

## Finefilter | BG1



Image shows:  
9.1311.931

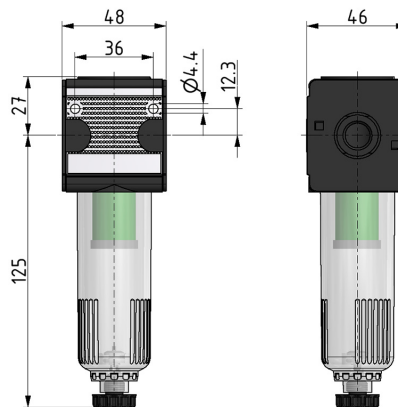
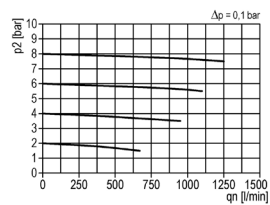
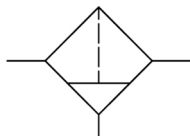


Image shows:  
9.1311.931

### flow characteristic



### symbol



### technical data

- description:** finefilter
- medium:** compressed air, neutral gases
- supply pressure P1 min.:** 1,5 bar
- supply pressure P1 max.:** 16 bar
- temperature range:** -10°C - +60°C
- bowl:** PC
- drain:** HA
- mounting:** vertical
- filter element:** 0,01 μm
- particle separation:** > 0,01 μm 99,999%
- residual oil concent:** 0,01 mg/m<sup>3</sup>

### accessories



mounting bracket: [ZW.11-1](#)

| type         | part-number | description  |
|--------------|-------------|--|
| FX.11 HA4    | 9.1311.931  | Finefilter G1/4 0,01μm with PC bowl and semi automatic drain                               |
| FX.11 AM10   | 9.1311.932  | Finefilter G1/4 0,01μm with PC bowl and automatic drain                                    |
| FX.11 HA4 B  | 9.1311.934  | Finefilter G1/4 0,01μm with PC bowl, bowl guard and semi automatic drain                   |
| FX.11 AM10 B | 9.1311.935  | Finefilter G1/4 0,01μm with PC bowl, bowl guard and automatic drain                        |
| FX.11 H HA3  | 9.1311.961  | Finefilter G1/4 0,01μm with metal bowl/visual display and semi automatic drain             |
| FX.11 H AM10 | 9.1311.962  | Finefilter G1/4 0,01μm (element X23/35) with metal bowl/visual display and automatic drain |

Service 3 unit

Service 2 unit

Filter regulator

Filter

Pressure regulator

Lubricator

System extensions

Accessories

Special products