

# Finefilter | BG3

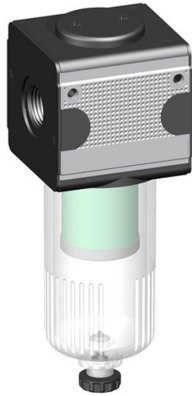


Image shows:  
9.1333.931

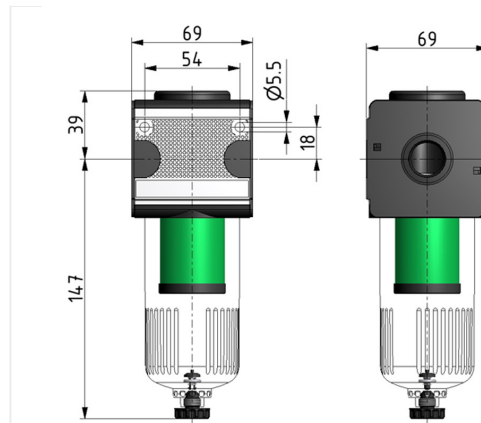
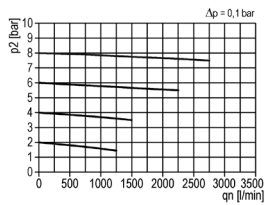
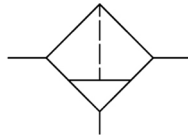


Image shows:  
9.1333.931

### flow characteristic



### symbol



### technical data

- description:** finefilter
- medium:** compressed air, neutral gases
- supply pressure P1 min.:** 1,5 bar
- supply pressure P1 max.:** 16 bar
- temperature range:** -10°C - +60°C
- bowl:** PC
- drain:** HA
- mounting:** vertical
- filter element:** 0,01 µm
- particle separation:** > 0,01 µm 99,999%
- residual oil concent:** 0,01 mg/m<sup>3</sup>

### accessories



mounting bracket: [ZW.33-1](#)



differential pressure display

differential pressure gauge:  
[DM 2](#)

type	part-number	description
FX.33 HA4	9.1333.931	Finefilter G1/2 0,01µm with PC bowl and semi automatic drain
FX.33 AM10	9.1333.932	Finefilter G1/2 0,01µm with PC bowl and automatic drain
FX.33 HA4 B	9.1333.934	Finefilter G1/2 0,01µm with PC bowl, bowl guard and semi automatic drain
FX.33 AM10 B	9.1333.935	Finefilter G1/2 0,01µm with PC bowl, bowl guard and automatic drain
FX.33 H HA3	9.1333.961	Finefilter G1/2 0,01µm with metal bowl/visual display and semi automatic drain
FX.33 H AM10	9.1333.962	Finefilter G1/2 0,01µm with metal bowl/visual display and automatic drain