

Finefilter | BG3

Service 3 unit

Service 2 unit



Image shows:
9.1333.952

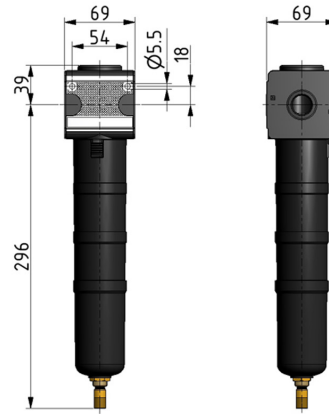
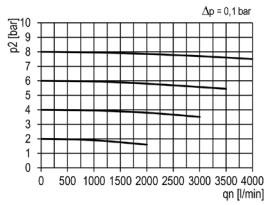


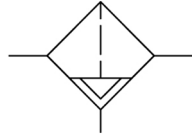
Image shows:
9.1333.952

Filter regulator

flow characteristic



symbol



Filter

Pressure regulator

technical data

- description:** finefilter
- medium:** compressed air, neutral gases
- supply pressure P1 min.:** 1,5 bar
- supply pressure P1 max.:** 16 bar
- temperature range:** -10°C - +60°C
- bowl:** metal bowl
- drain:** AM NO
- mounting:** vertical
- filter element:** 0,01 μm
- particle separation:** > 0,01 μm 99,999%
- residual oil concent:** 0,01 mg/m³

accessories



mounting bracket: [ZW.33-1](#)



differential pressure gauge:
[DM.2](#)

differential pressure display

Lubricator

System extensions

Accessories

type

FX.33 M AM10

part-number

9.1333.952

description

Finefilter G1/2 0,01 μm with metal bowl and automatic drain

Special products