

Finefilter | BG4



Image shows:
9.1344.934

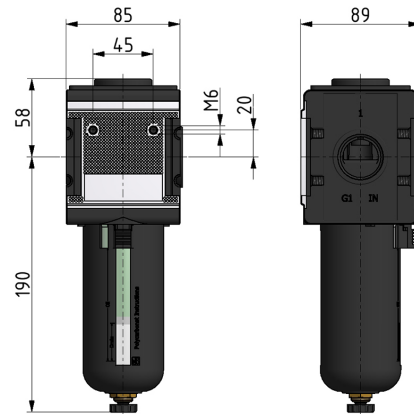
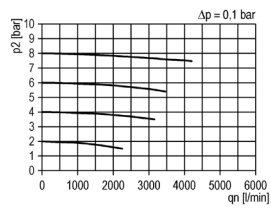
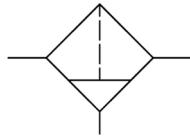


Image shows:
9.1344.934

flow characteristic



symbol



technical data

- **description:** finefilter
- **medium:** compressed air, neutral gases
- **supply pressure P1 min.:** 1,5 bar
- **supply pressure P1 max.:** 16 bar
- **temperature range:** -10°C - +60°C
- **bowl:** PC with PA bowl guard
- **drain:** HA3
- **mounting:** vertical
- **filter element:** 0,01 μm
- **particle separation:** > 0,01 μm 99,999%
- **residual oil concent:** 0,01 mg/m³

accessories



- mounting bracket: [ZW.45](#)



- differential pressure display

- differential pressure gauge: [DM.2](#)

type	part-number	description
FX.44 HA3 B	9.1344.934	Finefilter G3/4 0,01µm with PC bowl, bowl guard and semi automatic drain
FX.44 AM10 B	9.1344.935	Finefilter G3/4 0,01µm with PC bowl, bowl guard and automatic drain
FX.44 H HA3	9.1344.961	Finefilter G3/4 0,01µm with metal bowl/visual display and semi automatic drain
FX.44 H AM10	9.1344.962	Finefilter G3/4 0,01µm with metal bowl/visual display and automatic drain
FX.45 HA3 B	9.1345.934	Finefilter G1 0,01µm with PC bowl, bowl guard and semi automatic drain
FX.45 AM10 B	9.1345.935	Finefilter G1 0,01µm with PC bowl, bowl guard and automatic drain
FX.45 H HA3	9.1345.961	Finefilter G1 0,01µm with metal bowl/visual display and semi automatic drain
FX.45 H AM10	9.1345.962	Finefilter G1 0,01µm with metal bowl/visual display and automatic drain

Service 3 unit

Service 2 unit

Filter regulator

Filter

Pressure regulator

Lubricator

System extensions

Accessories

Special products