

Finefilter | BG5



Image shows:
9.1354.00.952

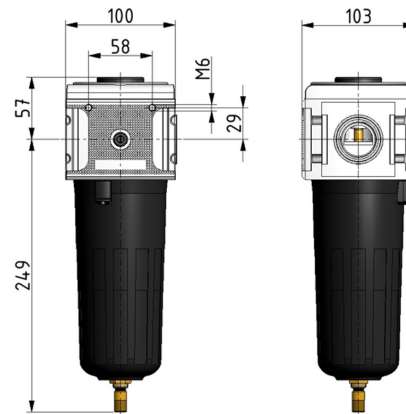
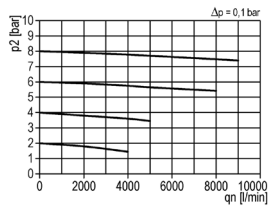
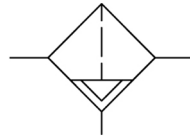


Image shows:
9.1354.00.952

flow characteristic



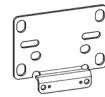
symbol



technical data

- description:** finefilter
- medium:** compressed air, neutral gases
- supply pressure P1 min.:** 1,5 bar
- supply pressure P1 max.:** 16 bar
- temperature range:** -10°C - +60°C
- bowl:** metal bowl
- drain:** AM NO
- mounting:** vertical
- filter element:** 0,01 µm
- particle separation:** > 0,01 µm 99,999%
- residual oil concent:** 0,01 mg/m³

accessories



mounting bracket: [ZW.55](#)

differential pressure display



differential pressure gauge:
[DM 2](#)

type

FX.54 M AM10

part-number

9.1354.00.952

description

Finefilter G3/4 0,01µm with metal bowl and automatic drain