

Finefilter | BG5



Image shows:
9.1355.00.952

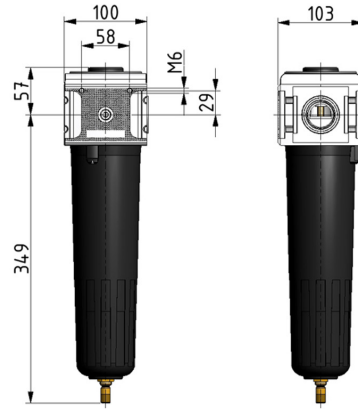
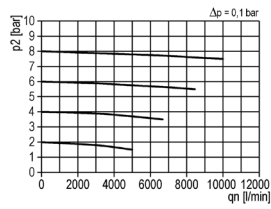
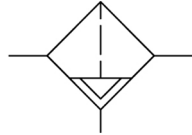


Image shows:
9.1355.00.952

flow characteristic



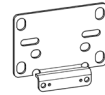
symbol



technical data

description: finefilter
medium: compressed air, neutral gases
supply pressure P1 min.: 1,5 bar
supply pressure P1 max.: 16 bar
temperature range: -10°C - +60°C
bowl: metal bowl
drain: AM NO
mounting: vertical
filter element: 0,01 μm
particle separation: > 0,01 μm 99,999%
residual oil concent: 0,01 mg/m³

accessories



mounting bracket: [ZW.55](#)

differential pressure display



differential pressure gauge: [DM.2](#)

type

FX.55 M AM10

part-number

9.1355.00.952

description

Finefilter G1 0,01 μm with metal bowl and automatic drain

Service 3 unit

Service 2 unit

Filter regulator

Filter

Pressure regulator

Lubricator

System extensions

Accessories

Special products