

## Active carbon filter | BG0



Image shows:  
9.1300.00.070

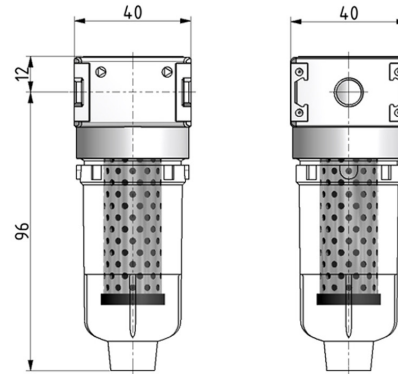
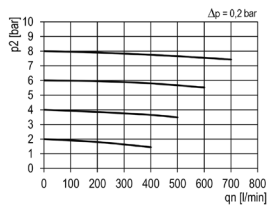
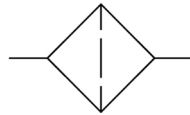


Image shows:  
9.1300.00.070

### flow characteristic



### symbol



### technical data

**description:** active carbon filter  
**medium:** compressed air, neutral gases  
**supply pressure P1 min.:** 0 bar  
**supply pressure P1 max.:** 16 bar  
**temperature range:** -10°C - +60°C  
**bowl:** PC  
**mounting:** vertical  
**residual oil concent:** 0,005 mg/m<sup>3</sup>

### accessories



coupling kit wall mounting:  
[ZW.00-1](#)

type	part-number	description
FA.00	9.1300.00.070	Activated carbon filter G1/8 (element A 23/60) with PC bowl
FA.00 M	9.1300.00.071	Activated carbon filter G1/8 (element A 23/60) with metal bowl
FA.01 M	9.1301.00.071	Activated carbon filter G1/4 (element A 23/60) with metal bowl
FA.01 B	9.1301.00.072	Activated carbon filter G1/4 (element A 23/60) with PC bowl and bowl guard