

Active carbon filter | BG0



Image shows:
9.1301.00.070

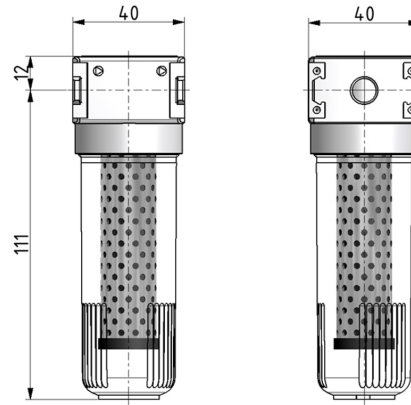
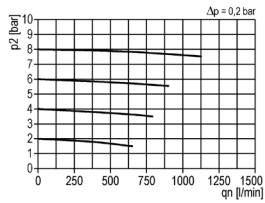
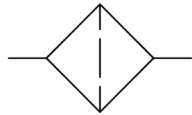


Image shows:
9.1301.00.070

flow characteristic



symbol



technical data

description: active carbon filter
medium: compressed air, neutral gases
supply pressure P1 min.: 0 bar
supply pressure P1 max.: 16 bar
temperature range: -10°C - +60°C
bowl: PC
mounting: vertical
residual oil concent: 0,005 mg/m³

accessories



coupling kit wall mounting:
[ZW.00-1](#)

type	part-number	description
FA.01	9.1301.00.070	Activated carbon filter G1/4 (element A 23/80) with PC bowl

Service 3 unit

Service 2 unit

Filter regulator

Filter

Pressure regulator

Lubricator

System extensions

Accessories

Special products