

Active carbon filter | BG1

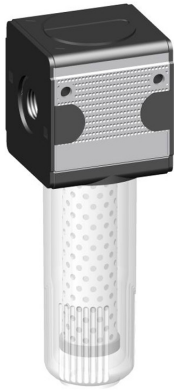


Image shows:
9.1311.970

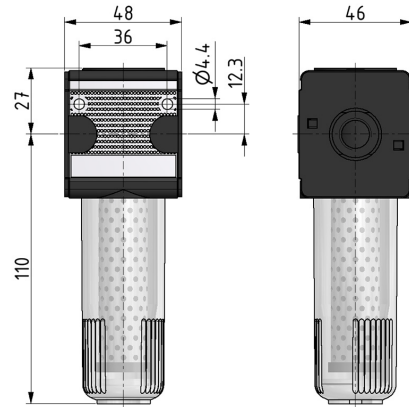
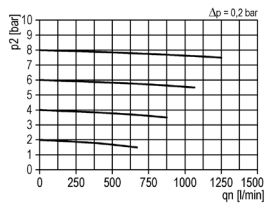
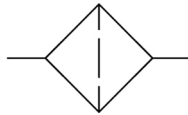


Image shows:
9.1311.970

flow characteristic



symbol



technical data

description: active carbon filter
medium: compressed air, neutral gases
supply pressure P1 min.: 0 bar
supply pressure P1 max.: 16 bar
temperature range: -10°C - +60°C
bowl: PC
mounting: vertical
residual oil concent: 0,005 mg/m³

accessories



mounting bracket: [ZW.11-1](#)

type	part-number	description
FA.11	9.1311.970	Activated carbon filter G1/4 with PC bowl
FA.11 M	9.1311.975	Activated carbon filter G1/4 with metal bowl