

Active carbon filter | BG3

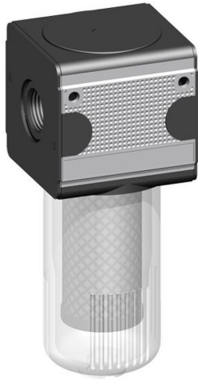


Image shows:
9.1333.970

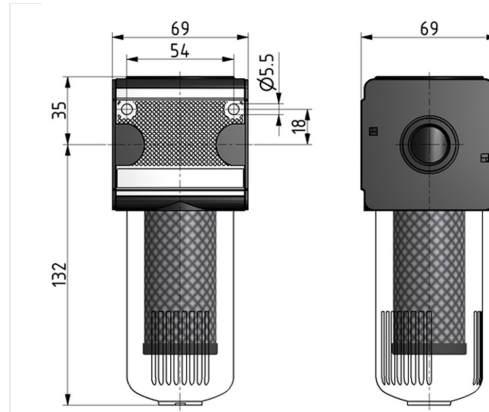
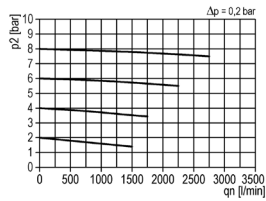
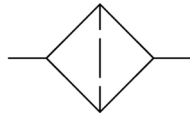


Image shows:
9.1333.970

flow characteristic



symbol



technical data

description: active carbon filter
medium: compressed air, neutral gases
supply pressure P1 min.: 0 bar
supply pressure P1 max.: 16 bar
temperature range: -10°C - +60°C
bowl: PC
mounting: vertical
residual oil concent: 0,005 mg/m³

accessories



mounting bracket: [ZW.33-1](#)

type	part-number	description
FA.33	9.1333.970	Activated carbon filter G1/2 with PC bowl
FA.33 B	9.1333.971	Activated carbon filter G1/2 with PC bowl and bowl guard

Service 3 unit

Service 2 unit

Filter regulator

Filter

Pressure regulator

Lubricator

System extensions

Accessories

Special products