

Active carbon filter | BG4



Image shows:
9.1344.971

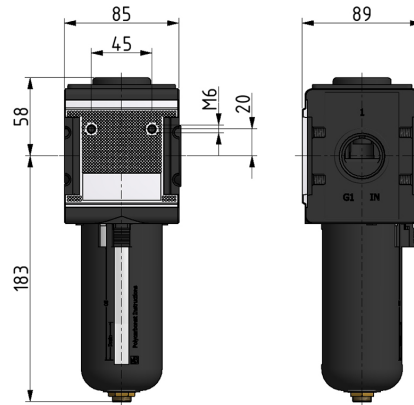
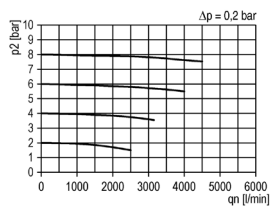
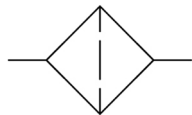


Image shows:
9.1344.971

flow characteristic



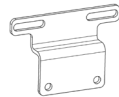
symbol



technical data

description: active carbon filter
medium: compressed air, neutral gases
supply pressure P1 min.: 0 bar
supply pressure P1 max.: 16 bar
temperature range: -10°C - +60°C
bowl: PC with PA bowl guard
mounting: vertical
residual oil concent: 0,005 mg/m³

accessories



mounting bracket: [ZW.45](#)

type	part-number	description
FA.44 B	9.1344.971	Activated carbon filter G3/4 with PC bowl and bowl guard
FA.45 B	9.1345.971	Activated carbon filter G1 with PC bowl and bowl guard

Service 3 unit

Service 2 unit

Filter regulator

Filter

Pressure regulator

Lubricator

System extensions

Accessories

Special products