

## Active carbon filter | BG5



Image shows:  
9.1354.00.974

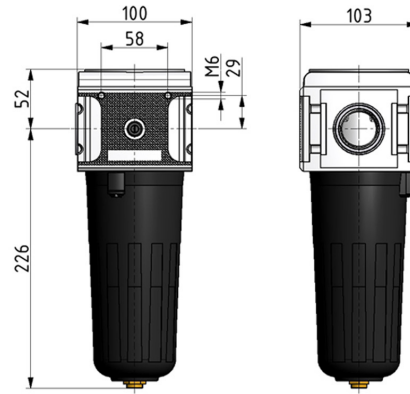
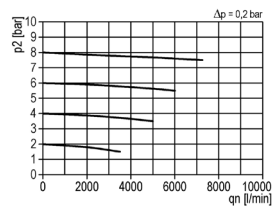
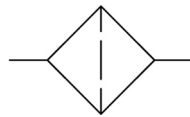


Image shows:  
9.1354.00.974

### flow characteristic



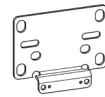
### symbol



### technical data

**description:** active carbon filter  
**medium:** compressed air, neutral gases  
**supply pressure P1 min.:** 0 bar  
**supply pressure P1 max.:** 20 bar  
**temperature range:** -10°C - +60°C  
**bowl:** metal bowl  
**mounting:** vertical  
**residual oil concent:** 0,005 mg/m<sup>3</sup>

### accessories



mounting bracket: [ZW.55](#)

### type

FA.54 M

### part-number

9.1354.00.974

### description

Activated carbon filter G3/4 with metal bowl