

Active carbon filter | BG5



Image shows:
9.1355.00.974

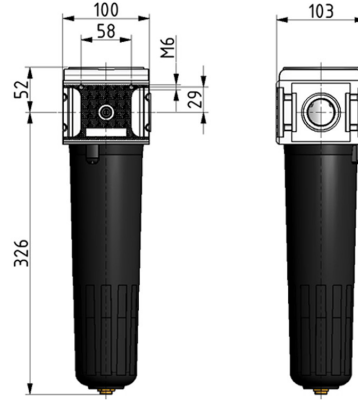
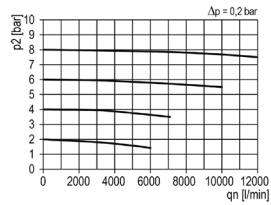
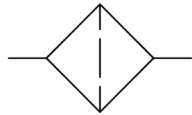


Image shows:
9.1355.00.974

flow characteristic



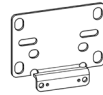
symbol



technical data

description: active carbon filter
medium: compressed air, neutral gases
supply pressure P1 min.: 0 bar
supply pressure P1 max.: 20 bar
temperature range: -10°C - +60°C
bowl: metal bowl
mounting: vertical
residual oil concent: 0,005 mg/m³

accessories



mounting bracket: [ZW.55](#)

type	part-number	description
FA.55 M	9.1355.00.974	Activated carbon filter G1 with metal bowl

Service 3 unit

Service 2 unit

Filter regulator

Filter

Pressure regulator

Lubricator

System extensions

Accessories

Special products