

Lubricator | BG3



Image shows:
9.2533.000

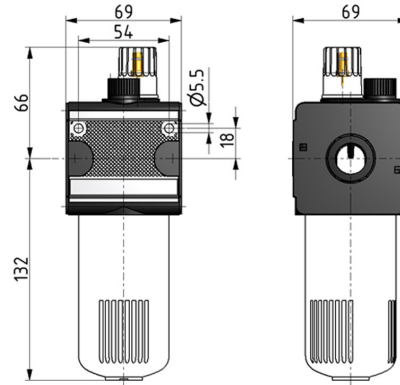
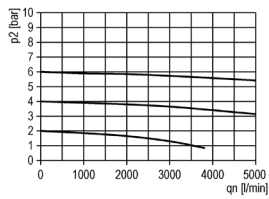
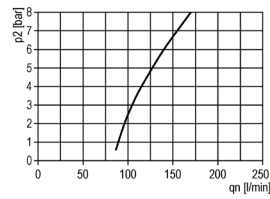


Image shows:
9.2533.000

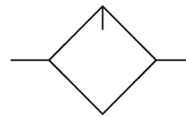
flow characteristic



lubricator operating limit



symbol



technical data

- description:** proportional lubricator
- medium:** compressed air, neutral gases
- supply pressure P1 max.:** 16 bar
- temperature range:** -10°C - +60°C
- bowl:** PC
- mounting:** vertical
- bowl volume lubricator:** 125 cm³
- oil type:** CL 32 DIN 51517 - ISO VG 32
- dome assembly:** PC
- oil fill in:** can be filled with oil during operation

accessories



mounting bracket: [ZW.33-1](#)

electrical level indicator
(version addition: N)

Metall-Tropfaufsatz L.33 H

type	part-number	description
L.33	9.2533.000	Lubricator G1/2 with PC bowl
L.33 H	9.2533.003	Lubricator G1/2 with metal bowl/visual display
L.33 B	9.2533.004	Lubricator G1/2 with PC bowl and bowl guard
L.34	9.2534.000	Lubricator G3/4 with PC bowl
L.34 H	9.2534.003	Lubricator G3/4 with metal bowl/visual display
L.34 B	9.2534.004	Lubricator G3/4 with PC bowl and bowl guard