

Lubricator | BG4



Image shows:
9.2544.002

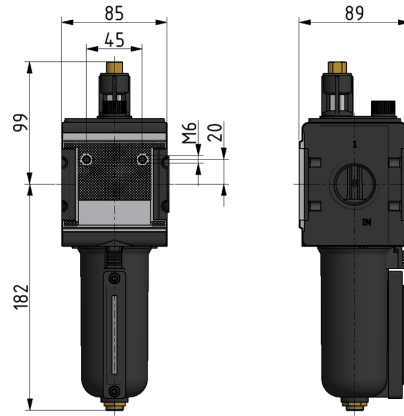
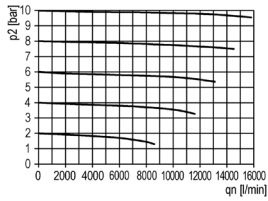
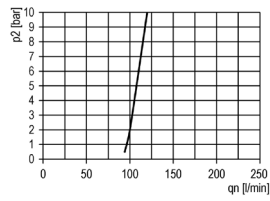


Image shows:
9.2544.002

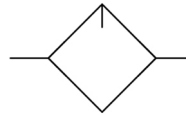
flow characteristic



lubricator operating limit



symbol



technical data

description: proportional lubricator
medium: compressed air, neutral gases
supply pressure P1 max.: 20 bar
temperature range: -10°C - +60°C
bowl: metal bowl with level indicator
mounting: vertical
bowl volume lubricator: 181 cm³
oil type: CL 32 DIN 51517 - ISO VG 32
dome assembly: PC
oil fill in: can be filled with oil during operation

accessories



mounting bracket: [ZW.45](#)

electrical level indicator
(version addition: N)

Metall-Tropfaufsatz L.33 H

type	part-number	description
L.44 H	9.2544.002	Lubricator G3/4 with metal bowl/visual display
L.44 B	9.2544.004	Lubricator G3/4 with PC bowl
L.45 H	9.2545.002	Lubricator G1 with metal bowl/visual display
L.45 B	9.2545.004	Lubricator G1 with PC bowl

Service 3 unit

Service 2 unit

Filter regulator

Filter

Pressure regulator

Lubricator

System extensions

Accessories

Special products