

# Lubricator | BG5

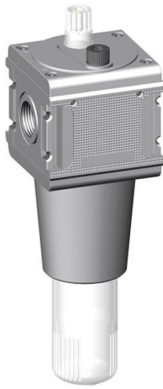


Image shows:  
9.2554.00.000

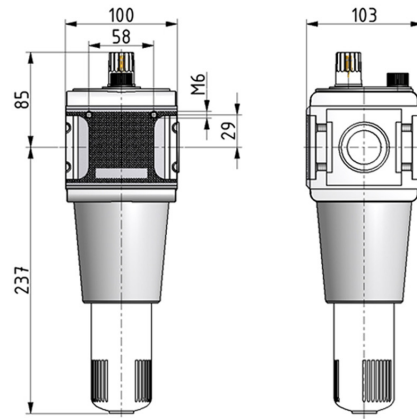
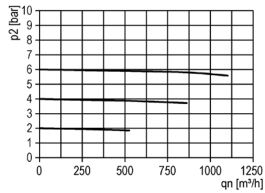
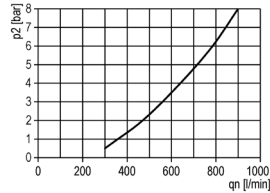


Image shows:  
9.2554.00.000

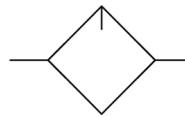
### flow characteristic



### lubricator operating limit



### symbol



### technical data

- description:** proportional lubricator
- medium:** compressed air, neutral gases
- supply pressure P1 max.:** 16 bar
- temperature range:** -10°C - +60°C
- bowl:** PC
- mounting:** vertical
- bowl volume lubricator:** 450 cm<sup>3</sup>
- oil type:** CL 32 DIN 51517 - ISO VG 32
- dome assembly:** PC
- oil fill in:** can be filled with oil during operation

### accessories



mounting bracket: [ZW.33-1](#)

electrical level indicator  
(version addition: N)

Metall-Tropfaufsatz L.33 H

type	part-number	description
L.54	9.2554.00.000	Lubricator G3/4 with PC bowl
L.54 H	9.2554.00.003/1	Lubricator G3/4 with metal bowl/visual display and PA dome
L.55	9.2555.00.000	Lubricator G1 with PC bowl
L.55 H	9.2555.00.003	Lubricator G1 with metal bowl/visual display
L.55 B	9.2555.00.004	Lubricator G1 with PC bowl and bowl guard