

Micro lubricator | BGO



Image shows:
9.2500.00.000

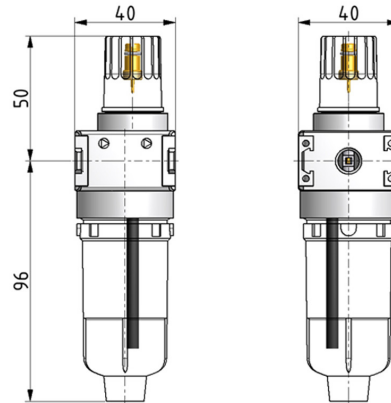
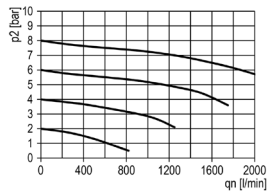
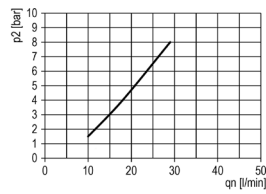


Image shows:
9.2500.00.000

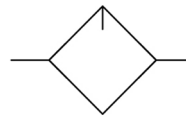
flow characteristic



lubricator operating limit



symbol



technical data

- description:** micro lubricator
- medium:** compressed air, neutral gases
- supply pressure P1 max.:** 16 bar
- temperature range:** -10°C - +60°C
- bowl:** PC
- mounting:** vertical
- bowl volume lubricator:** 35 cm³
- oil type:** CL 32 DIN 51517 - ISO VG 32
- dome assembly:** PC
- oil fill in:** cannot be filled with oil during operation

accessories



coupling kit wall mounting:
[ZW.00-1](#)

electrical level indicator
(version addition: N)

Metal-Tropfaufsatz L.33 H

type	part-number	description
L.00	9.2500.00.000	Micro lubricator G1/8 with PC bowl
L.00 M	9.2500.00.002	Micro lubricator G1/8 with metal bowl
L.00 B	9.2500.00.004	Micro lubricator G1/8 with PC bowl and bowl guard
L.01	9.2501.00.000	Micro lubricator G1/4 with PC bowl
L.01 M	9.2501.00.002	Micro lubricator G1/4 with metal bowl
L.01 B	9.2501.00.004	Micro lubricator G1/4 with PC bowl and bowl guard