

Micro lubricator | BG1



Image shows:
9.2511.200

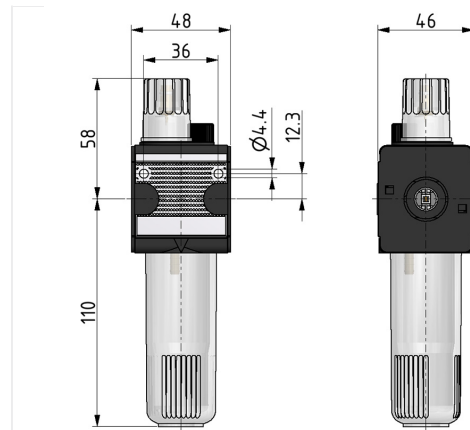


Image shows:
9.2511.200

Service 3 unit

Service 2 unit

Filter regulator

Filter

Pressure regulator

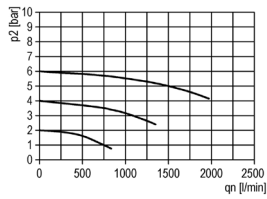
Lubricator

System extensions

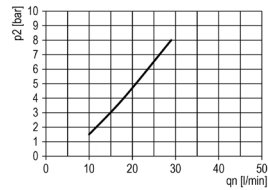
Accessories

Special products

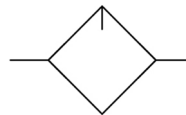
flow characteristic



lubricator operating limit



symbol



technical data

- description:** micro lubricator
- medium:** compressed air, neutral gases
- supply pressure P1 max.:** 16 bar
- temperature range:** -10°C - +60°C
- bowl:** PC
- mounting:** vertical
- bowl volume lubricator:** 50 cm³
- oil type:** CL 32 DIN 51517 - ISO VG 32
- dome assembly:** PC
- oil fill in:** cannot be filled with oil during operation

accessories



mounting bracket: [ZW.11-1](#)

electrical level indicator
(version addition: N)

Metall-Tropfaufsatz L.33 H

type	part-number	description
ML.11	9.2511.200	Micro lubricator G1/4 with PC bowl
ML.11 H	9.2511.203	Micro lubricator G1/4 with metal bowl/visual display
ML.11 B	9.2511.204	Micro lubricator G1/4 with PC bowl and bowl guard