

Micro lubricator | BG3



Image shows:
9.2533.00.200

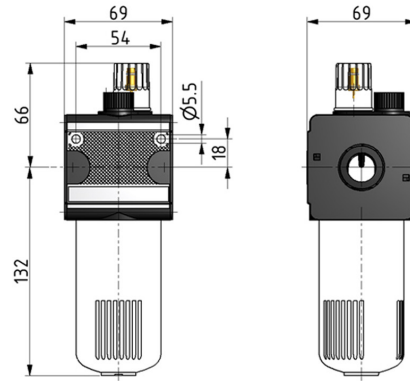
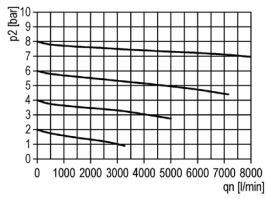
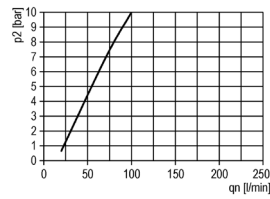


Image shows:
9.2533.00.200

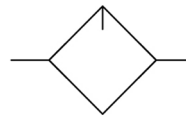
flow characteristic



lubricator operating limit



symbol



technical data

- description:** micro lubricator
- medium:** compressed air, neutral gases
- supply pressure P1 max.:** 16 bar
- temperature range:** -10°C - +60°C
- bowl:** PC
- mounting:** vertical
- bowl volume lubricator:** 125 cm³
- oil type:** CL 32 DIN 51517 - ISO VG 32
- dome assembly:** PC
- oil fill in:** cannot be filled with oil during operation

accessories



mounting bracket: [ZW.33-1](#)

electrical level indicator
(version addition: N)

Metall-Tropfaufsatz L.33 H

type	part-number	description
ML.33	9.2533.00.200	Micro lubricator G1/2 with PC bowl
ML.33 H	9.2533.00.203	Micro lubricator G1/2 with metal bowl/visual display
ML.33 B	9.2533.00.204	Micro lubricator G1/2 with PC bowl and bowl guard