

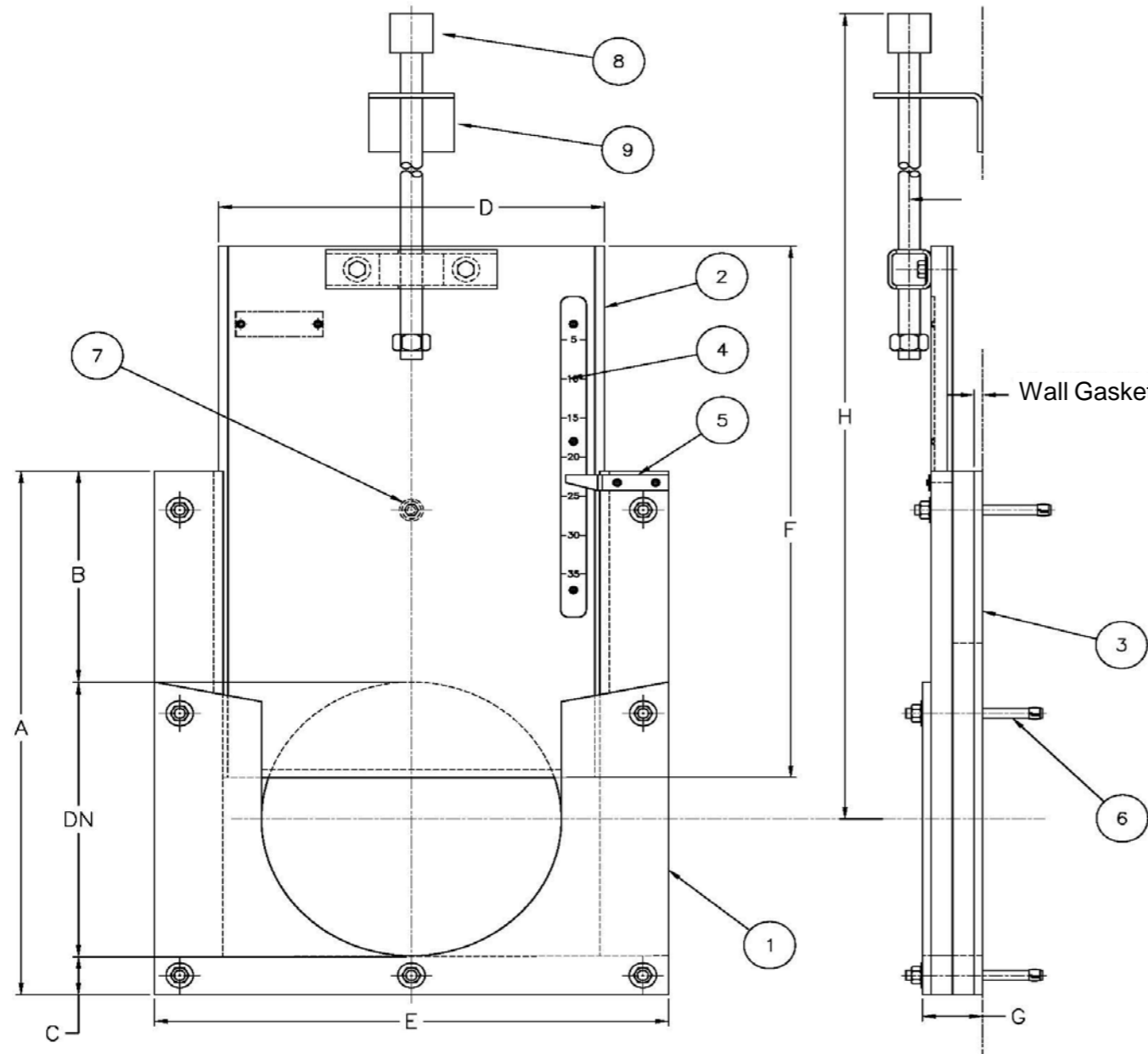
Project Name:

FluidGate Control Valve - General Drawing



FluidGate model	FG-900 Type S	
Site identification		
Design Flow	TO CONFIRM	cfs
Design Head	TO CONFIRM	in
Minimum Catchbasin	63 in	x 80 in
Weight	452	lbs

Item	Description	Qty	Material
1	Frame	1	PVC
2	Gate	1	PVC
3	Wall Gasket	1	Neoprene
4	Ruler	1	Stainless 304
5	Pointer	1	Stainless 304
6	Anchor $\varnothing$ 1/2"	20	Stainless 304
7	Anchor $\varnothing$ 3/8"	1	Stainless 304
8	Threaded Rod with Nut	1	Stainless 304
9	Support	1	Stainless 304



Dimensions	
DN (in)	36
A (in)	55.5
B (in)	17.7
C (in)	2.4
D (in)	37.7
E (in)	43.3
F (in)	56.3
G (in)	2.3
H (in)	110.0

NOTE: FOR INFORMATION ONLY/ NOT TO SCALE