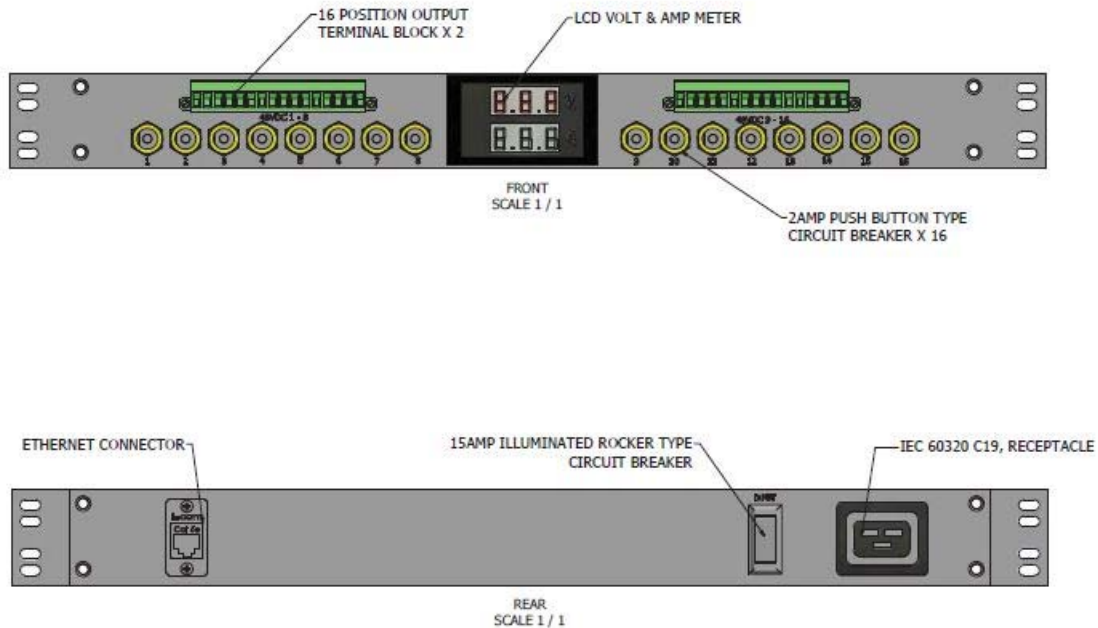


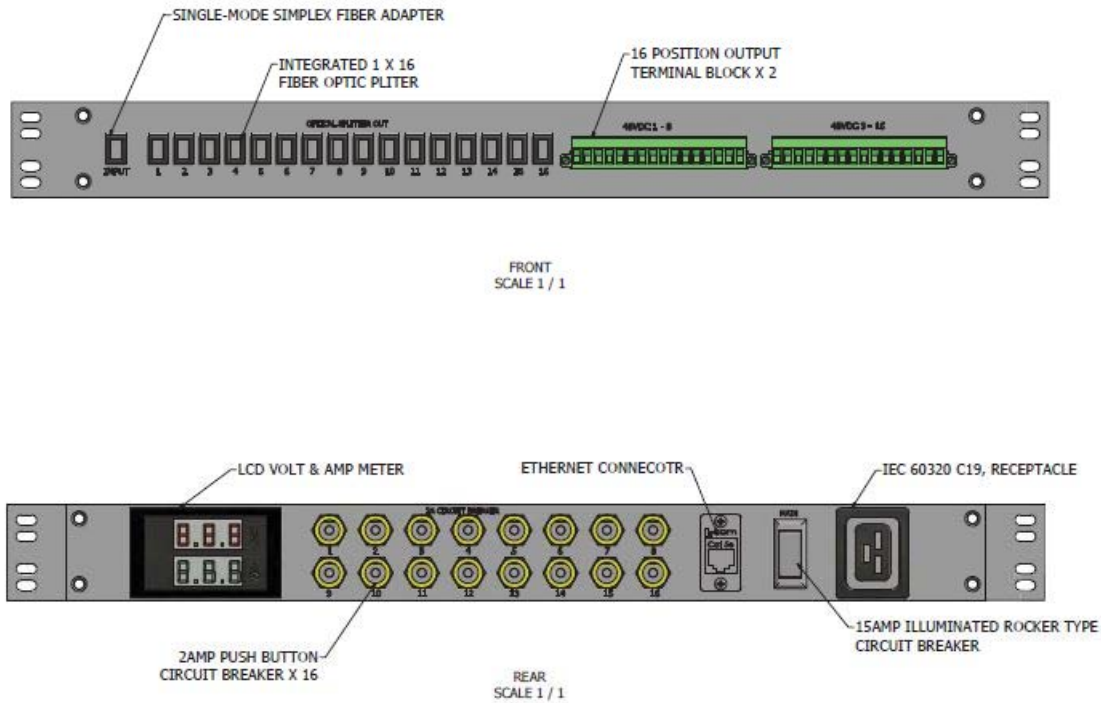
16 OUTPUT POL PDU



EPS-2000-16-RM-AC

- (16) INDIVIDUALLY PROTECTED 100W 50VDC OUTPUTS
- 120/240VAC INPUT (DC INPUT Models Q4 2016)
- ON BOARD CHASSIS POWER AND CURRENT INDICATOR
- OPTIONAL ETHERNET OR 802.11 CONNECTIVIITY FOR REMOTE POWER MONITORING
- 1RU RACK OR WALL MOUNTABLE

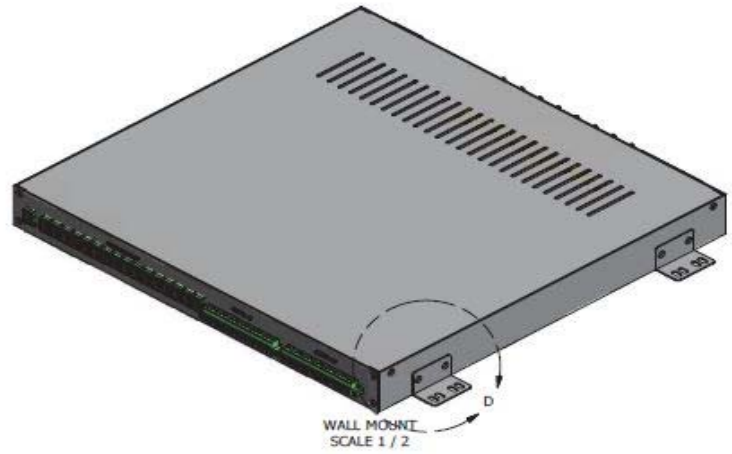
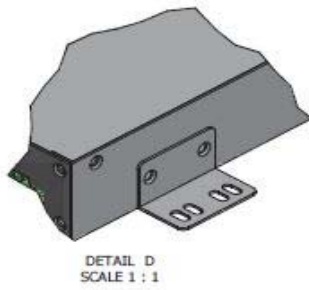
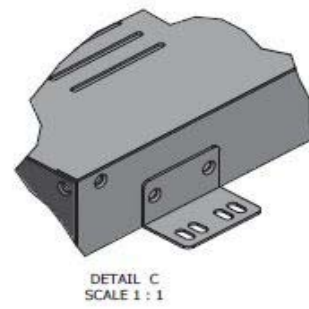
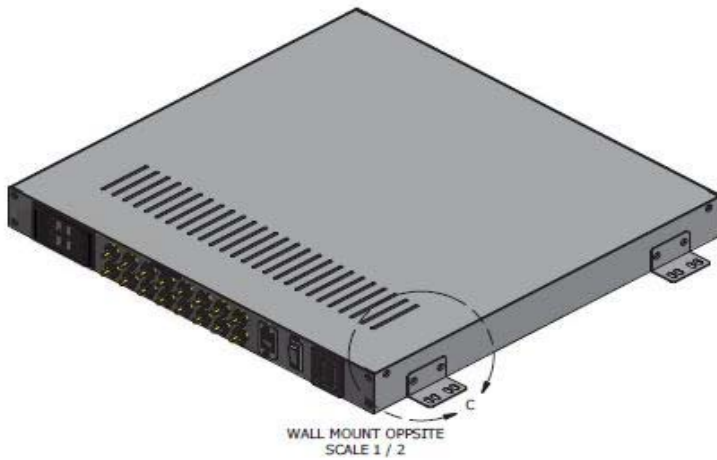
16 OUTPUT POL PDU WITH INTEGRATED FIBER OPTIC SPLITTER



EPS-2000-16-RM-1X16-AC

- (16) INDIVIDUALLY PROTECTED 100W 50VDC OUTPUTS
- 120/240VAC INPUT (DC INPUT Models Q4 2016)
- INTEGRATED 1X16 OR 2X16 FIBER OPTIC SPLITTER
- ON BOARD CHASSIS POWER AND CURRENT INDICATOR
- OPTIONAL ETHERNET OR 802.11 CONNECTIVITY FOR REMOTE POWER MONITORING
- 1RU RACK OR WALL MOUNTABLE

WALL MOUNT OPTIONS





ESP-2000-16 SERIES PRODUCT LIST

PART NUMBER	PRODUCT DESCRIPTION
EPS-2000-16-RMW-1X16-AC	16 Port GPON Power Supply with integrated 1x16 splitter and wireless (802.11) remote monitoring
EPS-2000-16-RM-1X16-AC	16 Port GPON Power Supply with integrated 1x16 splitter and ethernet remote monitoring
EPS-2000-16-RMW-AC	16 Port GPON Power Supply with wireless (802.11) remote monitoring (No Splitter)
EPS-2000-16-RM-AC	16 Port GPON Power Supply with ethernet remote monitoring (No Splitter)
EPS-2000-16-1x16-AC	16 Port GPON Power Supply with integrated 1x16 splitter (No Remote Monitoring)
EPS-2000-16-AC	16 Port GPON Power Supply (No Splitter / No Remote Monitoring)

sales@edgepowersolutions.net

Phone: 844-5-EDGE-4U (844-533-4348)

Fax: 321-622-5605