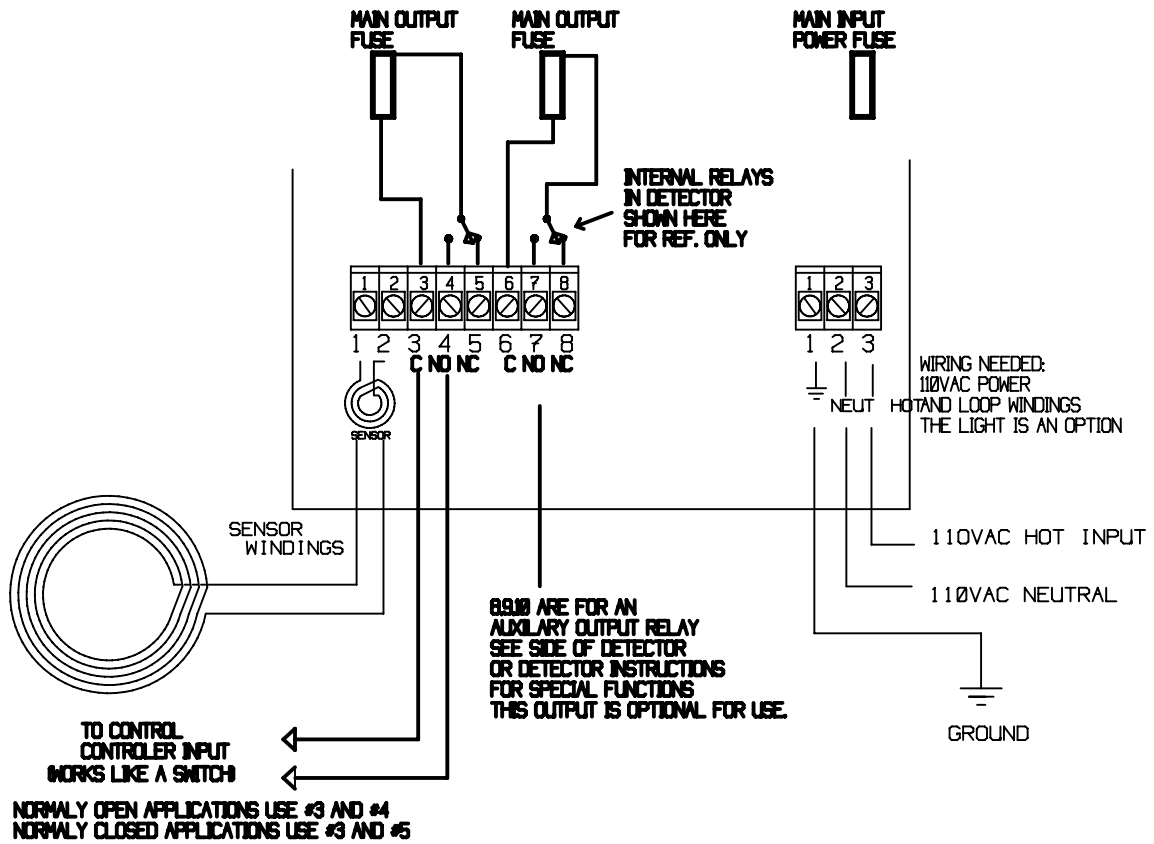


# WIRING DIAGRAMS GL-DB1 REV.B



## GL-DB1 CONTROL BOX WIRING FOR TWO SENSORS

