

SIZE CODES

"H" HEIGHT	WIDTH "W"	SIZE CODES					
		05W	10W	15W	20W	25W	30W
15"	17 3/4"	15"	27"	39"	51"	63"	75"

05H	17 3/4"
10H	29 3/4"
15H	47 1/2"
20H	59 1/2"
25H	77 1/4"
30H	89 1/4"
35H	107"
40H	119"

SIZE CODE NOTE: TO DETERMINE SIZE CODE OF DESIRED HOUSING, 05 SIZED UNITS REPRESENT A 12" ACTUAL SIZE HEPA FILTER AND 10 SIZED UNITS REPRESENT A 24" ACTUAL SIZED HEPA FILTER.
IE: A 10HX15W UNIT WOULD ACCOMMODATE (1) 24"X24"X11-1/2" HEPA FILTER AND (1) 24"X12"X11-1/2" HEPA FILTER PLACED SIDE BY SIDE.

AVAILABLE DEPTHS	DEPTH "D"
HEPA ONLY (SINGLE DOOR)	24"
2" PREFILTER AND HEPA (SINGLE DOOR)	27"
STANDARD TWO DOOR AVAILABLE WITH 2", 4", OR 6" PREFILTER	36 1/2"

ORDER DETAILS

ITEM#	HEIGHT	WIDTH	DEPTH	QTY. REQ'D
1				
2				
3				
4				
5				
<i>EX.</i>	<i>20H</i>	<i>15W</i>	<i>36 1/2</i>	<i>3</i>

STANDARD OPTIONS

(CHECK IF APPLICABLE)

FILTER SEAL TYPE

- GASKET SEAL
- FLUID SEAL

PREFILTER SIZE

- NO PREFILTER
- 2" (NOM.)
- 4" (NOM.)
- 6" (NOM.)

MATERIAL

- T-304 STAINLESS
- T-316 STAINLESS
- L GRADE
- ALUMINIZED STEEL

DOORS

- RIGHT HAND (STANDARD)
- LEFT HAND
- DOORS ON BOTH SIDES

FLANGES

- PLAIN (STANDARD)
- DRILLED (REF. CSD-019)
 - UPSTREAM
 - DOWNSTREAM

TRANSITIONS

- UPSTREAM
- DOWNSTREAM
- SQUARE COLLAR: H/W ____X____
- ROUND COLLAR: ID _____

HIGH TEMP GASKET

- YES

STATIC PRESSURE PORTS

(REF. CSD-020)

- PORTS ONLY (PLUGGED)
- WITH GAGES
 - FACTORY MOUNTED
 - SHIP LOOSE
 - PREFILTER GAGE
 - HEPA GAGE
 - OVERALL GAGE
 - MAGNEHELIC
 - PHOTOHELIC

- NEMA 4 GAGE BOX
- WEATHER PROOF GAGE BOX

INSULATION

- 2" THICK, FOIL BACKED DOUBLE WALL CONSTRUCTION

WEATHER COVER

- STANDARD, INTERMITTENTLY WELDED AND CAULKED

LIFTING LUGS

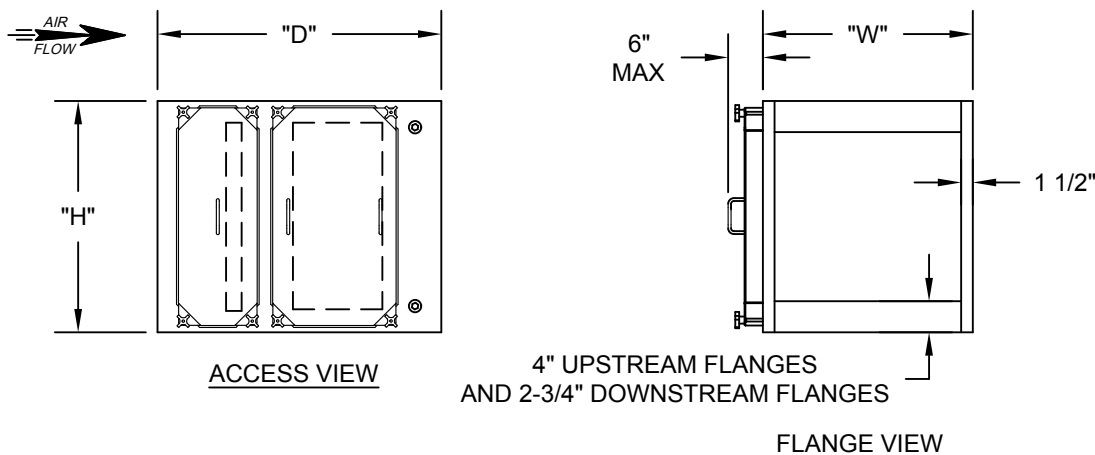
- 2
- 4

AIR FLOW DIRECTION

- HORIZONTAL (STANDARD)
- UPWARD VERTICAL FLOW
- DOWNWARD VERTICAL FLOW

TEST PORT (3/8" NPT)

- UPSTREAM OF PREFILTER
- BETWEEN PRE AND FINAL FILTER
- DOWNSTREAM OF FINAL FILTER



STANDARD SPECS:

- UNIT SHALL BE MANUFACTURED FROM 12 AND 14 GAUGE MATERIAL.
- ALL HARDWARE WILL BE 300 SERIES S/S EXCEPT THE ALUMINUM STAR KNOBS.
- ALL UNITS TESTED BY ASME N510, 1989, 1995 REAFFIRMED TO ±10" W.G.
- ALL UNITS ARE DESIGNED FOR 24"X24"X11-1/2" OR 24"X12"X11-1/2" ACTUAL SIZED HEPA FILTERS AND 24"X24"X(2, 4, OR 6)" OR 24"X12"X(2, 4, OR 6)" NOMINAL SIZED PREFILTERS.
- UNITS OVER 30W CAN BE MANUFACTURED BY COMBINING SMALLER UNITS TOGETHER BACK TO BACK. CONTACT THE MANUFACTURER FOR MORE INFORMATION.

STANDARD GAGE OPTIONS:

UNLESS OTHER GAGES ARE SPECIFIED (REFER TO SHEET CSD-020), PREFILTER GAGES SHALL BE A MAGNEHELIC 2002 OR PHOTOHELIC A3002, THE HEPA GAGES SHALL BE A MAGNEHELIC 2004 OR PHOTOHELIC A3004, AND THE OVERALL GAGES SHALL BE A MAGNEHELIC 2005 OR PHOTOHELIC A3005. UNLESS OTHERWISE NOTED, THE GAGE TUBING SHALL BE COPPER WITH BRASS FITTINGS.

CUSTOMER INFORMATION

IF YOU DO NOT SEE THE OPTIONS YOU REQUIRE, THE MANUFACTURER CAN CUSTOM DESIGN YOUR HOUSING TO NEARLY ANY SIZE AND SPECIFICATION.

REV.	DRAWN BY DATE	DESCRIPTION:	APPR. BY DATE
<p>THE DEVICE DEPICTED AND DESCRIBED HEREON EMBODIES PROPRIETARY INFORMATION OWNED BY P&G MANUFACTURING INC. ALL DESIGN, MANUFACTURING, REPRODUCTION, SALES, AND PATENT RIGHTS REGARDING THIS DEVICE OR DRAWING ARE RESERVED EXCEPT WHERE EXPLICIT RIGHT IS GRANTED IN WRITING.</p>		<p>UNLESS OTHERWISE SPECIFIED</p> <ul style="list-style-type: none"> • ALL DIMENSIONS ARE IN INCHES • TOLERANCES FRACTION: ±1/8" ARE: DECIMAL: ±.125" ANGULAR: ±1° 	

BAG-IN/BAG-OUT CONTAINMENT

P&G MANUFACTURING

WASHINGTON N.C. 27889
PHONE NO.: 252-946-9110
FAX NO.: 252-946-4823



SALES DRAWING

DRAWN BY: WMA	DATE: 5/7/2010	DWG SCALE: NTS	
APPROVED BY: JWW	DATE: 6/29/10	DRAWING NO.: CSD-013	SHEET 1 OF 1 REV. A

DIMSCALE: 24" TEXT HEIGHT: