

# NSB 210FT *Red Battery*

Long float life at elevated temper



# NSB 210FT Red Battery®

## Nominal Technical Specifications



### Electrical

	International Standard 20°C (68°F)	North American Standard 25°C (77°F)
8 hour capacity to 1.75 VPC	207 Ah	210 Ah
10 hour capacity to 1.80 VPC	209 Ah	212 Ah
Float Voltage	2.29 +/- 0.02 VPC	2.27 +/- 0.02 VPC
Nominal Voltage	12 V	
Impedance (1kHz)	2.7 mΩ @ 25°C (77°F)	
Conductance	2,038 S	
Short Circuit Current	> 6,000 A	

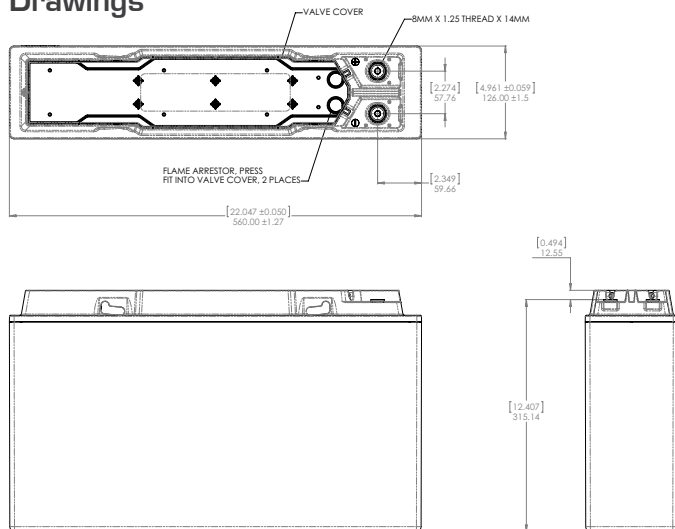
### Dimensions

Height	328 mm (12.9 in)	Weight	66 kg (145 lbs)
Width	126 mm (4.96 in)	Terminal	Female M8 x 1.25
Depth	560 mm (22.0 in)	Terminal Torque	8.0 Nm (71 in-lbs)

### Ah Capacity Ratings @ 25°C (77°F)

Capacity Discharge / hours	1	2	4	8	10
Capacity @ 25°C / Ah	156	176	195	209	212
End of Discharge / VPC	1.70	1.75	1.75	1.75	1.80

### Drawings



All NorthStar batteries are compliant with: Telcordia SR4228, IEC 60896; Bellcore GR-63-Core, Issue 1; British, German, and Russian telecom standards; UL approved. NorthStar is registered to ISO 9001 and ISO 14001.

#### NorthStar Americas

NorthStar Battery Company LLC  
4000 Continental Way  
Springfield, MO, 65803,  
United States of America  
info@northstarbattery.com  
Tel: +1 417 575 8200  
Fax: +1 417 575 8250

#### NorthStar Europe

SiteTel Sweden AB  
Staffans Väg 8  
SE-192 07 Sollentuna,  
Stockholm, Sweden  
europe@northstarbattery.com  
Tel: +46 8 410 102 00  
Fax: +46 8 638 06 00

#### NorthStar Middle East, Africa

SiteTel Sweden AB JTL Branch  
Office 702, Saba 1 Tower  
Jumeirah Lake Towers, Dubai  
United Arab Emirates  
mea@northstarbattery.com  
Tel: +971 4 423 8060  
Fax: +971 4 423 8061

#### NorthStar Asia-Pacific

NS Asia Pacific Sdn. Bhd.  
B2-3A-13A, Solaris Dutamas  
No. 1, Jalan Dutamas 1, 50480  
Kuala Lumpur, Malaysia  
asia@northstarsitetel.com  
Tel: +60 3 6419 0711

