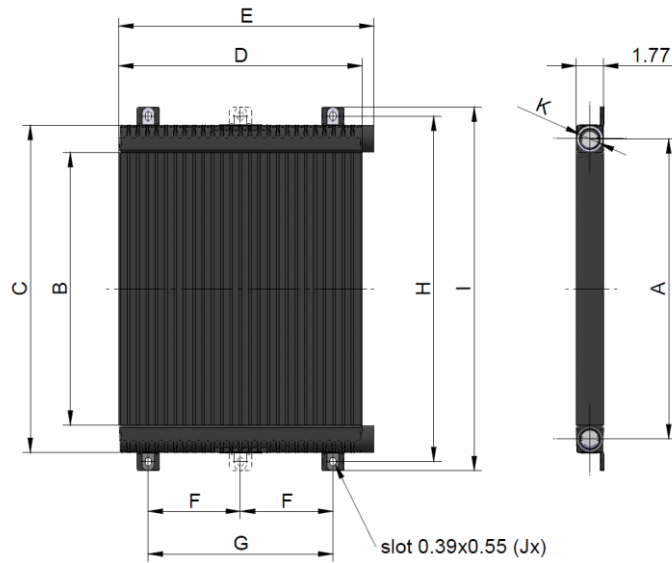


12 SERIES

multi purpose radiators

The 12 series radiators are very successful in the market with a high recommendation through various applications and branches. The plate and bar design with its proven quality are built to the same standards as on our other standard range coolers.

Dimensions

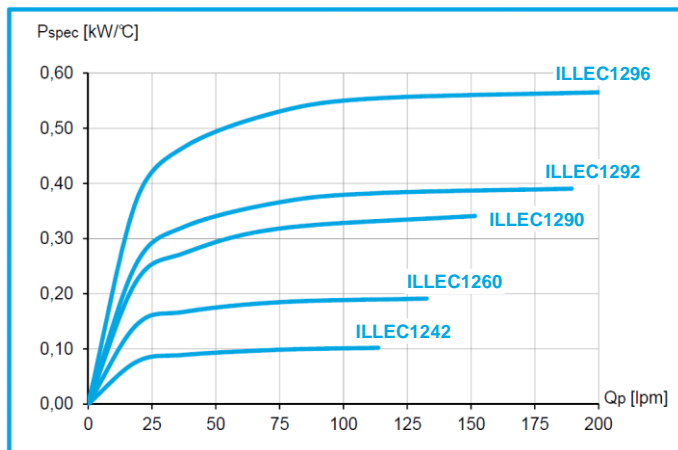


Technical Data

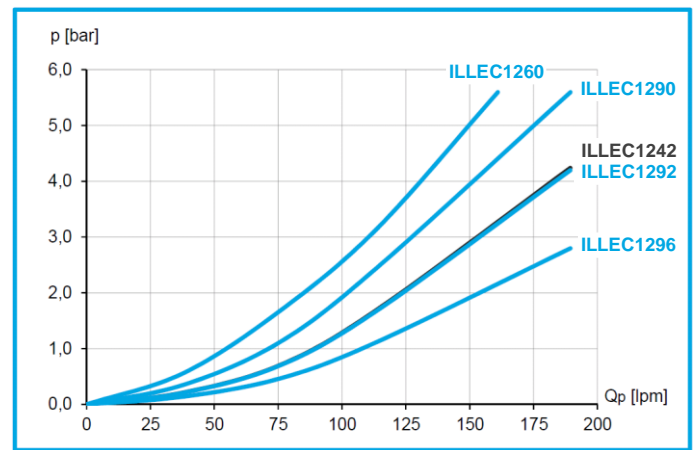
| order number | A | B | C | D | E | F | G | H | I | J | K | weight |
|--------------|------|------|------|------|------|-------|-------|------|-------|---|-----|--------|
| | [in] | [in] | [in] | [in] | [in] | [in] | [in] | [in] | [in] | | SAE | [lbs] |
| ILLEC1242 | 285 | 240 | 330 | 200 | 220 | - | 152,4 | 362 | 386,8 | 4 | #16 | 2,63 |
| ILLEC1260 | 495 | 450 | 540 | 200 | 220 | - | 152,4 | 597 | 597 | 4 | #16 | 3,74 |
| ILLEC1290 | 495 | 450 | 540 | 300 | 320 | - | 203,2 | 597 | 597 | 4 | #16 | 5,35 |
| ILLEC1292 | 495 | 450 | 540 | 400 | 420 | 152,4 | 304,8 | 597 | 597 | 6 | #16 | 7,01 |
| ILLEC1296 | 490 | 440 | 540 | 600 | 630 | 254 | 508 | 597 | 597 | 6 | #20 | 11,57 |

Performance

specific cooling performance at 7,5m/s air flow



pressure drop at 30cSt



Characteristics

| | |
|--------------------------|-----------------|
| maximum oil temperature | 212°F |
| maximum working pressure | 370PSI (static) |
| radiator material | aluminum |

This data sheet shows a technical overview of our products. Please contact us if more exact information is needed. As we are constantly improving our products, their characteristics, dimensions and weights may also change, although we do our best to incorporate these changes continually. The information in this data sheet is intended to be used as a first general guideline only, asa assumes no liability for any information therein, any errors, omissions, misprints, nor any direct or indirect damages, losses or costs resulting therefrom. The cooling performance and the general technical values indicated in this catalogue are measured at a test bench according to asa testing procedures. Because there is no standardized testing procedure, tests used by other manufacturers could have different results. Due to different conditions in testing and application environments the cooling performance may also vary by +/- 15%. Therefore we recommend all coolers to be checked under the system operating conditions. This is also true of vibrations and mechanical stress as well as for pressure peaks and thermal stress and any other relevant factors.