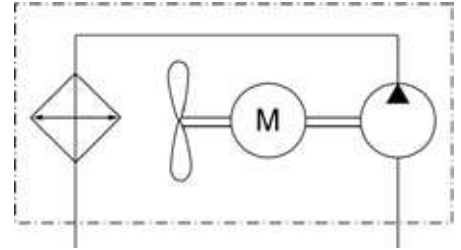


General Data And Details

The oil / air coolers of our CC series are autonomous cooling systems with an integrated circulation pump. They work as a separate cooling unit or as a filter cooling unit with an adequate filter. The benefits of such circulation coolers are a constant cooling performance and a higher durability, because there are no pressure vibrations or peaks in the cooler unit.

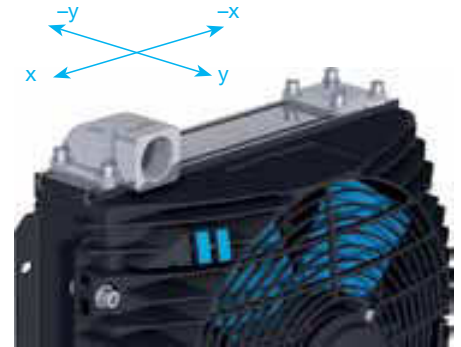
Conditions of use:

Maximum oil temperature: 100°C, maximum air temperature: 50°C. Motors can be used up to an altitude of 1.500m. For other conditions of use please contact our engineers.

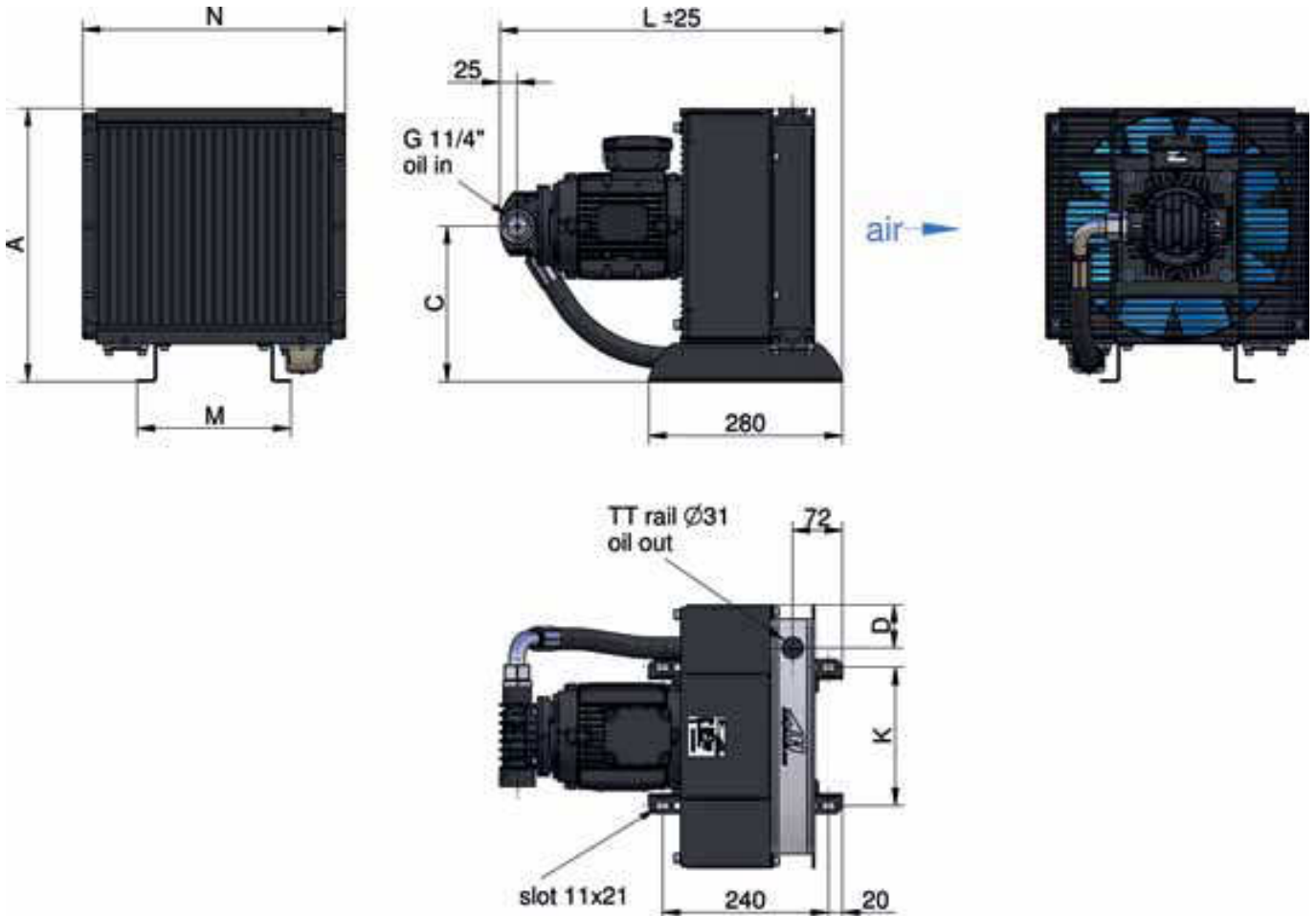


Connection asa rail

The asa rail system is the first worldwide flexible mounting and connection system for air blast heat exchangers. It gives you the free choice of the connector direction through turnable ports. The rail slots in the radiator are the frame structure not only for connecting the ports, but also for various possible mounting arrangements such as bypass systems, mounting of the cooler to aggregates, measurement devices and much more. Please contact us to discover the huge potential of this system for your application.

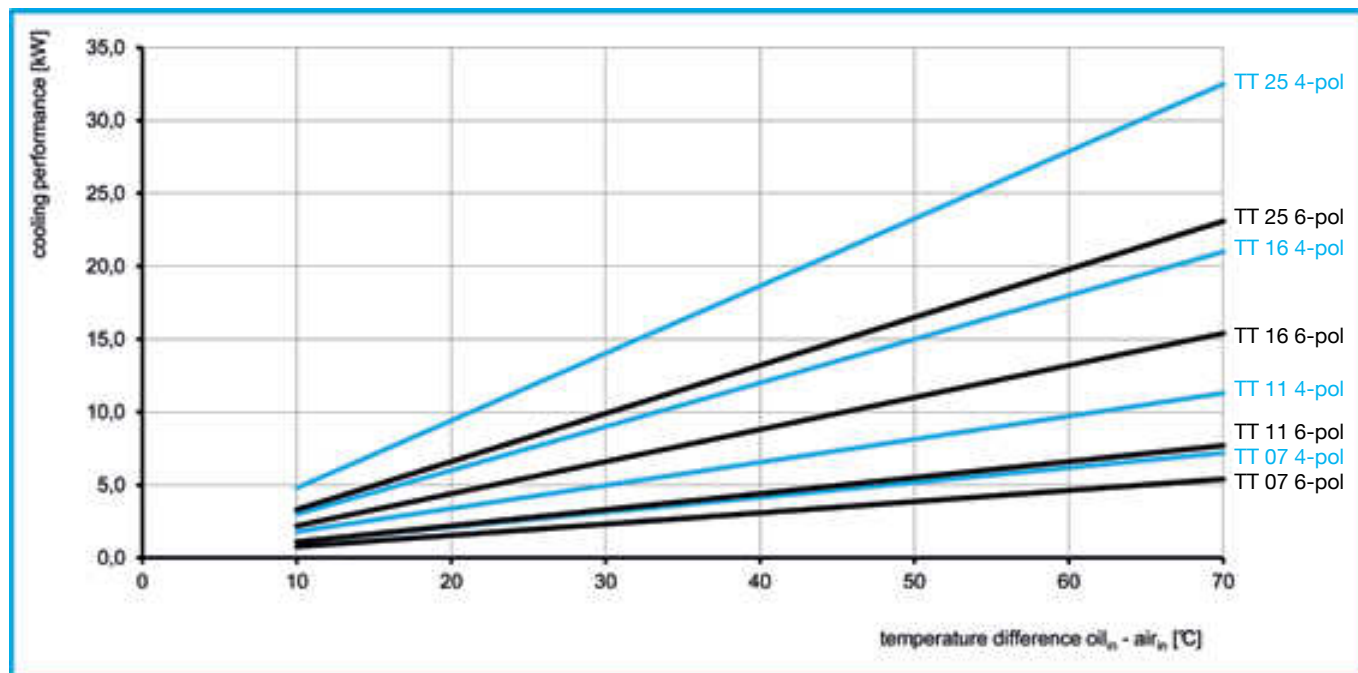


Scale Drawing



This data sheet shows a technical overview of our products. Please contact us if more exact information is needed. As we are constantly improving our products, their characteristics, dimensions and weights may also change, although we do our best to incorporate these changes continually. The information in this data sheet is intended to be used as a first general guideline only. asa assumes no liability for any information therein, any errors, omissions, misprints, nor any direct or indirect damages, losses or costs resulting therefrom. The cooling performance and the general technical values indicated in this catalogue are measured at a test bench according to asa testing procedures. Because there is no standardized testing procedure, tests used by other manufacturers could have different results. Due to different conditions in testing and application environments the cooling performance may also vary by +/- 15%. Therefore we recommend all coolers to be checked under the system operating conditions. This is also true of vibrations and mechanical stress as well as for pressure peaks and thermal stress and any other relevant factors.

Performance



Technical Data

description	order number	oil flow	max. working pressure	motor power	motor current	rotation	air flow	noise level	weight	A	C	D	K	L	M	N
		[lpm]	[bar]	[kW]	[A]	[rpm]	[kg/s]	[dB(A)]	[kg]	[mm]	[mm]	[mm]	[mm]	[mm]	[mm]	[mm]
TT 07 rail CC 4-pol	ASATT07RA47CC	30	10	0,75	1,81	1430	0,28	65	25,2	355	205	72	135	493	157	320
TT 11 rail CC 4-pol	ASATT11RA47CC	30	10	0,75	1,81	1430	0,35	68	29,6	395	225	62	200	495	222	380
TT 16 rail CC 4-pol	ASATT16RA47CC	30	10	0,75	1,81	1430	0,72	74	34,4	520	288	65	200	511	222	460
TT 25 rail CC 4-pol	ASATT25RA47CC	30	7	0,75	1,81	1430	1,08	79	44,1	660	358	68	300	511	322	558
TT 07 rail CC 6-pol	ASATT07RA66CC	20	9	0,37	1,22	925	0,19	57	26	355	205	72	135	493	157	320
TT 11 rail CC 6-pol	ASATT11RA66CC	20	9	0,37	1,22	925	0,26	58	30,4	395	225	62	200	495	222	380
TT 16 rail CC 6-pol	ASATT16RA66CC	20	8	0,37	1,22	925	0,52	65	35,2	520	288	65	200	511	222	460
TT 25 rail CC 6-pol	ASATT25RA66CC	20	7	0,37	1,22	925	0,76	68	44,9	660	358	68	300	511	322	558

The maximum suction pressure is -0,4 bar. The viscosity range is <100cSt. Motor voltage: 230/400V @ 50Hz*. The protection level is IP55.

Design

radiator material	aluminium
radiator air fin shape	wavy
pump type	gerotor
pump material (housing)	aluminium
sheet metal material	powder coated steel
suitable fluids	mineral oil



Connection (BSP 1")

ILLZATT53G25K	1 per cooler required
---------------	-----------------------

Options

asa rail connector	BSP 1 1/4"
temperature switch	50°C, 60°C
motor data*	alternative voltages, frequencies, protection levels, etc on request

This data sheet shows a technical overview of our products. Please contact us if more exact information is needed. As we are constantly improving our products, their characteristics, dimensions and weights may also change, although we do our best to incorporate these changes continually. The information in this data sheet is intended to be used as a first general guideline only. asa assumes no liability for any information therein, any errors, omissions, misprints, nor any direct or indirect damages, losses or costs resulting therefrom. The cooling performance and the general technical values indicated in this catalogue are measured at a test bench according to asa testing procedures. Because there is no standardized testing procedure, tests used by other manufacturers could have different results. Due to different conditions in testing and application environments the cooling performance may also vary by +/- 15%. Therefore we recommend all coolers to be checked under the system operating conditions. This is also true of vibrations and mechanical stress as well as for pressure peaks and thermal stress and any other relevant factors.

Cooling Systems

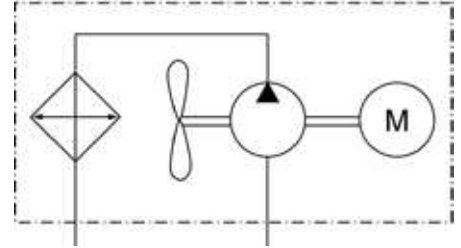
CC Series ASA Series 40/60 lpm

General Data And Details

The oil / air coolers of our CC series are autonomous cooling systems with an integrated circulation pump. They work as a separate cooling unit or as a filter cooling unit with an adequate filter. The benefits of such circulation coolers are a constant cooling performance and a higher durability, because there are no pressure vibrations or peaks in the cooler unit.

Conditions of use:

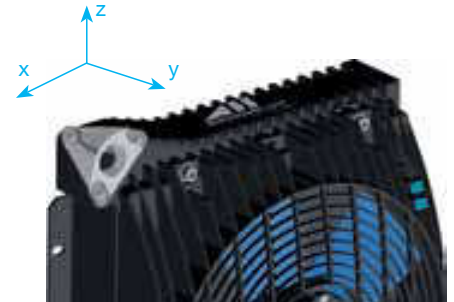
Maximum oil temperature: 100°C, maximum air temperature: 50°C. Motors can be used up to an altitude of 1.500m. For other conditions of use please contact our engineers.



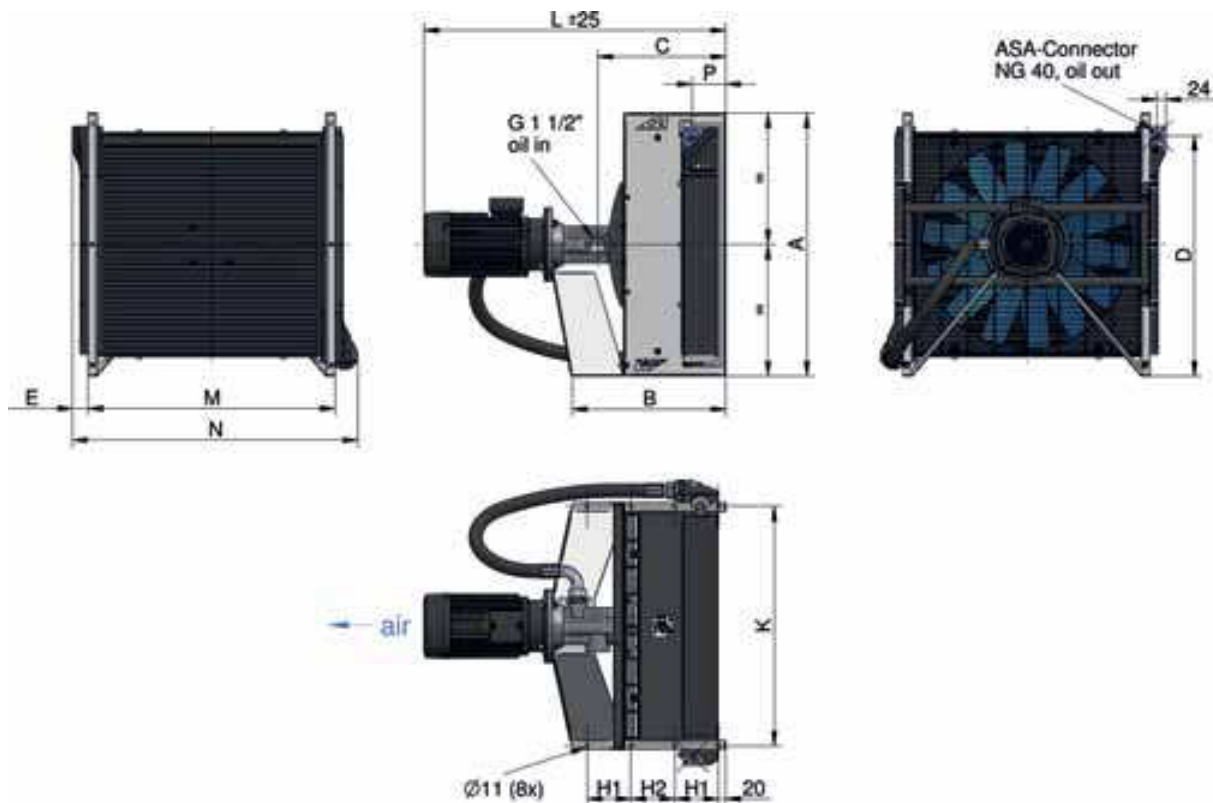
Connection

asa uc

The **AUC** (asa universal connector) system was the first worldwide flexible connection system for air blast heat exchangers. It gives you the free choice of the connector direction through turnable ports in 3 directions. Also the dimension of the ports can be varied with optional types. Please contact us to discover the huge potential of this system for your application.



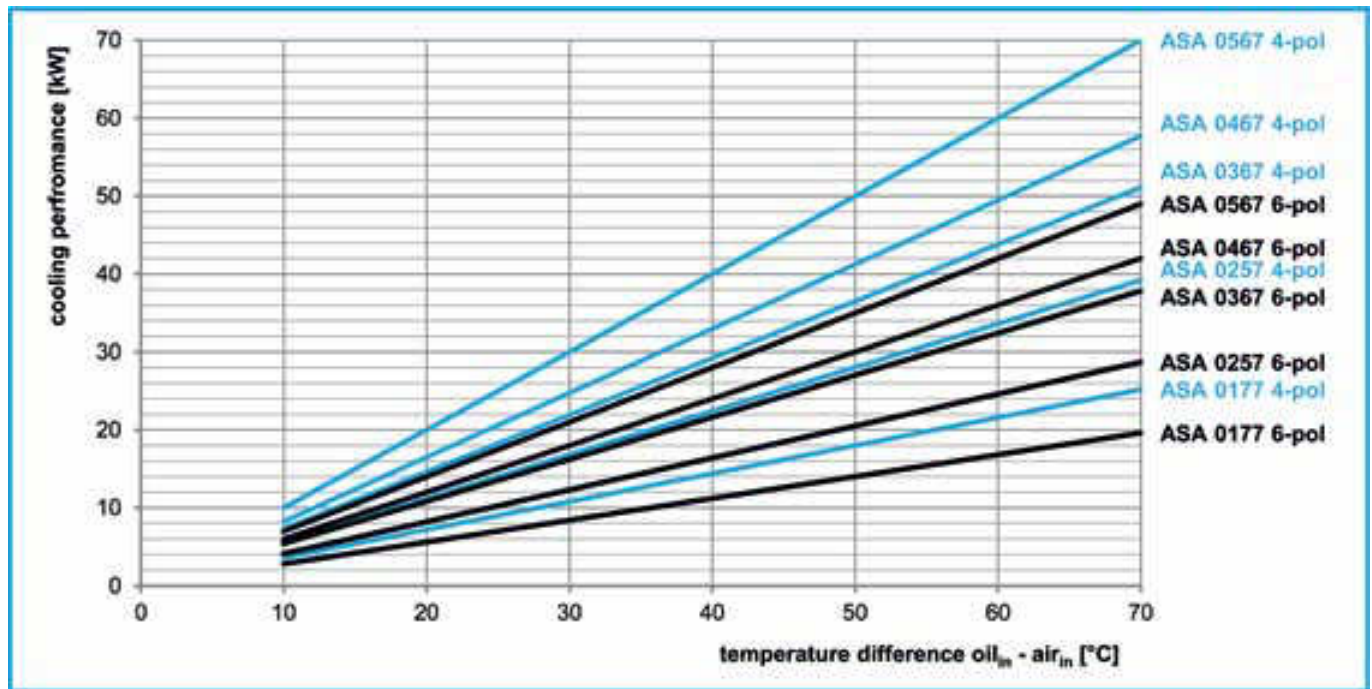
Scale Drawing



order number	description	A	B	C	D	E	H1	H2	K	L	M	N	P
		[mm]	[mm]	[mm]	[mm]	[mm]	[mm]	[mm]	[mm]	[mm]	[mm]	[mm]	[mm]
ASA0177AA49CC	ASA 0177 CC 4-pol	530	400	331	471	60	120	90	442	807	462	601	89
ASA0257AA49CC	ASA 0257 CC 4-pol	635	410	341	568	60	110	110	542	817	562	701	93
ASA0367AA49CC	ASA 0367 CC 4-pol	720	420	351	658	43	120	120	565	827	676	781	93
ASA0467AA49CC	ASA 0467 CC 4-pol	785	420	361	725	40	125	125	738	837	758	856	94
ASA0567AA49CC	ASA 0567 CC 4-pol	860	410	361	802	43	125	125	806	837	826	931	94
ASA0177AA68CC	ASA 0177 CC 6-pol	530	400	331	471	60	120	90	442	807	462	601	89
ASA0257AA68CC	ASA 0257 CC 6-pol	635	410	341	568	60	110	110	542	817	562	701	93
ASA0367AA68CC	ASA 0367 CC 6-pol	720	420	351	658	43	120	120	565	827	676	781	93
ASA0467AA68CC	ASA 0467 CC 6-pol	785	420	361	725	40	125	125	738	837	758	856	94
ASA0567AA68CC	ASA 0567 CC 6-pol	860	410	361	802	43	125	125	806	837	826	931	94

This data sheet shows a technical overview of our products. Please contact us if more exact information is needed. As we are constantly improving our products, their characteristics, dimensions and weights may also change, although we do our best to incorporate these changes continually. The information in this data sheet is intended to be used as a first general guideline only. asa assumes no liability for any information therein, any errors, omissions, misprints, nor any direct or indirect damages, losses or costs resulting therefrom. The cooling performance and the general technical values indicated in this catalogue are measured at a test bench according to asa testing procedures. Because there is no standardized testing procedure, tests used by other manufacturers could have different results. Due to different conditions in testing and application environments the cooling performance may also vary by +/- 15%. Therefore we recommend all coolers to be checked under the system operating conditions. This is also true of vibrations and mechanical stress as well as for pressure peaks and thermal stress and any other relevant factors.

Performance



Technical

order number	description	oil flow [lpm]	max. working pressure [bar]	motor power [kW]	motor current [A]	rotation [rpm]	air flow [kg/s]	noise level [dB(A)]	weight [kg]
ASA0177AA49CC	ASA 0177 CC 4-pol	60	10	1,5	3,35	1445	0,57	74	70,7
ASA0257AA49CC	ASA 0257 CC 4-pol	60	10	1,5	3,35	1445	1,14	79	80,0
ASA0367AA49CC	ASA 0367 CC 4-pol	60	8	1,5	3,35	1445	1,47	83	90,4
ASA0467AA49CC	ASA 0467 CC 4-pol	60	8	1,5	3,35	1445	1,77	84	107,7
ASA0567AA49CC	ASA 0567 CC 4-pol	60	8	1,5	3,35	1445	1,89	84	108,1
ASA0177AA68CC	ASA 0177 CC 6-pol	40	9	0,75	1,95	955	0,39	62	66,7
ASA0257AA68CC	ASA 0257 CC 6-pol	40	9	0,75	1,95	955	0,75	68	76,0
ASA0367AA68CC	ASA 0367 CC 6-pol	40	8	0,75	1,95	955	0,94	73	86,4
ASA0467AA68CC	ASA 0467 CC 6-pol	40	8	0,75	1,95	955	1,12	74	103,7
ASA0567AA68CC	ASA 0567 CC 6-pol	40	8	0,75	1,95	955	1,21	74	104,1

The maximum suction pressure is -0,5 bar. The viscosity range is <240cSt. Motor voltage: 230/400V @ 50Hz*. The protection level is IP55.

Design

radiator material	aluminium
radiator air fin shape	wavy
pump type	screw pump
pump material (housing)	aluminium
sheet metal material	powder coated steel
suitable fluids	mineral oil

Connection (BSP 1")

ILLZASA32G32 (BSP1¼")	1 per cooler required
ILLZASA40G40 (BSP1½")	1 per cooler required

Options

temperature switch	50°C, 60°C
motor data*	alternative voltages, frequencies, protection levels, etc on request

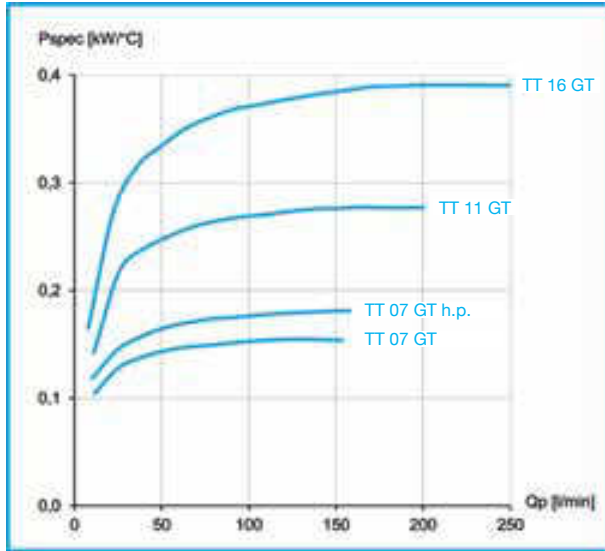


This data sheet shows a technical overview of our products. Please contact us if more exact information is needed. As we are constantly improving our products, their characteristics, dimensions and weights may also change, although we do our best to incorporate these changes continually. The information in this data sheet is intended to be used as a first general guideline only. asa assumes no liability for any information therein, any errors, omissions, misprints, nor any direct or indirect damages, losses or costs resulting therefrom. The cooling performance and the general technical values indicated in this catalogue are measured at a test bench according to asa testing procedures. Because there is no standardized testing procedure, tests used by other manufacturers could have different results. Due to different conditions in testing and application environments the cooling performance may also vary by +/- 15%. Therefore we recommend all coolers to be checked under the system operating conditions. This is also true of vibrations and mechanical stress as well as for pressure peaks and thermal stress and any other relevant factors.

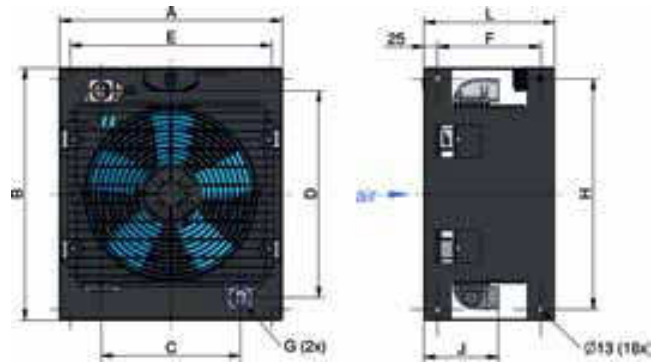
The GT cooler is a ready mounted cooler package, consisting of a cooler, protection housing, mounted rail connectors and the ready wired electronic temperature control. All standard cooler sizes from TT 07 to ASA 0177 are available as a GT cooler. Also the internal bypass version is easy to integrate with the same housing dimensions. The temperature control is a relay box in connection with a temperature sensor controlling the fan with the optimal fan speed and a soft start curve (see page 36). This reduces the noise level and increases the duration of the fan unit. The protection housing is a solid metal framework for rough mobile and special applications. The radiator side is protected by a metal grid and the whole cooler is mounted on the asa rubber vibration absorbers to reduce the mechanical stress.

Performance

Specific cooling performance



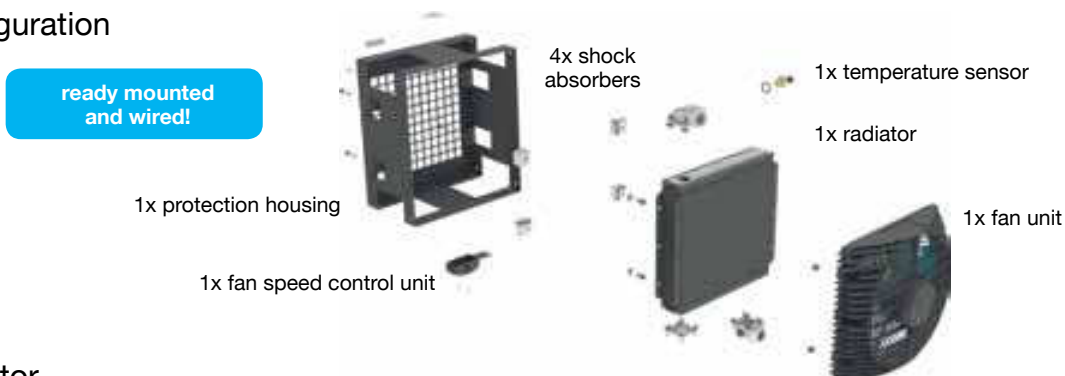
Dimensions



Technical Data

order number	description	A	B	C	D	E	F	G	H	J	K	L	weight	optional internal bypass (30PSI)
		[mm]	[mm]	[mm]	[mm]	[mm]	[mm]	BSP	[mm]	[mm]	[mm]	[mm]	[kg]	cooler order no.
ASATT07GD01GT	TT 07 rail 12V DC GT	334	425	176	341	300	190	1"	385	114	20	240	13,7	ASATT07GD01BP
ASATT07GD02GT	TT 07 rail 24V DC GT	334	425	176	341	300	190	1"	385	114	20	240	13,7	ASATT07GD02BP
ASATT07GD03GT	TT 07 rail 12V DC GT h.p.	334	425	176	341	300	190	1"	385	114	20	240	14,1	ASATT07GD03BP
ASATT07GD04GT	TT 07 rail 24V DC GT h.p.	334	425	176	341	300	190	1"	385	114	20	240	14,1	ASATT07GD04BP
ASATT11GD01GT	TT 11 rail 12V DC GT	410	465	256	381	370	190	1"	425	137	25	240	20,1	ASATT11GD01BP
ASATT11GD02GT	TT 11 rail 24V DC GT	410	465	256	381	370	190	1"	425	137	25	240	20,1	ASATT11GD02BP
ASATT16GD01GT	TT 16 rail 12V DC GT	490	590	328	515	450	210	1 1/4"	550	143	25	260	30,6	ASATT16GD01BP
ASATT16GD02GT	TT 16 rail 24V DC GT	490	590	328	515	450	210	1 1/4"	550	143	25	260	30,6	ASATT16GD02BP

Configuration



Radiator

material	aluminium
working temperature range:	-20°C to +80°C (oil temperature)
air fin shape:	wavy
working pressure:	26 bar (static)
internal bypass	alternative bypass settings (1bar / 5 bar)

This data sheet shows a technical overview of our products. Please contact us if more exact information is needed. As we are constantly improving our products, their characteristics, dimensions and weights may also change, although we do our best to incorporate these changes continually. The information in this data sheet is intended to be used as a first general guideline only. asa assumes no liability for any information therein, any errors, omissions, misprints, nor any direct or indirect damages, losses or costs resulting therefrom. The cooling performance and the general technical values indicated in this catalogue are measured at a test bench according to asa testing procedures. Because there is no standardized testing procedure, tests used by other manufacturers could have different results. Due to different conditions in testing and application environments the cooling performance may also vary by +/- 15%. Therefore we recommend all coolers to be checked under the system operating conditions. This is also true of vibrations and mechanical stress as well as for pressure peaks and thermal stress and any other relevant factors.