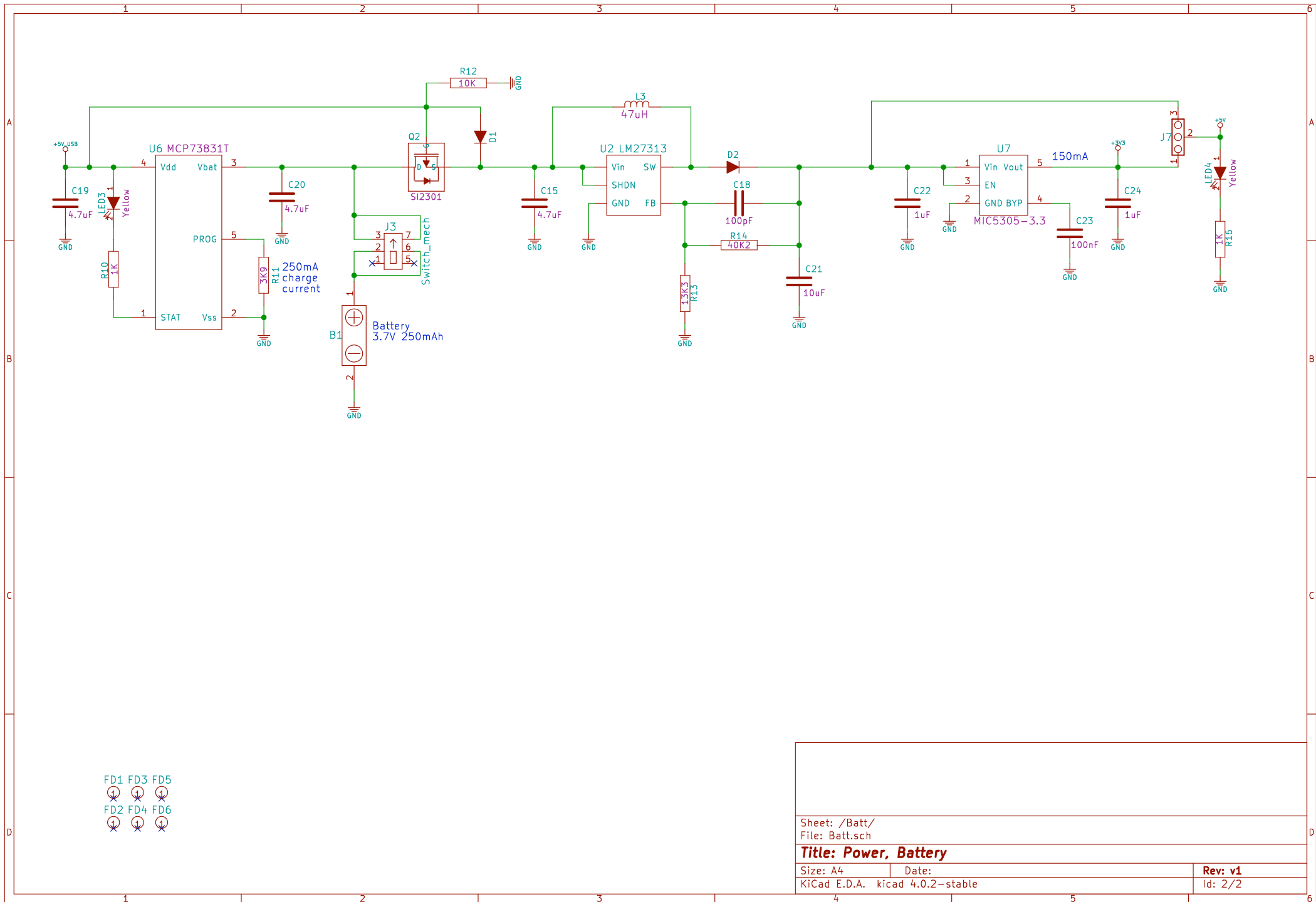


Atmega32u4 Programming Connector

Control LoRa from Arduino

Control LoRa from RPi

Sheet: /		Date:	
File: Td.sch		Rev: v1	
<b>Title: Lora, Arduino, Raspberry Pi, Breadboard</b>		Id: 1/2	
Size: A4	KiCad E.D.A. kicad 4.0.2-stable		



FD1 FD3 FD5  
 FD2 FD4 FD6  
 ⓧ ⓧ ⓧ  
 ⓧ ⓧ ⓧ

Sheet: /Batt/	
File: Batt.sch	
<b>Title: Power, Battery</b>	
Size: A4	Date:
KiCad E.D.A. kicad 4.0.2-stable	Rev: v1
	Id: 2/2