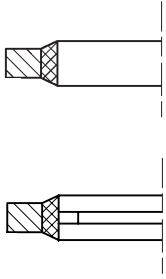




DICHTOMATIK

Bonded Seals
US/USS



US/USS

Bonded seals (US, USS) are metal washers with a trapezoidal elastomer sealing lip vulcanised to their inner diameter.

Description

Product group Bonded seal
Type US with inner vulcanised elastomer sealing lip

USS with inner vulcanised elastomer sealing lip and additional centring

Sealing material Elastomer sealing lip
NBR, NB 70 34 09
Elastomer sealing lip
FKM, FP 70 34 02

Colour NBR 70, black
FKM 70, brown

Washer Carbon steel
SAE 1008 (1.0330)
Stainless steel
AISI 304 (1.4301)

Surface protection Zinc plated
washer carbon (Cr VI free)
steel

Colour Silver-grey

Operational application limits

Temperature NBR: -30°C to +100°C
Temperature FKM: -15°C to +200°C

The maximum operating pressure is dependent on the design of the seal, the material, the dimensions, the counter surface and the tightening torque. Bonded seals are suitable for up to 25 Mpa pressure without counterbores in the counter surfaces.

Counter surface

Surface finish
Rmax ≤ 15 µm
Ra ≤ 3.2 µm

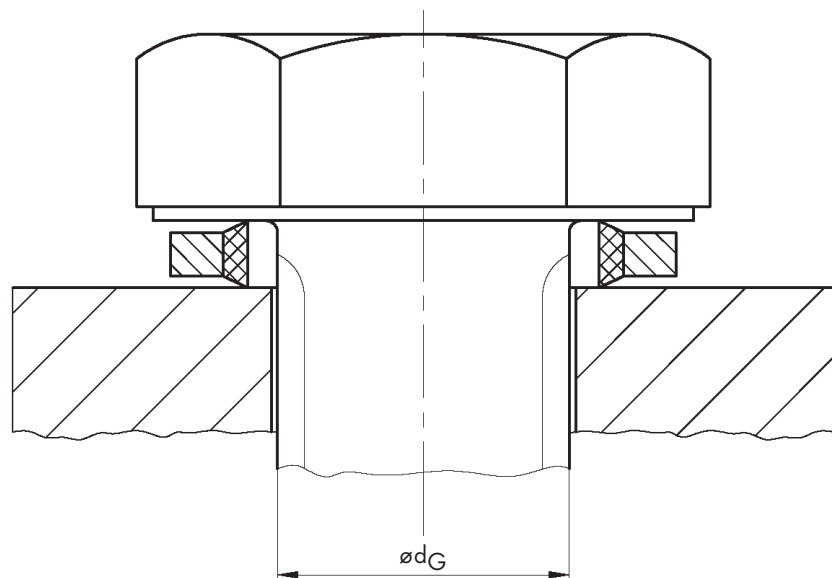
Function

By tightening the screws the elastomer sealing lip is compressed, thereby producing the sealing effect on the surfaces to be sealed. It stops the medium from leaking to the outside, thus preventing loss of pressure. In addition, it provides protection against dirt from the outside.

The centring feature of the USS type ensures that the bonded seal is fixed in the correct position for mounting and when tightening the screws, thereby guaranteeing captive mounting.

Application area

Bonded seals are used as static seals for screw connections and flange seals, for example in machine building and container and apparatus construction.





Benefits of bonded seals

- Simple, captive assembly
- Secure sealing
- Reusable
- Fixation due to inner centring
- Cost-effective solution
- Controlled compression due to washer
- Available in different metal finishes
- Stocked for almost all European thread sizes

Media suitability of elastomer sealing lip

NBR

Good chemical resistance to mineral oils and greases, hydraulic oils H, HL, HLP, flame-resistant hydraulic fluids HFA, HFB, HFC up to approx. +50°C and water up to max. +80°C.

FKM

Good chemical resistance to mineral oils and greases, synthetic oils and greases, engine, transmission and ATF oils up to approx. +150°C, fuels, flame-resistant hydraulic fluids HFD, aliphatic, aromatic and chlorinated hydrocarbons, water up to max. +80°C, excellent resistance to weather, ozone and ageing, very low gas permeability (therefore suitable for vacuum applications), broad chemical resistance.



Remarks

Further special types such as bonded seals with elastomer sealing lip vulcanised to the outside (UA type) or according to customers' drawings are available on request.

Further elastomer materials such as EPDM, HNBR and FVMQ are available on request. We can also provide the metal washer in different special steels such as AISI 316 (1.4401) or AISI 316Ti (1.4571) on request in order to guarantee improved corrosion and acid resistance.

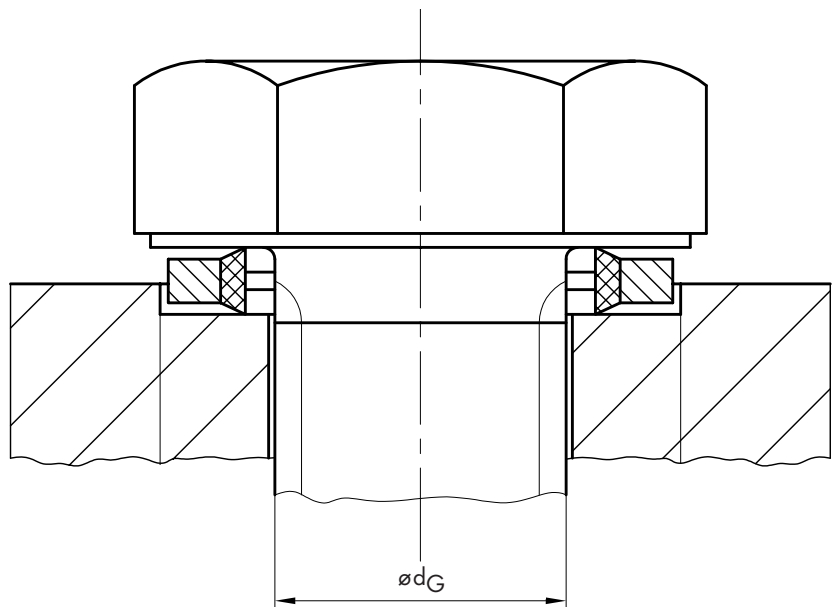
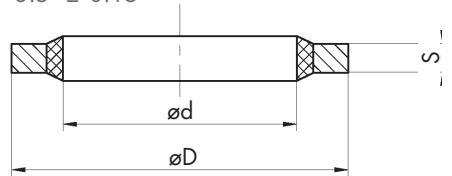
Any Seal. Any Time

All the articles in our standard range can be ordered direct from our warehouse. You can check availability at www.dichtomatik.de. Other dimensions can be manufactured or tools are already in place.

General information

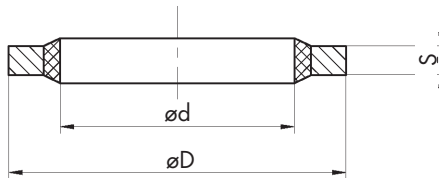
Height tolerance (S)

1	± 0.1
1.2	± 0.1
1.5	± 0.1
2	± 0.1
2.3	± 0.15
2.5	± 0.15
3	± 0.15
3.2	± 0.15
3.5	± 0.15



US

Sizes



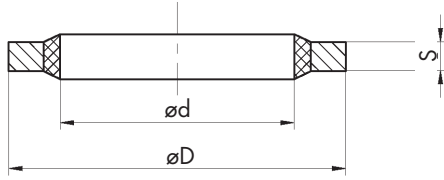
Ref. No.	Thread metric	Item No.	Code	d	D	S	Mat.
301	M3	68934	US	3.6	7.5	1	NBR
301	M3	175060	US	3.6	7.5	1	FKM
	M3	175013	US	3.6	6.5	1	NBR
	M3	175007	US	3.6	6.5	1	FKM
	M3	167491	US	3.8	7.6	1	NBR
	M3	175001	US	3.8	7.6	1	FKM
201	M3.5	24707	US	4.1	7.2	1	NBR
201	M3.5	104541	US	4.1	7.2	1	FKM
202	M4	68905	US	4.5	7	1	NBR
202	M4	104543	US	4.5	7	1	FKM
302	M4	68935	US	4.6	9	1	NBR
302	M4	104544	US	4.6	9	1	FKM
	M4	175008	US	5.1	7.8	1	NBR
	M4	175002	US	5.1	7.8	1	FKM
303	M5	68936	US	5.6	10	1	NBR
303	M5	104546	US	5.6	10	1	FKM
204	M5	36060	US	5.7	10	1	NBR
204	M5	104548	US	5.7	10	1	FKM
203	M5	68906	US	5.7	9	1	NBR
203	M5	104547	US	5.7	9	1	FKM
	M5	76638	US	5.7	9.2	1	NBR
	M5	175061	US	5.7	9.2	1	FKM
	M5	175012	US	6	13	1	NBR
	M5	175006	US	6	13	1	FKM
205	M5.5	69181	US	6.2	9.2	1	NBR
205	M5.5	104549	US	6.2	9.2	1	FKM
304	M6	68937	US	6.6	11	1	NBR
304	M6	104550	US	6.6	11	1	FKM
208	M6	69183	US	6.7	11	2.5	NBR
208	M6	104553	US	6.7	11	2.5	FKM
207	M6	36059	US	6.7	11	1	NBR
207	M6	104552	US	6.7	11	1	FKM
206	M6	65026	US	6.7	10	1	NBR
206	M6	104551	US	6.7	10	1	FKM
305	M6	69202	US	6.85	13.27	1.2	NBR
305	M6	104554	US	6.85	13.27	1.2	FKM
306	M6	68938	US	7	11.4	1	NBR
306	M6	104557	US	7	11.4	1	FKM
209	M6.5	69184	US	7.1	12	1	NBR
209	M6.5	104558	US	7.1	12	1	FKM
210	M6.7	39489	US	7.3	1.2	1	NBR
210	M6.7	104559	US	7.3	10.2	1	FKM
		175011	US	7.8	14.9	1	NBR
		175005	US	7.8	14.9	1	FKM
211	M8	68907	US	8.5	13.4	1	NBR
211	M8	104562	US	8.5	13.4	1	FKM
307	M8	56719	US	8.6	13	1	NBR
307	M8	104563	US	8.6	13	1	FKM
214	M8	69185	US	8.7	16	1	NBR
214	M8	104567	US	8.7	16	1	FKM
213	M8	68908	US	8.7	14	1	NBR
213	M8	104566	US	8.7	14	1	FKM
212	M8	38660	US	8.7	13	1	NBR
212	M8	104565	US	8.7	13	1	FKM
215	M8.5	35453	US	9.3	13.3	1	NBR

US**Sizes**

Ref. No.	Thread metric	Item No.	Code	d	D	S	Mat.
215	M8.5	104568	US	9.3	13.3	1	FKM
216	M10	44738	US	10.35	16	2	NBR
216	M10	104569	US	10.35	16	2	FKM
310	M10	40576	US	10.7	17	1.5	NBR
310	M10	104573	US	10.7	17	1.5	FKM
218	M10	36061	US	10.7	18	1.5	NBR
218	M10	104574	US	10.7	18	1.5	FKM
217	M10	44013	US	10.7	16	1.5	NBR
217	M10	104572	US	10.7	16	1.5	FKM
219	M11	69186	US	11.4	16.3	1.5	NBR
219	M11	104576	US	11.4	16.3	1.5	FKM
312	M11	68939	US	11.8	18.1	1.5	NBR
312	M11	104578	US	11.8	18.1	1.5	FKM
221	M11	44739	US	11.8	19.1	1.5	NBR
221	M11	104580	US	11.8	19.1	1.5	FKM
220	M11	24710	US	11.8	18.5	1.5	NBR
220	M11	104579	US	11.8	18.5	1.5	FKM
313	M12	68940	US	12.7	19	1.5	NBR
313	M12	104582	US	12.7	19	1.5	FKM
223	M12	55948	US	12.7	20	1.5	NBR
223	M12	104583	US	12.7	20	1.5	FKM
222	M12	35454	US	12.7	18	1.5	NBR
222	M12	104581	US	12.7	18	1.5	FKM
	M12	175009	US	13.2	18	1.5	NBR
	M12	175003	US	13.2	18	1.5	FKM
225	M13	69188	US	13.7	22	1.5	NBR
225	M13	104585	US	13.7	22	1.5	FKM
224	M13	69187	US	13.7	20	1.5	NBR
224	M13	104584	US	13.7	20	1.5	FKM
315	M13	69189	US	13.8	20.1	1.5	NBR
315	M13	104587	US	13.8	20.1	1.5	FKM
226	M13.5	35455	US	14	18.7	1.5	NBR
226	M13.5	104589	US	14	18.7	1.5	FKM
316	M14	68941	US	14.7	21	1.5	NBR
316	M14	104590	US	14.7	21	1.5	FKM
227	M14	39320	US	14.7	22	1.5	NBR
227	M14	104591	US	14.7	22	1.5	FKM
228	M15	69190	US	16	22.7	1.5	NBR
228	M15	104594	US	16	22.7	1.5	FKM
317	M16	68942	US	16.7	23	1.5	NBR
317	M16	175062	US	16.7	23	1.5	FKM
229	M16	24709	US	16.7	24	1.5	NBR
229	M16	104597	US	16.7	24	1.5	FKM
319	M16.5	69203	US	17.2	23.9	2	NBR
319	M16.5	104598	US	17.2	23.9	2	FKM
318	M17	49364	US	17.4	23.7	1.5	NBR
318	M17	104601	US	17.4	23.7	1.5	FKM
230	M17	35894	US	17.4	24	1.5	NBR
230	M17	104602	US	17.4	24	1.5	FKM
231	M17.5	24708	US	18	24.7	1.5	NBR
231	M17.5	104603	US	18	24.7	1.5	FKM
320	M18	68943	US	18.7	27	2	NBR
320	M18	104606	US	18.7	27	2	FKM
232	M18	44014	US	18.7	26	1.5	NBR
232	M18	104605	US	18.7	26	1.5	FKM

US

Sizes



Ref. No.	Thread metric	Item No.	Code	d	D	S	Mat.
	M18	175010	US	19.7	26	1.5	NBR
	M18	175004	US	19.7	26	1.5	FKM
321	M20	40577	US	20.7	29	2	NBR
321	M20	104609	US	20.7	29	2	FKM
233	M20	44015	US	20.7	28	1.5	NBR
233	M20	104608	US	20.7	28	1.5	FKM
234	M21	63951	US	21.5	28.7	2.5	NBR
234	M21	104610	US	21.5	28.7	2.5	FKM
323	M21	69317	US	21.7	30	2	NBR
323	M21	104613	US	21.7	30	2	FKM
235	M22	69191	US	22.5	28	1.5	NBR
235	M22	104614	US	22.5	28	1.5	FKM
324	M22	68944	US	22.7	31	2	NBR
324	M22	104617	US	22.7	31	2	FKM
237	M22	68909	US	22.7	30	3	NBR
237	M22	104616	US	22.7	30	3	FKM
236	M22	37698	US	22.7	30	2	NBR
236	M22	104615	US	22.7	30	2	FKM
325	M23	69192	US	23.7	32	2	NBR
325	M23	104619	US	23.7	32	2	FKM
326	M24	68945	US	24.7	33	2	NBR
326	M24	104622	US	24.7	33	2	FKM
238	M24	35893	US	24.7	32	2	NBR
238	M24	104621	US	24.7	32	2	FKM
239	M26	37654	US	26.7	35	2	NBR
239	M26	104623	US	26.7	35	2	FKM
327	M26	69193	US	27	35.3	2	NBR
327	M26	104624	US	27	35.3	2	FKM
240	M27	38094	US	27.2	36	2	NBR
240	M27	104626	US	27.2	36	2	FKM
	M24	69233	US	27.3	32.6	2	NBR
	M24	104628	US	27.3	32.6	2	FKM
328	M27	44419	US	27.7	36	2	NBR
328	M27	104629	US	27.7	36	2	FKM
329	M28	69194	US	28.6	36	2	NBR
329	M28	104631	US	28.6	36	2	FKM
241	M28	24711	US	28.7	37	2	NBR
241	M28	104632	US	28.7	37	2	FKM
330	M28.5	69195	US	29.2	37.5	2	NBR
330	M28.5	104633	US	29.2	37.5	2	FKM
331	M30	40578	US	30.7	39	2	NBR
331	M30	104635	US	30.7	39	2	FKM
242	M30	24706	US	31	39	2	NBR
242	M30	104637	US	31	39	2	FKM
243	M33	38392	US	33.7	42	2	NBR
243	M33	104332	US	33.7	42	2	FKM
244	M33	39367	US	34.3	43	2	NBR
244	M33	104642	US	34.3	43	2	FKM
245	M36	44918	US	36.7	46	2	NBR
245	M36	104644	US	36.7	46	2	FKM
333	M36	56720	US	37	48	2.5	NBR
333	M36	104645	US	37	48	2.5	FKM
246	M39	35892	US	40	51	2.5	NBR
246	M39	104334	US	40	51	2.5	FKM
247	M42	44937	US	42.7	53	3	NBR

US

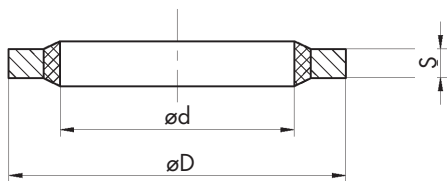
Sizes

Ref. No.	Thread metric	Item No.	Code	d	D	S	Mat.
247	M42	104647	US	42.7	53	3	FKM
335	M42	68946	US	43	54	2.5	NBR
335	M42	104650	US	43	54	2.5	FKM
336	M45	68947	US	46	57	2.5	NBR
336	M45	104652	US	46	57	2.5	FKM
248	M48	44016	US	48.7	59	3	NBR
248	M48	104655	US	48.7	59	3	FKM
337	M48	44420	US	49	60	2.5	NBR
337	M48	104656	US	49	60	2.5	FKM
249	M51	69196	US	52	60	3	NBR
249	M51	104658	US	52	60	3	FKM
250	M52	69197	US	53.3	64.5	3	NBR
250	M52	104659	US	53.3	64.5	3	FKM
251	M60	69198	US	60.7	73	3	NBR
251	M60	104664	US	60.7	73	3	FKM
252	M68	69199	US	68.6	79.5	3.5	NBR
252	M68	104667	US	68.6	79.5	3.5	FKM
253	M75	69200	US	76.08	90.3	3.5	NBR
253	M75	104669	US	76.08	90.3	3.5	FKM
254	M88	55921	US	89.09	101.35	3.2	NBR
254	M88	104670	US	89.09	101.35	3.2	FKM
255	M125	69201	US	127	143.67	5	NBR
255	M125	104671	US	127	143.67	5	FKM

Ref. No.	Thread imperial	BSP	Item No.	Code	d	D	S	Mat.
001	6BA		68910	US	3.05	6.35	1.2	NBR
001	6BA		104539	US	3.05	6.35	1.2	FKM
002	4BA		68911	US	4.12	7.26	1.2	NBR
002	4BA		104542	US	4.12	7.26	1.2	FKM
003	2BA		62598	US	5.21	8.38	1.2	NBR
003	2BA		104545	US	5.21	8.38	1.2	FKM
004	1/4		44934	US	6.86	13.21	1.2	NBR
004	1/4		104555	US	6.86	13.21	1.2	FKM
005	1/4		68912	US	6.99	13.34	1.2	NBR
005	1/4		104556	US	6.99	13.34	1.2	FKM
006	5/16		68913	US	8.31	13.34	1.2	NBR
006	5/16		104561	US	8.31	13.34	1.2	FKM
007	5/16		39318	US	8.64	14.22	1.2	NBR
007	5/16		104564	US	8.64	14.22	1.2	FKM
008	40		68914	US	11.26	18.36	2	NBR
008	40		104575	US	11.26	18.36	2	FKM
009	7/16		68915	US	11.69	19.05	2	NBR
009	7/16		104577	US	11.69	19.05	2	FKM
010	9/16		68916	US	14.86	22.23	2	NBR
010	9//16		104592	US	14.86	22.23	2	FKM
011	5/8		68918	US	16.51	25.4	2	NBR
011	5/8		104595	US	16.51	25.4	2	FKM
012	11/16		68919	US	18.16	25.4	2.3	NBR
012	11/16		104604	US	18.16	25.4	2.3	FKM
013	15/16		68922	US	24.26	33.27	2.3	NBR

US

Sizes



Ref. No.	Thread imperial	BSP	Item No.	Code	d	D	S	Mat.
013	15/16		104620	US	24.26	33.27	2.3	FKM
014	1 1/8		68924	US	29.33	36.58	2.3	NBR
014	1 1/8		104634	US	29.33	36.58	2.3	FKM
015	1 1/4		68925	US	32.64	41.4	3.2	NBR
015	1 1/4		104638	US	32.64	41.4	3.2	FKM
016	1 3/8		68927	US	35.94	44.45	3.2	NBR
016	1 3/8		104643	US	35.94	44.45	3.2	FKM
017	1 1/2		68928	US	38.96	47.75	3.2	NBR
017	1 1/2		104646	US	38.96	47.75	3.2	FKM
018	1 3/4		68929	US	45.34	57.15	3.2	NBR
018	1 3/4		104651	US	45.34	57.15	3.2	FKM
019	2		64617	US	51.69	63.5	3.2	NBR
019	2		104657	US	51.69	63.5	3.2	FKM
020	3/8	1/8	35493	US	10.37	15.88	2	NBR
020	3/8	1/8	104570	US	10.37	15.88	2	FKM
021	1/2	1/4	35494	US	13.74	20.57	2	NBR
021	1/2	1/4	104586	US	13.74	20.57	2	FKM
022	60		68917	US	15.83	22.23	2	NBR
022	60		104593	US	15.83	22.23	2	FKM
023	3/8		35495	US	17.28	23.8	2	NBR
023	3/8		104599	US	17.28	23.80	2	FKM
024	3/4		68920	US	19.69	26.92	2.3	NBR
024	3/4		104607	US	19.69	26.92	2.3	FKM
025	13/16	1/2	39319	US	21.54	28.58	2.3	NBR
025	13/16	1/2	104611	US	21.54	28.58	2.3	FKM
026	7/8	5/8	68921	US	23.49	31.75	2.3	NBR
026	7/8	5/8	104618	US	23.49	31.75	2.3	FKM
027	1	3/4	35497	US	27.05	34.93	2.3	NBR
027	1	3/4	104625	US	27.05	34.93	2.3	FKM
028	1 1/16		68923	US	27.82	38.61	2.3	NBR
028	1 1/16		104630	US	27.82	38.61	2.3	FKM
029	1 3/16	7/8	35498	US	30.81	38.10	2.3	NBR
029	1 3/16	7/8	104636	US	30.81	38.10	2.30	FKM
030	1 5/16	1	35499	US	33.89	42.80	3.2	NBR
030	1 5/16	1	104640	US	33.89	42.8	3.2	FKM
031	1 5/16	1	68926	US	33.89	42.8	2.3	NBR
031	1 5/16	1	104639	US	33.89	42.8	2.3	FKM
032	1 5/8	1 1/4	35500	US	42.93	52.38	3.2	NBR
032	1 5/8	1 1/4	104649	US	42.93	52.38	3.2	FKM
033	1 7/8	1 1/2	35501	US	48.44	58.60	3.2	NBR
033	1 7/8	1 1/2	104653	US	48.44	58.6	3.2	FKM
034	2 1/8	1 3/4	60471	US	54.89	69.85	3.2	NBR
034	2 1/8	1 3/4	104660	US	54.89	69.85	3.2	FKM
035	2 1/4		64616	US	58.04	70.36	3.2	NBR
035	2 1/4		104661	US	58.04	70.36	3.2	FKM
036	2		68930	US	60.58	73.03	3.2	NBR
036	2		104663	US	60.58	73.03	3.2	FKM
037	2 1/2		68931	US	64.39	77.22	3.2	NBR
037	2 1/2		104665	US	64.39	77.22	3.2	FKM
038	2 1/4		68932	US	66.68	79.5	3.2	NBR
038	2 1/4		104666	US	66.68	79.5	3.2	FKM
039	2 1/2		68933	US	76.08	90.17	3.2	NBR
039	2 1/2		104668	US	76.08	90.17	3.2	FKM

US**Sizes**

Ref. No.	Thread imperial	BSP	Item No.	Code	d	D	S	Mat.
519	1/16		69232	US	8.3	12.7	1.2	NBR
519	1/16		104560	US	8.3	12.7	1.2	FKM
510	1/8		69182	US	10.4	14.7	1.2	NBR
510	1/8		104571	US	10.4	14.7	1.2	FKM
511	1/4		69224	US	13.85	18.7	1.2	NBR
511	1/4		104588	US	13.85	18.7	1.2	FKM
512	3/8		69225	US	17.35	22.7	1.2	NBR
512	3/8		104600	US	17.35	22.7	1.2	FKM
513	1/2		69226	US	21.65	26.7	1.2	NBR
513	1/2		104612	US	21.65	26.7	1.2	FKM
514	3/4		69227	US	27.3	32.6	1.2	NBR
514	3/4		104627	US	27.3	32.6	1.2	FKM
515	1		69228	US	34.2	39.5	2	NBR
515	1		104641	US	34.2	39.5	2	FKM
516	1 1/4		69229	US	42.8	49.5	2	NBR
516	1 1/4		104648	US	42.8	49.5	2	FKM
517	1 1/2		69230	US	48.7	55.5	2	NBR
517	1 1/2		104654	US	48.7	55.5	2	FKM
518	2		69231	US	60.5	68.5	2	NBR
518	2		104662	US	60.5	68.5	2	FKM

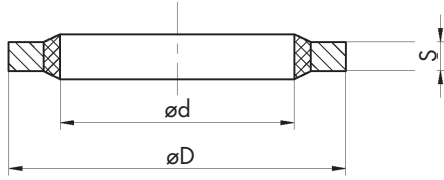
Sizes stainless steel

Ref. No.	Thread metric		Item No.	Code	d	D	S	Mat.
201	M3.5		117619	US	4.1	7.2	1	NBR
202	M4		125704	US	4.5	7	1	NBR
203	M5		121781	US	5.7	9	1	NBR
204	M5		175187	US	5.7	10	1	NBR
205	M5.5		175188	US	6.2	9.2	1	NBR
304	M6		125725	US	6.6	11	1	NBR
206	M6		121768	US	6.7	10	1	NBR
207	M6		151893	US	6.7	11	1	NBR
210	M6.7		175189	US	7.3	10.2	1	NBR
211	M8		175190	US	8.5	13.4	1	NBR
212	M8		159580	US	8.7	13	1	NBR
213	M8		89092	US	8.7	14	1	NBR
217	M10		125726	US	10.7	16	1.5	NBR
218	M10		115860	US	10.7	18	1.5	NBR
222	M12		175191	US	12.7	18	1.5	NBR
225	M13		175192	US	13.7	22	1.5	NBR
224	M13		175193	US	13.7	20	1.5	NBR
227	M14		175194	US	14.7	22	1.5	NBR
228	M15		175195	US	16	22.7	1.5	NBR
229	M16		124715	US	16.7	24	1.5	NBR
230	M17		175196	US	17.4	24	1.5	NBR
232	M18		170827	US	18.7	26	1.5	NBR
235	M22		175197	US	22.5	28	1.5	NBR
236	M22		175198	US	22.7	30	2	NBR
238	M24		172487	US	24.7	32	2	NBR
239	M26		143618	US	26.7	35	2	NBR
241	M28		175199	US	28.7	37	2	NBR
243	M33		175200	US	33.7	42	2	NBR
244	M33		135232	US	34.3	43	2	NBR
247	M42		143619	US	42.7	53	3	NBR
248	M48		108501	US	48.7	59	3	NBR

US

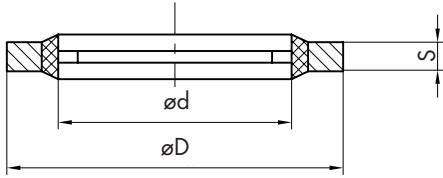
Ref. No.	Thread imperial	BSP	Item No.	Code	d	D	S	Mat.
001	6BA	1	126233	US	3.05	6.35	1.2	NBR
003	2BA		175201	US	5.21	8.38	1.2	NBR
004	1/4		155663	US	6.86	13.21	1.2	NBR
006	5/16		175322	US	8.31	13.34	1.2	NBR
007	5/16		134362	US	8.64	14.22	1.2	NBR
020	3/8	1/8	175202	US	10.37	15.88	2	NBR
021	1/2	1/4	175203	US	13.74	20.57	2	NBR
011	5/8		175204	US	16.51	25.4	2	NBR
023		3/8	175205	US	17.28	23.8	2	NBR
012	11/16		175206	US	18.16	25.4	2.3	NBR
025	13/16	1/2	84606	US	21.54	28.58	2.3	NBR
026	7/8	5/8	175207	US	23.49	31.75	2.3	NBR
027	1	3/4	175208	US	27.05	34.93	2.3	NBR
029	1 3/16	7/8	175209	US	30.81	38.1	2.3	NBR
030	1 5/16	1	175210	US	33.89	42.8	3.2	NBR
017	1 1/2		175211	US	38.96	47.75	3.2	NBR
032	1 5/8	1 1/4	175212	US	42.93	52.38	3.2	NBR
033	1 7/8	1 1/2	175213	US	48.44	58.6	3.2	NBR

Abmessungen



USS

Abmessungen

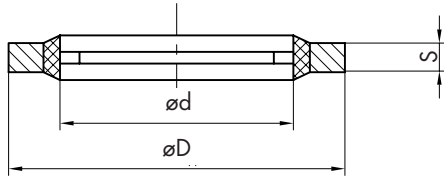


Ref. No.	Thread metric	Item No.	Code	d	D	S	Mat.
004	M4	89091	US	4.5	7	1	NBR
004	M4	104324	US	4.5	7	1	FKM
	M5	174532	US	5.6	10	1	NBR
	M5	175021	US	5.6	10	1	FKM
	M5	89099	US	5.7	10	1	NBR
	M5	124784	US	5.7	10	1	FKM
	M5	171414	US	5.7	9	1	NBR
	M5	175022	US	5.7	9	1	NBR
006	M6	89086	US	6.6	11	1	NBR
006	M6	104326	US	6.6	11	1	FKM
	M6	134211	US	6.7	10	1	NBR
	M6	175023	US	6.7	10	1	FKM
	M6	90384	US	6.7	11	1	NBR
	M6	175024	US	6.7	11	1	NBR
		161414	US	7.9	14.9	1	NBR
		175025	US	7.9	14.9	1	FKM
	M8	175017	US	8.6	13	1	NBR
	M8	175026	US	8.6	13	1	FKM
	M8	174526	US	8.7	13	1	NBR
	M8	175027	US	8.7	13	1	FKM
866	M8	4007	US	8.7	14	1	NBR
866	M8	104672	US	8.7	14	1	FKM
708	M10	89100	US	10.7	16	1.5	NBR
708	M10	104674	US	10.7	16	1.5	FKM
	M10	175020	US	10.7	17	1.5	NBR
	M10	175034	US	10.7	17	1.5	FKM
012	M12	175016	US	12.7	18	1.5	NBR
012	M12	104329	US	12.7	18	1.5	FKM
867	M12	49423	US	12.7	19	1.5	NBR
867	M12	104675	US	12.7	19	1.5	FKM
	M12	174527	US	12.7	20	1.5	NBR
	M12	175040	US	12.7	20	1.5	FKM
	M13	174528	US	13.7	22	1.5	NBR
	M13	175033	US	13.7	22	1.5	FKM
868	M14	89098	US	14.7	22	1.5	NBR
868	M14	104677	US	14.7	22	1.5	FKM
870	M16	89090	US	16.7	24	1.5	NBR
870	M16	104679	US	16.7	24	1.5	FKM
	M17	174529	US	17.4	24	1.5	NBR
	M17	175029	US	17.4	24	1.5	FKM
872	M18	41640	US	18.7	26	1.5	NBR
872	M18	104682	US	18.7	26	1.5	FKM
873	M20	41654	US	20.7	28	1.5	NBR
873	M20	104683	US	20.7	28	1.5	FKM
010	M10	41648	US	10.35	16	2	NBR
010	M10	104328	US	10.35	16	2	FKM
874	M22	89094	US	22.7	30	2	NBR
874	M22	89101	US	22.7	30	2	FKM
875	M24	41647	US	24.7	32	2	NBR
875	M24	104686	US	24.7	32	2	FKM
	M26	174530	US	26.7	35	2	NBR
	M26	164590	US	26.7	35	2	FKM
	M27	175018	US	27.7	36	2	NBR
	M27	175032	US	27.7	36	2	FKM
	M30	175019	US	30.7	39	2	NBR

USS

Ref. No.	Thread metric	Item No.	Code	d	D	S	Mat.
	M30	164734	US	30.7	39	2	FKM
	M36	174531	US	36.7	46	2	NBR
	M36	175030	US	36.7	46	2	FKM
043	M42	41636	US	43	54	2.5	NBR
043	M42	104330	US	43	54	2.5	FKM

Abmessungen



Ref. No.	Thread imperial	BSP	Item No.	Code	d	D	S	Mat.
820	3/8	1/8	89096	US	10.37	15.88	2	NBR
820	3/8	1/8	104673	US	10.37	15.88	2	FKM
821	1/2	1/4	89087	US	13.74	20.57	2	NBR
821	1/2	1/4	104676	US	13.74	20.57	2	FKM
869	5/8		49424	US	16.51	25.4	2	NBR
869	5/8		104678	US	16.51	25.4	2	FKM
823	3/8		89088	US	17.28	23.8	2	NBR
823	3/8		104680	US	17.28	23.8	2	FKM
871	11/16		45469	US	18.16	25.4	2.5	NBR
871	11/16		104681	US	18.16	25.4	2.5	FKM
825	13/16	1/2	89095	US	21.54	28.58	2.5	NBR
825	13/16	1/2	104684	US	21.54	28.58	2.5	FKM
826	7/8	5/8	5467	US	23.49	31.75	2.5	NBR
826	7/8	5/8	104685	US	23.49	31.75	2.5	FKM
827	1	3/4	89089	US	27.05	34.93	2.5	NBR
827	1	3/4	104687	US	27.05	34.93	2.5	FKM
829	1 3/16	7/8	3979	US	30.81	38.1	2.5	NBR
829	1 3/16	7/8	104688	US	30.81	38.1	2.5	FKM
	1 5/16		1117640	US	33.89	42.8	2.5	NBR
830	1 5/16	1	89093	US	33.89	42.8	3.2	NBR
830	1 5/16	1	104689	US	33.89	42.8	3.2	FKM
	1 1/2		174903	US	38.96	47.75	3.2	NBR
	1 1/2		174904	US	38.96	47.75	3.2	FKM
832	1 5/8	1 1/4	10510	US	42.93	52.38	3.2	NBR
832	1 5/8	1 1/4	104690	US	42.93	52.38	3.2	FKM
833	1 7/8	1 1/2	90383	US	48.44	58.6	3.2	NBR
833	1 7/8	1 1/2	104691	US	48.44	58.6	3.2	FKM
834	2 1/8	1 3/4	28789	US	54.89	69.85	3.2	NBR
834	2 1/8	1 3/4	104692	US	54.89	69.85	3.2	FKM
836	2		41642	US	60.58	73.03	3.2	NBR
836	2		104693	US	60.58	73.03	3.2	FKM
838	2 1/4		45470	US	66.68	79.5	3.2	NBR
838	2 1/4		104694	US	66.68	79.5	3.2	FKM
839	2 1/2		45473	US	76.08	90.17	3.2	NBR
839	2 1/2		104695	US	76.08	90.17	3.2	FKM
879			104173	US	89.09	101.35	3.2	NBR
879			104191	US	89.09	101.35	3.2	FKM

USS**Abmessungen
Edelstahl/rost- und
säurebeständig**

Ref. No.	Thread imperial	BSP	Item No.	Code	d	D	S	Mat.
820	3/8	1/8	175750	US	10.37	15.88	2	NBR
820	3/8	1/8	175726	US	10.37	15.88	2	FKM
821	1/2	1/4	175751	US	13.74	20.57	2	NBR
821	1/2	1/4	175727	US	13.74	20.57	2	FKM
869	5/8		175752	US	16.51	25.4	2	NBR
869	5/8		175730	US	16.51	25.4	2	FKM
823		3/8	175753	US	17.28	23.8	2	NBR
823		3/8	175741	US	17.28	23.8	2	FKM
871	11/16		175754	US	18.16	25.4	2.5	NBR
871	11/16		175731	US	18.16	25.4	2.5	FKM
825	13/16	1/2	175755	US	21.54	28.58	2.5	NBR
825	13/16	1/2	175732	US	21.54	28.58	2.5	FKM
826	7/8	5/8	175756	US	23.49	31.75	2.5	NBR
826	7/8	5/8	175733	US	23.49	31.75	2.5	FKM
827	1	3/4	175757	US	27.05	34.93	2.5	NBR
827	1	3/4	175734	US	27.05	34.93	2.5	FKM
829	1 3/16	7/8	175758	US	30.81	38.1	2.5	NBR
829	1 3/16	7/8	175735	US	30.81	38.1	2.5	FKM
830	1 5/16	1	175759	US	33.89	42.8	3.2	NBR
830	1 5/16	1	151017	US	33.89	42.8	3.2	FKM
	1 1/2		175760	US	38.96	47.75	3.2	NBR
	1 1/2		175736	US	38.96	47.75	3.2	FKM
832	1 5/8	1 1/4	175761	US	42.93	52.38	3.2	NBR
832	1 5/8	1 1/4	175737	US	42.93	52.38	3.2	FKM
833	1 7/8	1 1/2	175762	US	48.44	58.6	3.2	NBR
834	2 1/8	1 3/4	175763	US	54.89	69.85	3.2	NBR
836		2	175764	US	60.58	73.03	3.2	NBR

The technical details in this catalogue are based on experience and standart tests repeated in quality assurance and are to be seen as general and non-binding approximate values which may well vary up or down. We therefore recommend that you consult our technical department for concrete cases in which limits may be reached.

The catalogue details may be altered without notice. Upon the publication of a new catalogue, previous editions cease to be valid.

Reproduction in any form requires the express consent of Dichtomatik GmbH.

**Germany**

DICHTOMATIK GMBH
Albert-Schweitzer-Ring 1
D-22045 Hamburg
P.O.Box 70 04 80
D-22004 Hamburg
Phone +49/40/66 98 90
Fax +49/40/66 98 91 01
mail@dichtomatik.de
www.dichtomatik.de

The Netherlands

DICHTOMATIK B.V.
Benjamin Franklinstraat 6
NL-8013 NC Zwolle
Postbus 40 102
NL-8004 DC Zwolle
Phone 038/460 16 06
Fax 038/467 19 00
mail@dichtomatik.nl
www.dichtomatik.nl

Great Britain

DICHTOMATIK LIMITED
Donington House
Riverside Road
Pride Park
GB-Derby DE24 8HX
Phone 01332/52 44 00
Fax 01332/52 44 04
mail@dichtomatik.co.uk
www.dichtomatik.co.uk

Austria

DICHTOMATIK HANDELSGES. MBH
Rautenweg 17
A-1220 Wien
Phone 01/259 35 41
Fax 01/259 35 41 31
mail@dichtomatik.co.at
www.dichtomatik.co.at

Sweden

DICHTOMATIK AB
Hjalmar Brantings Väg 25
S-26143 Landskrona
Box 142
S-26122 Landskrona
Phone 0418/44 98 00
Fax 0418/44 98 20
mail@dichtomatik.se
www.dichtomatik.se

Italy

DICHTOMATIK S.R.L.
Via Delle Fabbriche 6
I-16158 Genova-Voltri
Phone 010/612 75
Fax 010/613 38 61
mail@dichtomatik.it
www.dichtomatik.it

France

DICHTOMATIK S.A.S.
Espace Entreprises
Mâcon Loché TGV
F-71000 Loché
Phone 03/85 27 02 80
Fax 03/85 35 69 37
mail@dichtomatik.fr
www.dichtomatik.fr

Hungary

DICHTOMATIK KFT.
Vegyész utca 17-25
H-1116 Budapest
Phone 01/802 64 00
Fax 01/802 64 10
mail@dichtomatik.hu
www.dichtomatik.hu

USA

DICHTOMATIK North America
1087 Park Place
USA-Shakopee, Minnesota 55379
Phone 1 800 328 2840
Fax 1 877 777 6869
sales@dichtomatik.us
www.dichtomatik.us

Canada

DICHTOMATIK Canada
950 Denison Steet Unit 21
CDN-Markham, Ontario L3R3K5
Phone 905/470 22 66
Fax 905/470 20 55
sales@dichtomatik.ca
www.dichtomatik.ca