

# GPSdome 1.01

DATASHEET



**GPSdome** is a bolt-on module that provides affordable, effective protection against the jamming of GPS receivers.

It ensures continuity of the navigation and timing signals used by emergency services, logistics, security, and commercial operations. No other device that offers the same level of performance is as small, light, affordable or as easy to install and conceal as GPSdome.

## Applications

Designed with in-vehicle applications in mind, GPSdome is also suitable for a wide variety of other platforms such as personal backpack platforms, stationary applications and many more

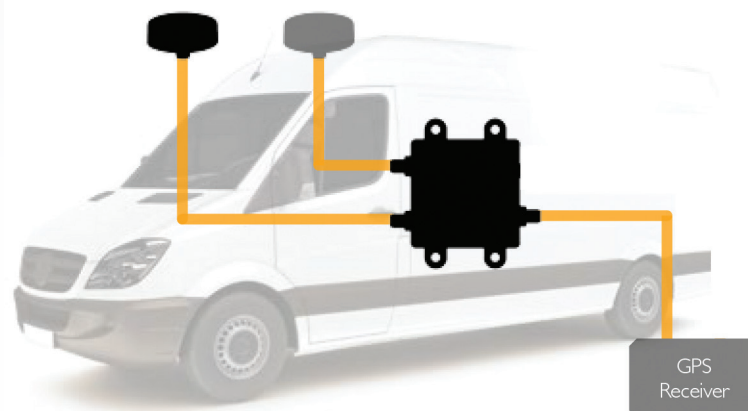
## Benefits

- Simple to install - GPSdome is a retrofit solution which does not require any changes to existing GPS installations which keeps installation time to a minimum.
- Many installation options - Its small size and low power consumption makes GPSdome ideal for installations where space and power are limited making it suitable for covert applications.
- Widely compatible - GPSdome can be deployed to add protection to existing installations which have a GPS receiver with external antenna.

## Setup

GPSdome is simply connected in-line between the existing GPS antenna and receiver. An additional GPS antenna is required (supplied) and power is taken directly from the power that the receiver provides to the antenna.

A jamming alert indicator (LED), on the device, signals green for normal operation and red when jamming is detected.



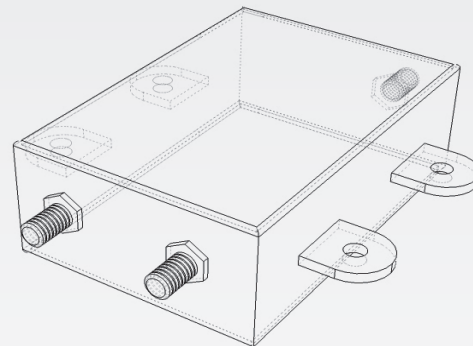
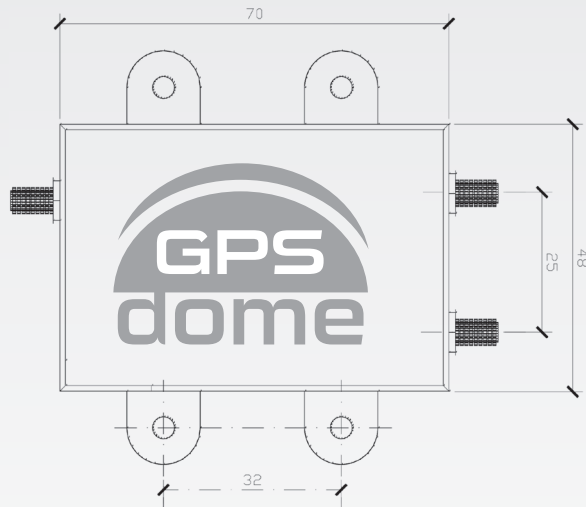
# GPSdome 1.01

DATASHEET



## Specification Summary

### Dimensions



Physical	
Enclosure	70mm x 48mm x 24mm (excluding mounting lugs)
Weight	150g
Mounting	4 x M3 bolts (not supplied)

Environmental	
Operating Temperature Range	-40°C to 85°C
Protection	IP67

Interfaces	
Primary Antenna Input (P)	50Ω SMA (for active GPS antenna)
Auxiliary Antenna Input (A)	50Ω SMA (for active GPS antenna)
RF Output to GPS Receiver (R)	50Ω SMA 3-12VDC 0.75W*

\*not for DF option

Performance	
Protected Signal	1575.42 MHz (GPS L1 C/A Code)
Latency	<1μs
Compression Point	25dBm

Safety & Compliance	
R&TTE 1999/5/EC : EN60950-1 EN301 489-1 EN301 489-3 EN300 440-2	1575.42 MHz (GPS L1 C/A Code)
RoHS compliant	
WEEE registration number WEE/GK2929WW	

Description	
GPS Dome Kit - comprising	
1 x GPS Dome Module	
2 x GPS Antennas (AA.105.301111) or Equivalent	

### Ordering Information

CAT NO	DESCRIPTION
Gpsdome 1.0	Standard products
Gpsdome 1.0 DF	Additional 3W cable for 12vdc feed and indication for jamming Status

## GPSdome 1.01

web: [www.infinidome.com](http://www.infinidome.com) | Mail: [info@infinidome.com](mailto:info@infinidome.com)  
 Tel: +972-4-6273111, Fax: +972-4-6270666  
 7 Haeshel st. Ceasarea Industrial Zone (South)  
 P.O.Box: 3558, ISRAEL, 3088900

