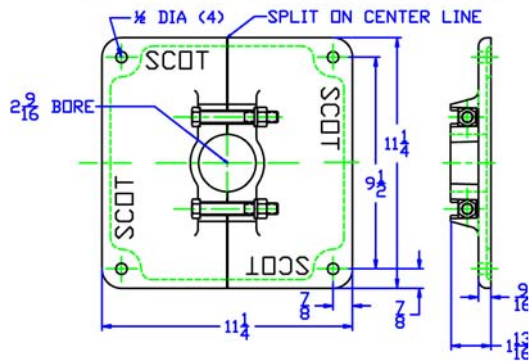


MOTOR DIMENSIONS NEMA TCV FRAME 3500 RPM TEFC

HP	PHASE	FRAME	L	AB	O	H
7.5	3	TCV215	16.16	10.24	7.46	6.23
7.5	1	TCV215	16.13	10.34	7.38	6.23
10	3	TCV215	16.16	10.34	7.38	6.23
10	1	TCV215	17.25	10.34	8.34	--
15	3	TCV215	17.19	10.34	7.38	6.23

OPTIONAL MOUNTING PLATE MP11

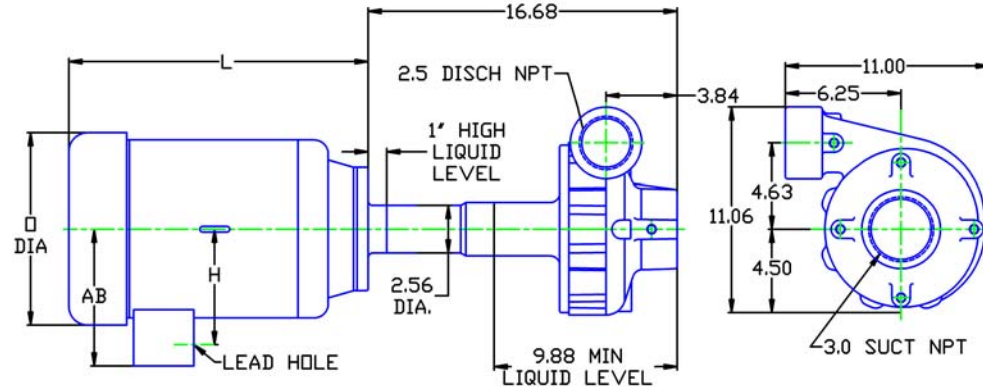


D1040 05410VWE D054TCV215 0543500

54
TCV
VWE 54 0543500TCV
81.001.183 M12

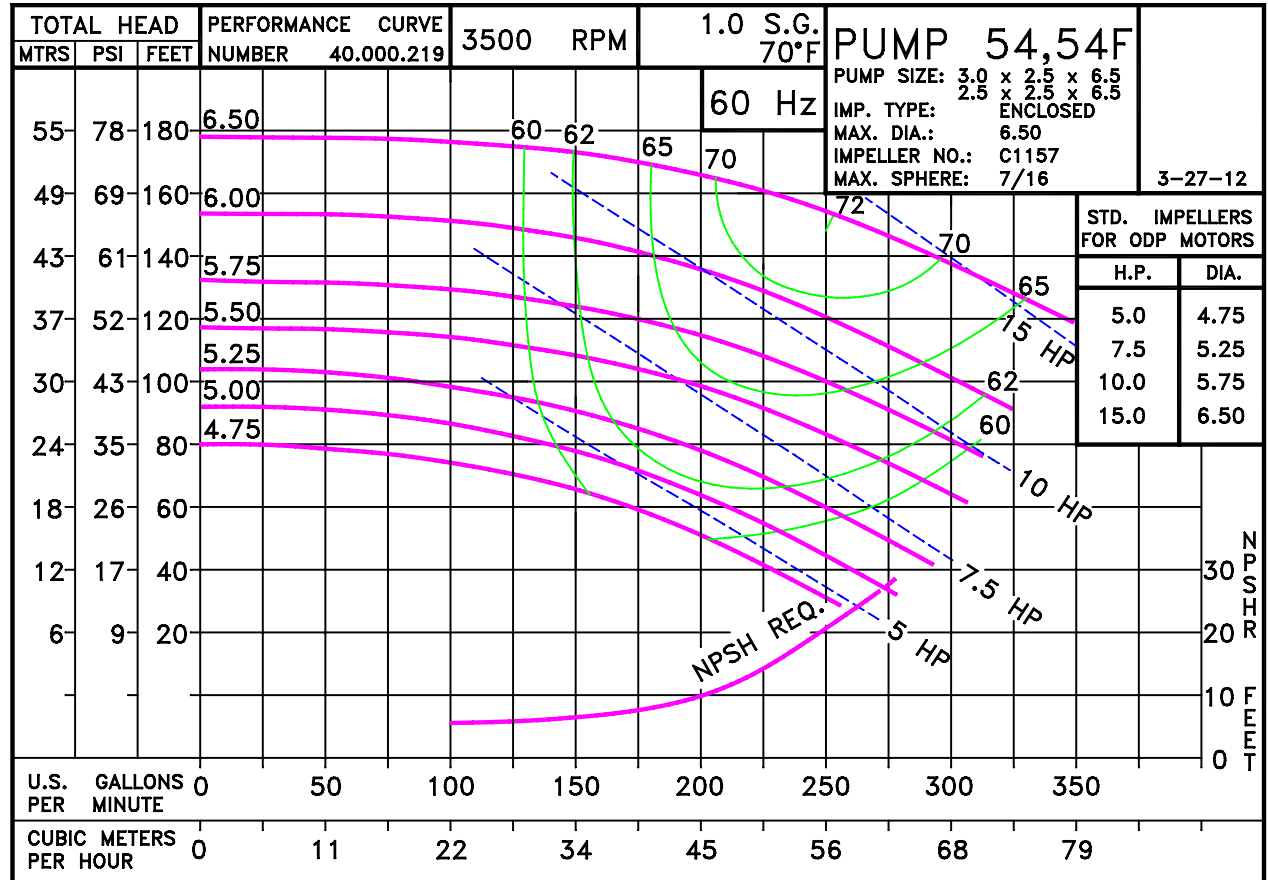
D054TCV215

DRAWING DEPICTS TCV215 10HP 3PHASE TEFC MOTOR

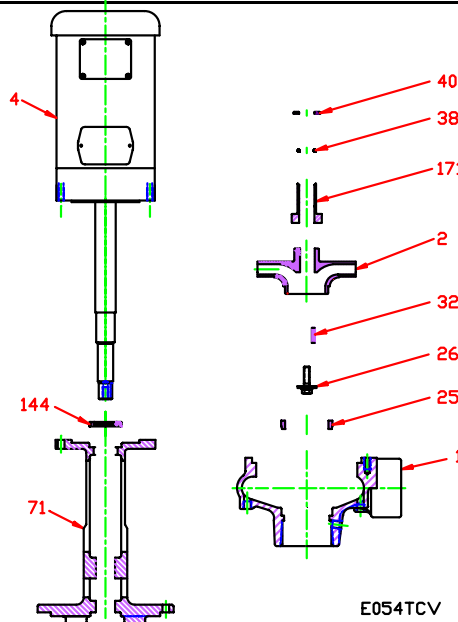


ALL DIMENSIONS IN INCHES.

DRAWING REPRESENTS APPROXIMATE PUMP DIMENSIONS. AUTOCAD DRAWING TO SCALE AVAILABLE FROM FACTORY.



VWE 54 • Iron • TCV Frame • 3500 RPM



KEY NO.	PART NAME	SPEC SERIES‡	
		3190 OLD STYLE	3435 PRESENT STYLE
1+	CASE, IRON, 3 x 2.5 NPT	130.000.249X1	
2	IMPELLER, 7/8" KEYED ENCLOSED, SPECIFY DIAMETER: IRON	131.000.812	
4	MOTOR, TCV140	See Chart	
25	WEAR RING, STEEL	103.000.153	
26*	IMPELLER RETAINER, STAINLESS	† 118.000.163A	
32*	KEY, STAINLESS	† 102.000.102	
38*	O-RING, SHAFT, VITON	--	† 116.000.105
40*	FLINGER, STAINLESS	--	† 104.000.165A
71	ADAPTER, IRON	132.000.291	† 132.000.291B
144*	LIP SEAL, BUNA	101.000.244	
171*	THROTTLE BUSHING, STEEL	110.000.348	† 110.000.348C
--	REPAIR KIT	118.000.546	118.000.628
--	RETROFIT KIT CONVERTS OLD STYLE TO PRESENT	--	118.000.625
--	MOUNTING PLATE MP11: (not shown)	118.000.329	
	MOUNTING PLATE (2 REQ'D)	132.000.292	
	CAP SCREW (2 REQ'D)	105.000.457	
	WASHER (2 REQ'D)	137.000.697	
	NUT (2 REQ'D)	105.000.122	

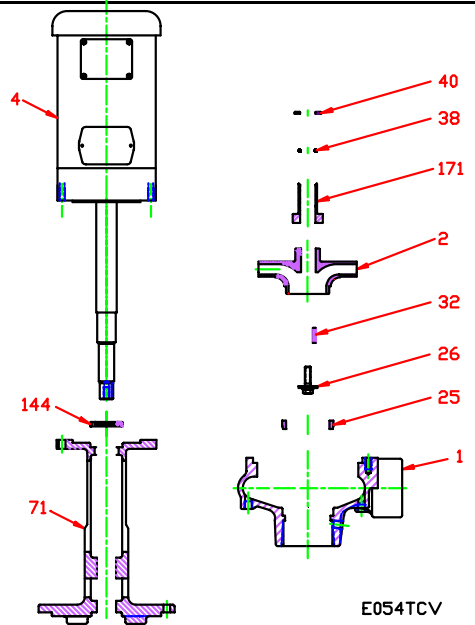
* DENOTES COMPONENTS INCLUDED IN REPAIR KIT.
 + INCLUDES STEEL WEAR RING.
 † DENOTES ITEMS INCLUDED IN RETROFIT KIT.
 ‡ SPEC SERIES 3190 WAS MANUFACTURED FROM 1984 THROUGH 01/13/04.
 SPEC SERIES 3435 IS THE CURRENT CONSTRUCTION AS OF 01/14/04.

E054TCV

M12

P0543500TCV

VWE 54 • Iron • TCV Frame • 3500 RPM



E054TCV

CONSTRUCTION OPTIONS		
KEY NO.	PART NAME	CAST IRON
1	Case	Iron
2	Impeller	Iron
25	Wear Ring	Steel
26	Impeller Retainer Assembly	Stainless
32	Key	Stainless
38	O-ring, Shaft	Viton
40	Flinger	Stainless
71	Adapter	Iron
144	Lip Seal	BUNA
171	Throttle Bushing	Steel
NS	Mounting Plate MP11: (not shown)	Iron

E054TCV

E15

C0543500TCV