

beard overrule
 iceberg smear earns
 model aroma scream join
 inform surprising
 puny
 remained
 hear
 searches
 grim assemble

Word Study

Week of April 9

visited
 lodged jest working
 signature tearful
 continued clearing shear seabirds
 unearthed general
 hair appearance consumer stayed
 digit biggest

My Name: _____

Your Words

Pick 1 to do:

- page 1
- pages 2-3

Spelling Break

Pick 1 to do:

- page 12
- page 13

Skip 5 Pages!



Spelling Workout

Pick 6 to do:

- page 4
- page 5
- page 6
- page 7
- page 8
- page 9
- page 10
- page 11

EAR Words

Pick 2 to do:


- page 14
- page 15
- page 16

Name: _____

edHelper

Picture Dictionary

Draw a picture of 11 of your words. Write the word in cursive.



EXAMPLE. laughed

1. _____

2. _____

3. _____

4. _____

5. _____

Name: _____

edHelper

6. _____

7. _____

8. _____

9. _____

10. _____

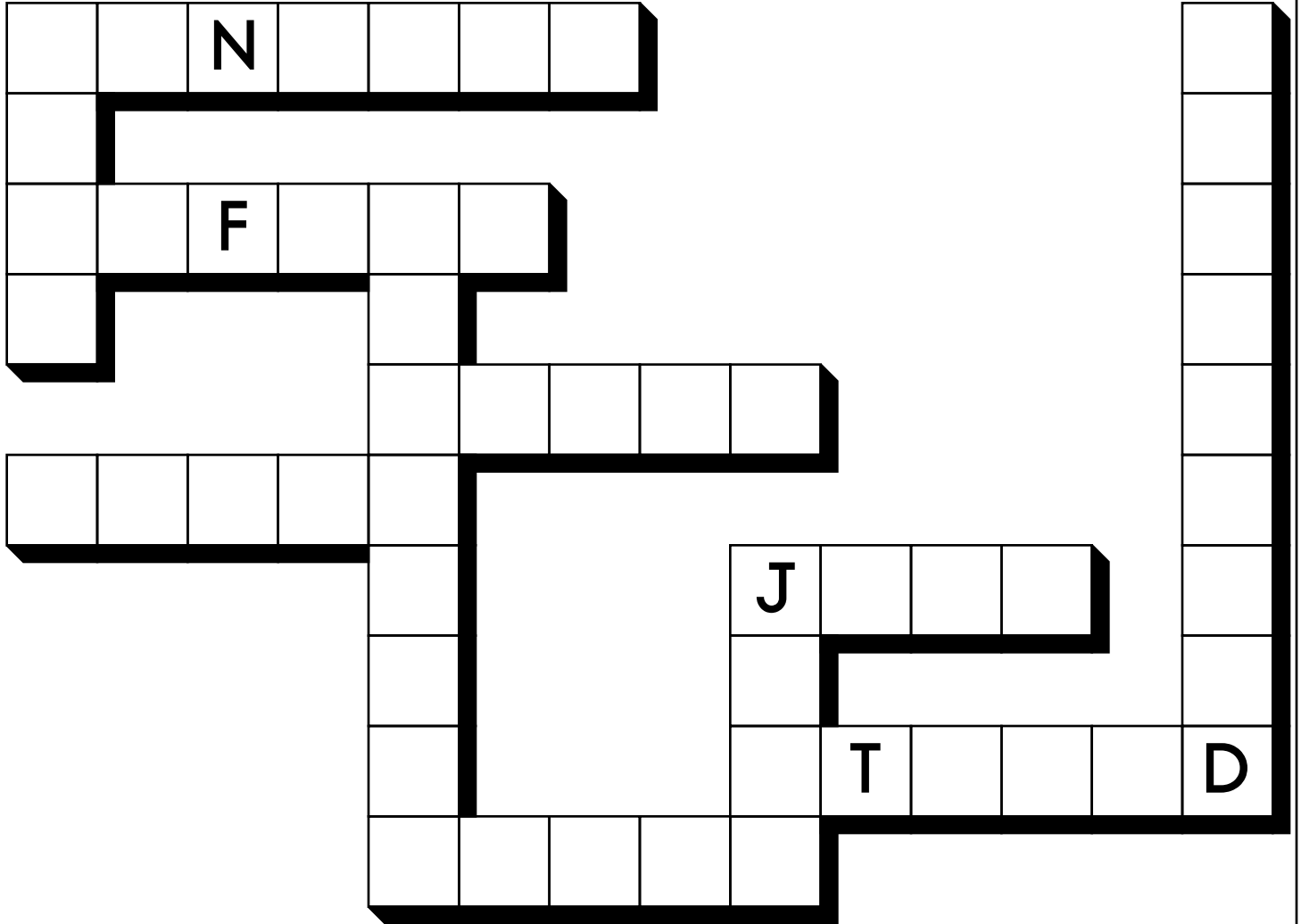
11. _____

Name: _____

edHelper

REMAINED • JOIN • AROMA • JEST • MODEL • CONTINUED
INFORM • GRIM • DIGIT • GENERAL • STAYED

Write each word into the puzzle.



Write a letter that has a line of symmetry.

Circle the relative adverb.

Come with me and I will show you the place where I graduated from college.

Name: _____

Use each word ONCE. Cross off each word after it is used.

earns • stayed • shear • beard • unearthed • working • tearful
 aroma • assemble • inform • clearing • searches • continued
 consumer • hear • iceberg • remained • lodged • jest • join
 smear • surprising • appearance • visited • biggest • scream

These words have "ear" in them.

___ e a r ___ _____
 ___ e a r ___ _____
 _____ _____
 _____ _____

These words have "ed" in them.

_____ e d
 _____ e d

These words have the short u sound like in cover.

_____ b l e
 ___ g g ___

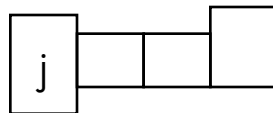
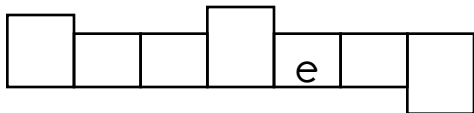
These words have "in" in them.

___ i n
 _____ i n

These words have "hear" in them.

h e a r _____

Fit the rest of the words into these shapes.



Name: _____

continued • consumer • smear • searches • assemble • shear

Each row, column, and box must have all the words from the word list. Write in the missing words.

consumer			shear		smear
				searches	
	assemble			shear	
		continued			
		assemble			searches
				consumer	

How many centimeters are in 20 millimeters?

_____ centimeters

In the number 369,728,711, the digit 6 is in what place?

 If you multiply 450×684 , you will have a number that is how much bigger than 150×342 ?

It will be seven times as big.

It will be six times as big.

It will be twice as big.

It will be three times as big.

It will be eight times as big.

$$\begin{array}{r} 80 \\ - 31 \\ \hline \end{array}$$

$$\begin{array}{r} 32 \\ + 35 \\ \hline \end{array}$$

$11 \times 9 =$

$$\begin{array}{r} 445 \\ + 251 \\ \hline \end{array}$$

$(5 + 9) + 7 =$

Name: _____

Which way does each word go? Write the word.

<p>1. ↘ RARE → RIGID ↙ RUNG ← ROAR ↓ REDUCTIONS</p>	<p>1. ↙ POLICE ← PHASE ↘ PUT → POT ↓ PORCHES</p> <p>2. PEAK PICK POUR ↓ PLASTIC</p>																																																																																																																																																																																																																																																					
<table border="1" style="margin: auto; border-collapse: collapse;"> <tr><td></td><td></td><td></td><td style="text-align: center;">1</td><td style="text-align: center;">R</td><td style="text-align: center;">I</td><td style="text-align: center;">G</td><td style="text-align: center;">I</td><td style="text-align: center;">D</td><td></td><td></td></tr> <tr><td style="background-color: #cccccc;"></td><td style="background-color: #cccccc;"></td><td style="background-color: #cccccc;"></td><td></td><td></td><td></td><td></td><td></td><td></td><td style="background-color: #cccccc;"></td><td style="background-color: #cccccc;"></td></tr> <tr><td style="background-color: #cccccc;"></td><td style="background-color: #cccccc;"></td><td style="background-color: #cccccc;"></td><td></td><td></td><td></td><td></td><td></td><td></td><td style="background-color: #cccccc;"></td><td style="background-color: #cccccc;"></td></tr> <tr><td style="background-color: #cccccc;"></td><td style="background-color: #cccccc;"></td><td style="background-color: #cccccc;"></td><td></td><td></td><td></td><td></td><td></td><td></td><td style="background-color: #cccccc;"></td><td style="background-color: #cccccc;"></td></tr> <tr><td style="background-color: #cccccc;"></td><td style="background-color: #cccccc;"></td><td style="background-color: #cccccc;"></td><td></td><td></td><td></td><td></td><td></td><td></td><td style="background-color: #cccccc;"></td><td style="background-color: #cccccc;"></td></tr> <tr><td style="background-color: #cccccc;"></td><td style="background-color: #cccccc;"></td><td style="background-color: #cccccc;"></td><td></td><td></td><td></td><td></td><td></td><td></td><td style="background-color: #cccccc;"></td><td style="background-color: #cccccc;"></td></tr> <tr><td style="background-color: #cccccc;"></td><td style="background-color: #cccccc;"></td><td style="background-color: #cccccc;"></td><td></td><td></td><td></td><td></td><td></td><td></td><td style="background-color: #cccccc;"></td><td style="background-color: #cccccc;"></td></tr> <tr><td style="background-color: #cccccc;"></td><td style="background-color: #cccccc;"></td><td style="background-color: #cccccc;"></td><td></td><td></td><td></td><td></td><td></td><td></td><td style="background-color: #cccccc;"></td><td style="background-color: #cccccc;"></td></tr> <tr><td style="background-color: #cccccc;"></td><td style="background-color: #cccccc;"></td><td style="background-color: #cccccc;"></td><td></td><td></td><td></td><td></td><td></td><td></td><td style="background-color: #cccccc;"></td><td style="background-color: #cccccc;"></td></tr> <tr><td style="background-color: #cccccc;"></td><td style="background-color: #cccccc;"></td><td style="background-color: #cccccc;"></td><td></td><td></td><td></td><td></td><td></td><td></td><td style="background-color: #cccccc;"></td><td style="background-color: #cccccc;"></td></tr> <tr><td style="background-color: #cccccc;"></td><td style="background-color: #cccccc;"></td><td style="background-color: #cccccc;"></td><td></td><td></td><td></td><td></td><td></td><td></td><td style="background-color: #cccccc;"></td><td style="background-color: #cccccc;"></td></tr> <tr><td style="background-color: #cccccc;"></td><td style="background-color: #cccccc;"></td><td style="background-color: #cccccc;"></td><td></td><td></td><td></td><td></td><td></td><td></td><td style="background-color: #cccccc;"></td><td style="background-color: #cccccc;"></td></tr> <tr><td style="background-color: #cccccc;"></td><td style="background-color: #cccccc;"></td><td style="background-color: #cccccc;"></td><td></td><td></td><td></td><td></td><td></td><td></td><td style="background-color: #cccccc;"></td><td style="background-color: #cccccc;"></td></tr> <tr><td style="background-color: #cccccc;"></td><td style="background-color: #cccccc;"></td><td style="background-color: #cccccc;"></td><td></td><td></td><td></td><td></td><td></td><td></td><td style="background-color: #cccccc;"></td><td style="background-color: #cccccc;"></td></tr> <tr><td style="background-color: #cccccc;"></td><td style="background-color: #cccccc;"></td><td style="background-color: #cccccc;"></td><td></td><td></td><td></td><td></td><td></td><td></td><td style="background-color: #cccccc;"></td><td style="background-color: #cccccc;"></td></tr> </table>				1	R	I	G	I	D																																																																																																																																																													<table border="1" style="margin: auto; border-collapse: collapse;"> <tr><td style="background-color: #cccccc;"></td><td style="background-color: #cccccc;"></td><td style="background-color: #cccccc;"></td><td style="background-color: #cccccc;"></td><td style="text-align: center;">1</td><td style="text-align: center;">P</td><td style="background-color: #cccccc;"></td><td style="background-color: #cccccc;"></td><td style="background-color: #cccccc;"></td><td style="background-color: #cccccc;"></td></tr> <tr><td style="background-color: #cccccc;"></td><td style="background-color: #cccccc;"></td><td style="background-color: #cccccc;"></td><td style="text-align: center;">2</td><td style="text-align: center;">P</td><td style="text-align: center;">O</td><td style="background-color: #cccccc;"></td><td style="background-color: #cccccc;"></td><td style="background-color: #cccccc;"></td><td style="background-color: #cccccc;"></td></tr> <tr><td style="background-color: #cccccc;"></td><td style="background-color: #cccccc;"></td><td style="background-color: #cccccc;"></td><td style="background-color: #cccccc;"></td><td style="text-align: center;">L</td><td style="text-align: center;">R</td><td style="background-color: #cccccc;"></td><td style="background-color: #cccccc;"></td><td style="background-color: #cccccc;"></td><td style="background-color: #cccccc;"></td></tr> <tr><td style="background-color: #cccccc;"></td><td style="background-color: #cccccc;"></td><td style="background-color: #cccccc;"></td><td style="background-color: #cccccc;"></td><td style="text-align: center;">A</td><td style="text-align: center;">C</td><td style="background-color: #cccccc;"></td><td style="background-color: #cccccc;"></td><td style="background-color: #cccccc;"></td><td style="background-color: #cccccc;"></td></tr> <tr><td style="background-color: #cccccc;"></td><td style="background-color: #cccccc;"></td><td style="background-color: #cccccc;"></td><td style="background-color: #cccccc;"></td><td style="text-align: center;">S</td><td style="text-align: center;">H</td><td style="background-color: #cccccc;"></td><td style="background-color: #cccccc;"></td><td style="background-color: #cccccc;"></td><td style="background-color: #cccccc;"></td></tr> <tr><td style="background-color: #cccccc;"></td><td style="background-color: #cccccc;"></td><td style="background-color: #cccccc;"></td><td style="background-color: #cccccc;"></td><td style="text-align: center;">T</td><td style="text-align: center;">E</td><td style="background-color: #cccccc;"></td><td style="background-color: #cccccc;"></td><td style="background-color: #cccccc;"></td><td style="background-color: #cccccc;"></td></tr> <tr><td style="background-color: #cccccc;"></td><td style="background-color: #cccccc;"></td><td style="background-color: #cccccc;"></td><td style="background-color: #cccccc;"></td><td style="text-align: center;">I</td><td style="text-align: center;">S</td><td style="background-color: #cccccc;"></td><td style="background-color: #cccccc;"></td><td style="background-color: #cccccc;"></td><td style="background-color: #cccccc;"></td></tr> <tr><td style="background-color: #cccccc;"></td><td style="background-color: #cccccc;"></td><td style="background-color: #cccccc;"></td><td style="background-color: #cccccc;"></td><td style="text-align: center;">C</td><td style="background-color: #cccccc;"></td><td style="background-color: #cccccc;"></td><td style="background-color: #cccccc;"></td><td style="background-color: #cccccc;"></td><td style="background-color: #cccccc;"></td></tr> </table>					1	P								2	P	O									L	R									A	C									S	H									T	E									I	S									C					
			1	R	I	G	I	D																																																																																																																																																																																																																																														
				1	P																																																																																																																																																																																																																																																	
			2	P	O																																																																																																																																																																																																																																																	
				L	R																																																																																																																																																																																																																																																	
				A	C																																																																																																																																																																																																																																																	
				S	H																																																																																																																																																																																																																																																	
				T	E																																																																																																																																																																																																																																																	
				I	S																																																																																																																																																																																																																																																	
				C																																																																																																																																																																																																																																																		

The circus is in town! Tickets are only \$6 for kids. Adults need to pay double the price of kids tickets. Erin is bringing four of her friends in her class. Her mom is also coming. Erin wants to pay for everyone. How much will she need to pay?

$$\begin{array}{r}
 30 \\
 + 23 \\
 \hline
 \end{array}$$



7 km = _____ m

How many kilograms are in 7,000 grams?
_____ kilograms

1 cm = 10 mm
21 cm = _____ mm

Circle the correctly spelled words.
sentury, century
cimple, simple
sidewalk, sidewok

Name: _____

- | | | | |
|---|--|---------------------------|---|
| 1. GESTURE
GENERAL
GOT
↘ GIFT
GRAPEFRUITS | 2. ESTABLISH
EAGLE
EXPAND
↘ EJECT | 3. TO
↘ TOWER
TAPER | 5. ↘ WE
WHICH |
| | | 4. ↓ OFFER | 6. ARMY
↑ APT
ASSIST
AUNT
AID
ARREST |

						1			
				2					
				3					
			4	O					
		5	F						
			F						
			E		6				
			R						
			7	S					
		8	I						
						9	S		
							O		
							U		
								R	

- | |
|--|
| 7. SUIT
← SHED
SO |
| 8. IS
IRON
← ITS |
| 9. STOP
STIR
STOLE
↘ SEEK
SOUR |

$$\begin{array}{r} 72 \\ - 50 \\ \hline \end{array}$$

Write this as a number in standard form.
Use a comma in your number.

eight hundred sixty-four thousand, two hundred thirty-six

$$99 \div 11 =$$

Holly has two favorite numbers. If you add her favorite numbers, you get 19. If you multiply her favorite numbers, you get 70. What are her mystery numbers?

$$\begin{array}{r} 456 \\ + 347 \\ \hline \end{array}$$

$$\begin{array}{r} 501 \\ - 477 \\ \hline \end{array}$$

$$8 \times 3 =$$



Name: _____

Use each of the blocks to spell seven of your spelling words.

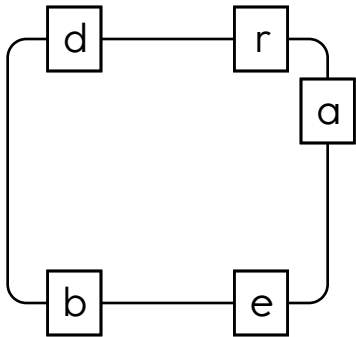
I R A L D E I N E R L S H

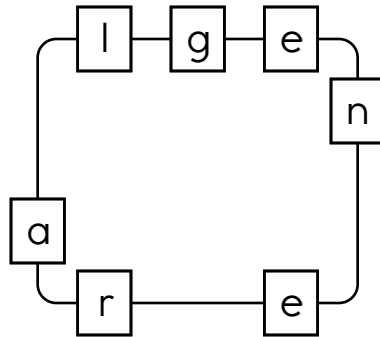
E A Y E A N T C O N U H
U N K O G P

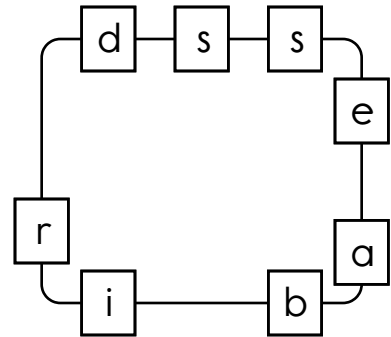
~~M O~~ W R R
~~D~~ G I E N

1.							2.	M	O		
3.									D		
4.									5.		
6.									7.		

Write the hidden word. Start at one letter and then move either left or right. Continue in same direction.







How many feet are in 8 yards?

_____ feet

Cross out the word that is **not** a relative adverb.

how, but, why, when

16 km = _____ m

Insert punctuation marks into this sentence.

Mom called upstairs to me Are you ever going to get down here for breakfast?



Name: _____

Week of April 9
Fifth Grade

Circle the two best synonyms for each word. Hint: A dictionary might come in handy.

- | | | | |
|----------------|----------------|---------------|-------------|
| 1. puny | scrawny | minor | scarce |
| 2. overrule | reject | cancel | gossip |
| 3. surprising | magnify | extraordinary | astonishing |
| 4. working | functioning | civic | shaping |
| 5. hair | pioneer | mane | wool |
| 6. continued | require | chronic | continuous |
| 7. shear | prim | clip | trim |
| 8. smear | cover | support | affront |
| 9. tearful | sad | crying | revolver |
| 10. join | line | graceful | joint |
| 11. biggest | principal | largest | afar |
| 12. inform | single-handed | tell | notify |
| 13. beard | unearth | fuzz | mustache |
| 14. model | style | aching | mold |
| 15. aroma | bouquet | stretch | odor |
| 16. clearing | downward | payment | clearance |
| 17. hear | learn | heed | sharpen |
| 18. general | common | all-purpose | incentive |
| 19. appearance | form | rain | exterior |
| 20. lodged | wedged | stiff | compartment |

What time is 15 hours after 1:00 a.m.?

1 km = 1,000 m

29 km = _____ m



Circle the digit in the hundredths place.

5,927.28

$$\begin{array}{r} 558 \\ - 548 \\ \hline \end{array}$$

$$\begin{array}{r} 27 \\ - 17 \\ \hline \end{array}$$

Use a dictionary to find the correct pronunciation of this word. Write that pronunciation on the line.

homonym

How many kilograms are in 5,000 grams?

_____ kilograms

Name: _____

Circle words to the RIGHT or DOWN. Every letter is used exactly ONCE.

O T W H F J E S T S W A Y T I
 V O O E O P U N Y E B E G E C
 E D R A X H A I R A E S A E
 R I K R B E A R D R A J H R B
 R G I L O D G E D C R O E F E
 U I N U A R O M A H N I A U R
 L T G S G R I M E S N R L G
 E C L E A R I N G S M O D E L

Write the words found:

MODEL _____	SEARCHES _____	_____	_____
_____	_____	_____	_____
_____	_____	_____	_____
_____	_____	_____	_____
_____	_____	_____	_____
_____	_____	_____	_____

$\begin{array}{r} 47 \\ + 34 \\ \hline \end{array}$	What can you multiply by 9 to get 4?	$\begin{array}{r} 248 \\ + 356 \\ \hline \end{array}$	$\begin{array}{r} 695 \\ - 427 \\ \hline \end{array}$

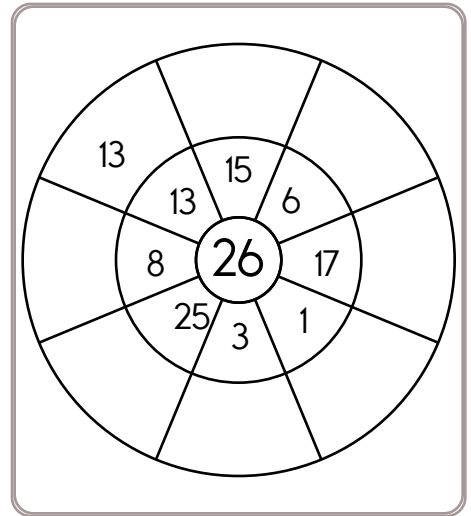
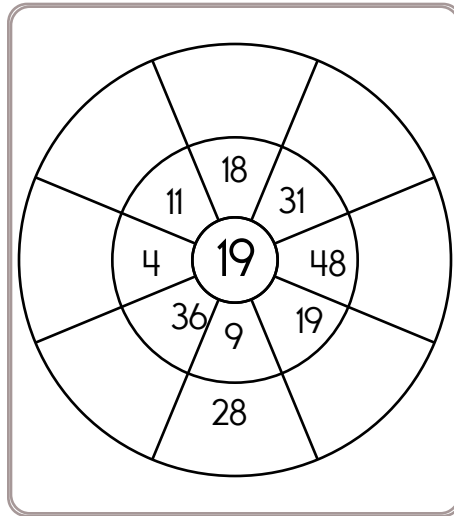
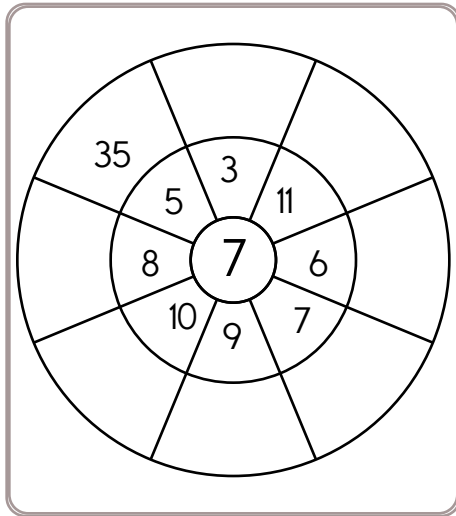
For 670,689,559, write the digit that is in the hundred thousands place. _____	$\begin{array}{r} 54 \\ - 41 \\ \hline \end{array}$	$77 \div 11 =$ _____
---	---	-----------------------------



How many grams are in 2 kilograms? _____ grams	Write the missing family fact. $61 - 32 = 29$ $61 - 29 = 32$ $32 + 29 = 61$ _____
$5 \times 8 =$	

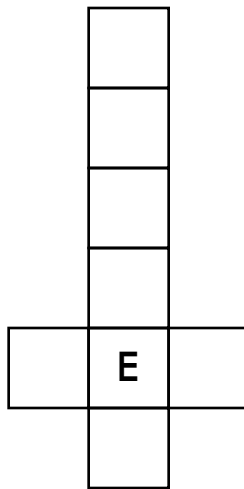
Name: _____

Start with the number in the center and then either add, subtract, or multiply.



Robert went to the annual book sale at the library. He bought 5 books about penguins. He paid a total of \$31.25 for the books. If each book cost the same amount, how much did he pay for each book?

Use each of the letters to fill in the grid.
Write two words.



[D]

[A]

[N]

[S]

[G]

[R]

[E]

$$\begin{array}{r} 33 \\ + 26 \\ \hline \end{array}$$



1 cm = 10 mm

13 cm = _____ mm

56 ÷ 8 =

14 lb = _____ oz

Name: _____

Read the topic. Try to make it better. The first one is done for you.

Topic: school

1. finishing a sheet of math problems very quickly _____
2. _____

One year on Pluto is equal to 248.54 Earth years. Round the decimal off to the nearest tenth.

$$\begin{array}{r} \frac{1}{3} \\ - \frac{2}{6} \\ \hline \end{array}$$

$$\begin{array}{r} \frac{5}{8} \\ - \frac{2}{4} \\ \hline \end{array}$$

add the ending ing

add ing

double final
consonant
add ing

drop e
add ing

oddball

1. corral _____ corraling
2. scratch _____
3. bottle _____
4. perish _____
5. matter _____
6. roast _____

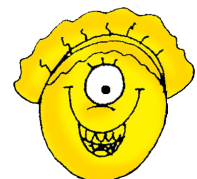
<input type="checkbox"/>	<input checked="" type="checkbox"/>	<input type="checkbox"/>	<input type="checkbox"/>
<input type="checkbox"/>	<input type="checkbox"/>	<input type="checkbox"/>	<input type="checkbox"/>
<input type="checkbox"/>	<input type="checkbox"/>	<input type="checkbox"/>	<input type="checkbox"/>
<input type="checkbox"/>	<input type="checkbox"/>	<input type="checkbox"/>	<input type="checkbox"/>
<input type="checkbox"/>	<input type="checkbox"/>	<input type="checkbox"/>	<input type="checkbox"/>
<input type="checkbox"/>	<input type="checkbox"/>	<input type="checkbox"/>	<input type="checkbox"/>

How many pounds are in 96 ounces?
_____ pounds

Write a letter that has two or more lines of symmetry.

What time is 14 hours after 3:00 a.m.?

Circle the relative adverb.
That's the school where I went to kindergarten.



Name: _____

EAR Words

EAR makes /ihr/ sound

R A E H S Y L R A E L C R E F N E
 Y G B Y D R D E R A E P P A E R R
 N E A R E R A R E A R I N G E E Y
 U N C L E A R E T S E R A E L C L
 Y E A R L Y R F F A D R E A R Y R
 R A E T F O V E R H E A R I N G A
 A P P E A R S F E A R F U L A U E
 W E A R Y F F E A R L E S S R E N
 D E E A R M U F F S M E A R R Y P
 B E A R D S S H E A R I N G F R E

FEARLESS • REAPPEAR • SHEARING
 APPEARS • EAR • FEARS • UNCLEAR
 CLEARLY • YEARLY • OVERHEARING
 NEARLY • FEARFUL • REAPPEARED
 DREARY • NEARER • BEARD
 CLEAREST • EARMUFFS • SMEAR
 HEAR • WEARY • YEAR • REARING

EAR makes /ur/ sound

G E C A U T H G I L H C R A E S L
 H N T G E N M R T T E G R C A P W
 R R I E B D E R O E A A N L E N M
 R G E H C C E A O T R E J E D M E
 E H I D C E R N R W T E R A R N A
 G H E A L R U K R T H G R R C E E
 G A L R D N A T W A H T E N G C C
 E R J G A O D E R H E I R S C E A
 E H D R N N A R S N L L N A W T S
 A H S R E A R T H E N H H G E O W

LEARNS • EARTHWORM • EARTH
 EARNED • EARTHEN • SEARCHING
 SEARCHLIGHT • UNEARTHING

Does the "EAR" in each word have the ihr or ur sound? Circle the sound that "EAR" makes.

earthen	ihr	ur	searchlight	ihr	ur	hears	ihr	ur
earmuffs	ihr	ur	nearing	ihr	ur	heard	ihr	ur
reappeared	ihr	ur	searches	ihr	ur	earthly	ihr	ur
searching	ihr	ur	dreary	ihr	ur	unearthed	ihr	ur
nearly	ihr	ur	earth	ihr	ur	disappears	ihr	ur
near	ihr	ur	overhearing	ihr	ur	ear	ihr	ur
neared	ihr	ur	nearby	ihr	ur	learning	ihr	ur
appears	ihr	ur	clear	ihr	ur	appearing	ihr	ur

Name: _____

EAR Words

EAR Words

gears • fearless • clearer • heard • shear • learnt • smear
searchlight • learning • disappears • earn • searching

EAR makes /ihr/ sound as in dear	EAR makes /ur/ sound as in search	not sure
shear	searchlight	
_____	_____	_____
_____	_____	_____
_____	_____	_____
_____	_____	_____
_____	_____	_____

Help! Some of the EAR words from this page and the previous page are written like they sound. Can you figure out the real spelling of these words? Good luck.

lurnt learnt _____

rēuhpihrd _____

urnd _____

ihr _____

shihrihNG _____

hihr _____

fihrz _____

klihrur _____

ihrmuhfs _____

uhpihrihNG _____

nihrlē _____

uhnklihr _____

ō kōz → cause

oo choo → chew

ā kāk → cake

ē fēt → feet

ī īs → ice

ō bōt → boat

ū kūt → cute

Name: _____

edHelper

EAR Words

wiat • sae • birhtday • my • inside • off • birthday • eating
 sea • ~~wait~~ • see • within • weight • wayght • tearing • af
 tearing

What's the best part about celebrating a _____? Some people think it's
 _____ the cake. I think it's _____ the wrapping
 paper _____ gifts. I can never
 _____ wait _____ to _____ what is hidden
 _____ just for me.

tiem • tio • two • year • teo • birthday • too • ono • ~~one~~
 won • baydihd • braided • yeur • necklaces • nearly • brithday
 time • favorite

The jewelry box was filled with old and new _____. Julie's aunt had
 given her one every _____ on her _____. Her
 _____ one _____ had _____
 dainty gold chains _____ together. She wore it
 _____ every day.