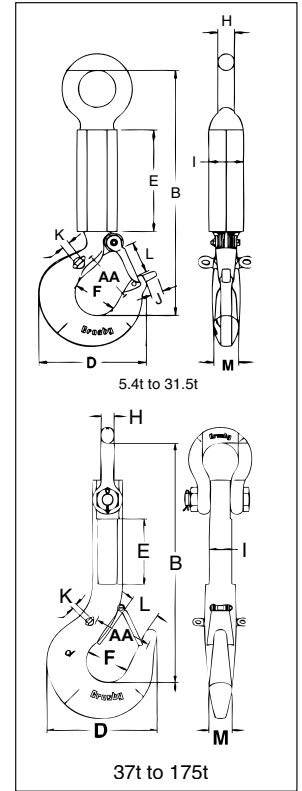


Crosby® ROV Eye Shank Hooks



L-562A
ROV EYE
SHANK HOOK

- Hook identification code stamped on each hook.
- Quenched and Tempered.
- QUIC-CHECK® angle indicators forged into the top eye; and deformation and angle indicators forged on the hook.
- Fluorescent yellow finish for high “subsea” visibility.
- Tip extension allows for easy handling.
- Sizes 5.4t through 31.5t utilize new integrated latch (S-4320) that meets the world-class standard for lifting.
 - Heavy duty stamped latch interlocks with the hook tip.
 - High cycle, long life spring.
- Pad eyes are provided on either side of hook as cable guides. The cable is passed through a hole drilled in the latch that assists in allowing the “remotely operated” cable to open latch.
- Cables and drilled latches are not provided by Crosby. They can be fitted by your local Authorized Crosby Dealer.



Fatigue Rated

Load Rated

CE

QT
QUENCHED & TEMPERED

QUIC-CHECK®

SEE APPLICATION AND WARNING INFORMATION
On Pages 153 - 154
Para Español: www.thecrosbygroup.com

L-562A ROV Eye Shank Hooks

Working Load Limit (t)	Hook ID Code	L-562A Stock No.	Weight Each (lbs.)	Dimensions (in.)											Replacement Latch Stock No.
				I	E	B	D	J	F	M	H	L	K	AA**	
†5.4	IA	1297722	21	2.56	9.84	16.57	4.84	.39	2.00	1.13	.88	1.36	.25	2.50	1096515
†11.5	KA	1297792	33	2.56	9.84	20.39	7.54	1.18	3.00	1.63	1.25	2.08	.38	4.00	1096611
†16	LA	1297806	42	2.56	9.84	21.65	8.34	1.18	3.25	1.94	1.38	2.27	.38	4.00	1096657
†22	NA	1297862	68	3.35	9.84	23.94	10.34	1.77	4.25	2.38	1.59	3.02	.75	5.00	1096704
†31.5	OA	1298042	97	3.35	9.84	26.00	13.62	-	5.00	3.00	1.89	3.62	.75	6.50	1090161
‡37	PA	1298049	97	3.15	9.25	32.58	14.06	-	5.38	3.00	1.84	3.75	.75	7.00	1090189
‡45	SA	1298057	198	3.15	9.25	34.07	15.44	-	6.00	3.25	1.84	4.25	.75	8.00	1090189
‡60	TA	1298087	289	3.54	8.46	37.06	18.50	-	7.00	3.91	2.08	5.12	.75	10.00	1090205
‡100	WA	1298103	668	5.51	11.81	46.67	23.00	-	6.81	5.50	2.71	4.88	.75	12.00	1090241
‡150	XA	1298117	871	5.91	9.06	48.53	24.38	-	6.75	6.00	3.62	5.38	.75	13.00	1090241
**175	YA	1298130	1135	6.69	10.04	52.24	26.69	-	7.50	7.00	4.00	-	.75	13.00	143062

*Minimum Ultimate Load is 4 times the Working Load Limit. ** Deformation Indicators. † Utilizes Crosby S319N style hook. Maximum proof load is 2 times the Working Load Limit. ‡ Utilizes Crosby G-2140 shackle as eye.