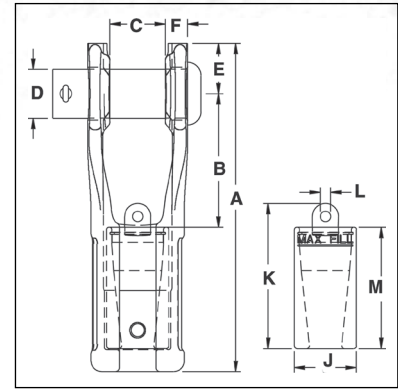


# Button Spelter Sockets



**SB-427**  
Button Spelter  
Socket

- Available in six sizes from 1/2" to 1-1/2", (13mm - 38mm).
- Button Spelter terminations have a 100% efficiency rating, based on the catalog strength of the wire rope.
- Designed for use with mobile cranes. Can be used to terminate high performance, rotation resistant ropes, and standard 6 strand ropes.
- Easy to install assembly utilizes Crosby WIRELOCK® socketing compound.
- Sockets and buttons are re-usable.
- Replacement buttons and sockets are available.
- Locking feature available to prevent rotation of rope.
- Button contains cap with eye that can be attached to, and used to pull, rope during reeving process.
- Manufactured to the requirements of API-2C.



## SB-427 Button Spelter Sockets

Wire Rope Size		SB-427 Stock No.	Ultimate Load (t)	Weight Each (lbs.)	Socket Only Stock No.	Button Only Stock No.	Dimensions (in.)										Tolerance +/- C
(in.)	(mm)						A	B	C	D	E	F	J	K	L	M	
1/2 - 5/8	13-16	1052005	27	6.1	1052107	1052309	7.94	3.23	1.28	1.19	1.22	.57	1.50	3.50	.25	2.93	.06
5/8 - 3/4	16-19	1052014	45	10.3	1052116	1052318	9.44	3.88	1.53	1.38	1.44	.66	1.75	4.28	.38	3.43	.06
3/4 - 7/8	19-22	1052023	57	17.1	1052125	1052327	10.81	4.41	1.78	1.62	1.69	.75	2.06	4.78	.38	3.96	.06
7/8 - 1	22-26	1052032	82	29.2	1052134	1052336	12.88	5.48	2.03	2.00	2.00	.89	2.44	5.62	.62	4.52	.09
1-1/8 - 1-1/4	28-32	1052041	136	46.0	1052143	1052345	14.90	5.68	2.53	2.25	2.50	1.11	2.94	7.08	.75	5.72	.09
1-3/8 - 1-1/2	35-38	1052050	161	78.0	1052152	1052354	18.06	7.17	3.03	2.75	2.75	1.24	3.62	8.08	.75	6.76	.09

## SB-427TB (Bolt, Nut and Cotter Pin)

Wire Rope Size		SB-427TB Stock No.	Ultimate Load (t)	Weight Each (lbs.)	Socket Only Stock No.	Button Only Stock No.	Dimensions (in.)										Tolerance +/- C
(in.)	(mm)						A	B	C	D	E	F	J	K	L	M	
1/2 - 5/8	13-16	1052406	27	6.1	1052107	1052309	7.94	3.23	1.28	1.19	1.22	.57	1.50	3.50	.25	2.93	.06
5/8 - 3/4	16-19	1052415	45	10.3	1052116	1052318	9.44	3.88	1.53	1.38	1.44	.66	1.75	4.28	.38	3.43	.06
3/4 - 7/8	19-22	1052424	57	17.1	1052125	1052327	10.81	4.41	1.78	1.62	1.69	.75	2.06	4.78	.38	3.96	.06
7/8 - 1	22-26	1052433	82	29.2	1052134	1052336	12.88	5.48	2.03	2.00	2.00	.89	2.44	5.62	.62	4.52	.09
1-1/8 - 1-1/4	28-32	1052442	136	46.0	1052143	1052345	14.90	5.68	2.53	2.25	2.50	1.11	2.94	7.08	.75	5.72	.09
1-3/8 - 1-1/2	35-38	1052451	161	78.0	1052152	1052354	18.06	7.17	3.03	2.75	2.75	1.24	3.62	8.08	.75	6.76	.09

## Wirelock® Requirements

Wire Rope Size		WIRELOCK Required (cc)	WIRELOCK Stock No.	WIRELOCK Kit Size (cc)
(in.)	(mm)			
1/2 - 5/8	13-16	35	1039602	100
5/8 - 3/4	16-19	60	1039602	100
3/4 - 7/8	19-22	100	1039602	100
7/8 - 1	22-26	140	1039602*	100
1-1/8 - 1-1/4	28-32	250	1039604	250
1-3/8 - 1-1/2	35-38	420	1039606	500

\* 2 kits required.



Scan this QR code with your smart device to view our Wedge and Button Sockets video.