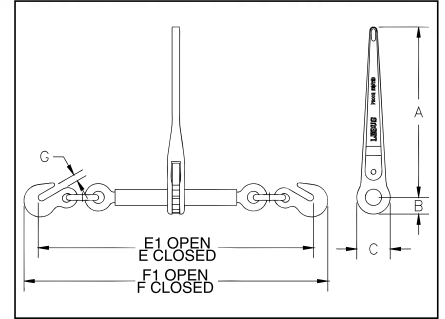


**L-140**  
Ratchet Type  
Load Binder

- Upgraded for use with Grades 70, 80 and 100 Chain.
- Utilizes standard Crosby A-323 Alloy Eye Grab Hooks.
- New design “one piece” forged handle.
- Continuous take-up feature provides finite adjustment to tie down load.
- One piece assembly, no bolts or nuts to loosen.
- Ratchet spring is rust proofed.
- All load bearing or holding parts forged.
- Easy operating positive ratchet.
- Binders shown with Proof Loads have been individually proof tested to values shown, prior to shipment.
- Meets or exceeds requirements of US DOT FMCSA Part 393 Subpart I.



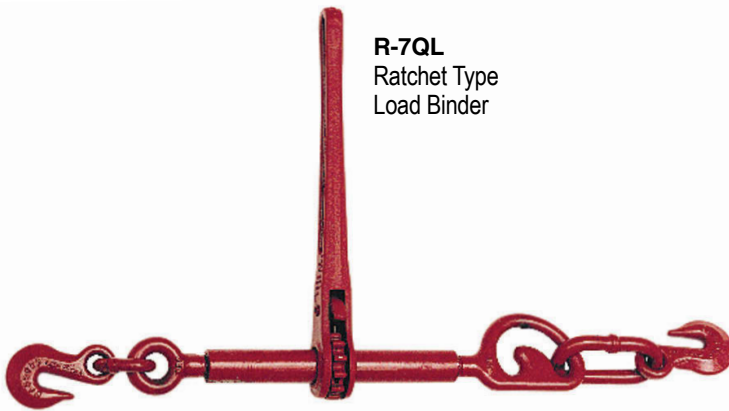
**SEE APPLICATION AND WARNING INFORMATION**  
On Pages 271  
Para Español: [www.thecrosbygroup.com](http://www.thecrosbygroup.com)

**Load Rated®**

## L-140 Standard Ratchet Type Load Binders (Meets or exceeds requirements of US DOT FMCSA Part 393 Subpart I.)

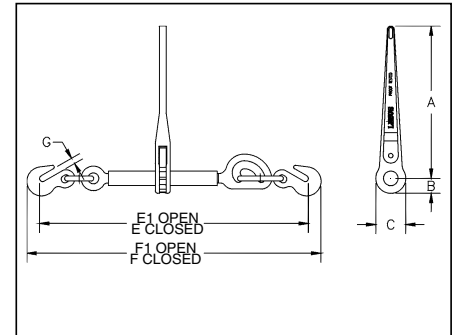
Model	Stock No.	Min-Max Chain Size (in.)	Working Load Limit (lbs.)*	Proof Load (lbs.)	Weight Each (lbs.)	Handle Length (in.)	Barrel Length (in.)	Take Up (in.)	Dimensions (in.)							
									A	B	C	E	E1	F	F1	G
R-7 **	1048404	5/16-3/8	8800	17600	12.11	14	10	8.0	14.00	1.38	2.75	22.94	30.94	25.13	33.13	.50
R-A **	1048422	3/8-1/2	15000	30000	14.70	14	10	8.0	14.00	1.38	2.75	25.25	33.25	27.63	35.63	.63
R-C ***	1048440	1/2-5/8	16000	32000	14.55	14	10	8.0	14.00	1.38	2.75	26.38	34.38	29.44	37.44	.72

\* Ultimate Load is 3 times the Working Load Limit. \*\* Matches the Working Load Limit of Grade 100 chain for both sizes. \*\*\* Matches the Working Load Limit of Grade 100 chain for 1/2" size.



**R-7QL**  
Ratchet Type  
Load Binder

- For use with Grade 7 Transport Chain.
- Utilizes standard Crosby A-323 Alloy Eye Grab Hooks.
- New design “one piece” forged handle.
- Continuous take-up feature, infinite adjustment, gets the last half of chain.
- One piece assembly, no bolts or nuts to loosen.
- Ratchet spring is rust proofed.
- All load bearings or holding parts forged.
- Easy operating positive ratchet.
- Binders shown with Proof Loads have been individually proof tested to values shown, prior to shipment.



**Load Rated®**

## R-7QL QUIC-LINK Ratchet Load Binder

Model	R-7QL Stock No.	Min-Max Chain Size (in.)	Working Load Limit (lbs.)*	Proof Load (lbs.)	Weight Each (lbs.)	Handle Length (in.)	Barrel Length (in.)	Take Up (in.)	Dimensions (in.)							
									A	B	C	E	E1	F	F1	G
R-7QL	1048413	5/16-3/8	6600	13200	12.25	14	10	8.0	14.00	1.38	2.75	24.81	32.81	27.00	35.00	.50

\* Ultimate Load is 3 times the Working Load Limit.