

McKissick® Overhead Bridge Crane Blocks

- Wide range of products available (see tables below).
- Removable housing allows block to be reeved without complete disassembly.
- Bearing life and Design Factors meet:
 - ASME HST-4, Class H
 - CMAA 70 Class D
 - FEM9.511 Class 2m
 - ISO 4301.1 Class M5
- Adjustable sheave spacing in 1/2" increments (1/4" on 6-1/2" size).
- Sheave pitch diameter minimum of 16 times rope diameter on standard sizes.
- All single point shank hooks are genuine Crosby®, forged alloy steel, Quenched and Tempered, contain the patented **QUIC-CHECK®** markings and come with a world class latch that integrates with hook tip.
- **U.S. Patent 7,255,330**
- All sizes are **RFID EQUIPPED**.
- Sheave bearings are maintenance free and sealed for life (10,000 hrs.).
- Ability to attach optional anti two-block device.
- Available with shackle as lower connection point.
- Ultimate load is 5 times the Working Load Limit.

Key to McKissick® Easy-Lift® Overhead Bridge Crane Blocks					
Single and Double Sheave Blocks				Double Sheave Blocks Only	
BC	05	D	08	B	36
↓	↓	↓	↓	↓	↓
McKissick® 750 Series Bridge Crane Blocks	Working Load Limit (t)	Number of Sheaves S = 1 D = 2	Sheave Diameter (in.)	Center Pin Designation	Sheave Spacing in 1/8" Increments



BC-751
Single
Sheave

BC-751 Single Sheave

Model 751 – Single Sheave					
WLL (t)	2	3	5	7.5	10
Sheave O.D.	6.5" 165mm	8" 203mm	10" 254mm	12" 305mm	14" 356mm
Pitch Diameter	5.69" 151mm	7.38" 187mm	9.25" 235mm	11" 279mm	12.5" 318mm
Wireline*					
1/4" 6.5mm					
5/16" 8mm					
3/8" 9 - 10mm					
7/16" 11mm					
1/2" 12 - 13mm					
9/16" 14mm					
5/8" 16mm					
3/4" 19mm					
7/8" 22mm					
1" 25 - 26mm					

* Additional Wireline sizes available.

BC-752 Double Sheave

Model 752 – Double Sheave					
WLL (t)	3	5	10	15	
Sheave O.D. (mm)	6.5" 165mm	8" 203mm	10" 254mm	12" 305mm	14" 356mm
Sheave Spacing Centerline (mm)	3.25" - 5"	4.5" - 6.5"	5.25" - 7.75"	6.5" - 10"	7.5" - 11"
Pitch Diameter (mm)	82.6 - 127mm	114 - 165mm	133 - 203mm	165 - 254mm	191 - 279mm
	5.95"	7.38"	9.25"	11"	11"
	150 - 152mm	183 - 191mm	228 - 236mm	273 - 282mm	273 - 282mm
Wireline*					
1/4" 6.5mm					
5/16" 8mm					
3/8" 9 - 10mm					
7/16" 11mm					
1/2" 12 - 13mm					
9/16" 14mm					
5/8" 16mm					
3/4" 19mm					

* Additional Wireline sizes available.

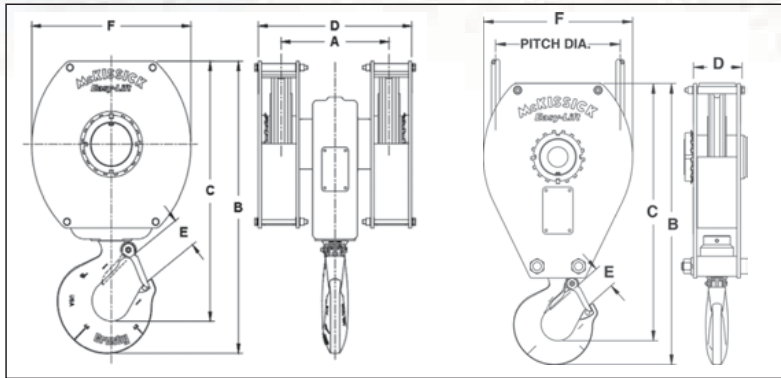
= Primary Wireline Size

= Other Wireline Sizes



BC-752
Double Sheave

McKissick® Overhead Bridge Crane Blocks



All sizes are RFID EQUIPPED.

751 Series Bridge Crane Blocks

Model No.	BC-751 Stock No.	Working Load Limit (t)*	Sheave Diameter (in.)	Dimensions (in.)					Standard Wireline Size (in.)	Weight Each (lbs.)
				B	C	D	E	F		
2 Metric Tons										
BC02S06	2022539	2	6.5	13.93	12.80	2.12	1.16	7.44	1/4	18
BC02S06	2022540	2	6.5	13.93	12.80	2.12	1.16	7.44	5/16	18
BC02S06	2022541	2	6.5	13.93	12.80	2.12	1.16	7.44	3/8	18
3 Metric Tons										
BC03S08	2022521	3	8	16.88	15.41	2.75	1.36	8.94	1/4	35
BC03S08	2022522	3	8	16.88	15.41	2.75	1.36	8.94	5/16	35
BC03S08	2022523	3	8	16.88	15.41	2.75	1.36	8.94	3/8	35
BC03S08	2022524	3	8	16.88	15.41	2.75	1.36	8.94	7/16	35
BC03S08	2022525	3	8	16.88	15.41	2.75	1.36	8.94	1/2	35
5 Metric Tons										
BC05S10	2022526	5	10	21.00	19.19	3.50	1.61	11.12	3/8	60
BC05S10	2022527	5	10	21.00	19.19	3.50	1.61	11.12	7/16	60
BC05S10	2022528	5	10	21.00	19.19	3.50	1.61	11.12	1/2	60
BC05S10	2022529	5	10	21.00	19.19	3.50	1.61	11.12	9/16	60
BC05S10	2022530	5	10	21.00	19.19	3.50	1.61	11.12	5/8	60
7.5 Metric Tons										
BC07S12	2022531	7.5	12	25.44	23.19	4.25	2.08	13.44	1/2	115
BC07S12	2022532	7.5	12	25.44	23.19	4.25	2.08	13.44	9/16	115
BC07S12	2022533	7.5	12	25.44	23.19	4.25	2.08	13.44	5/8	115
BC07S12	2022534	7.5	12	25.44	23.19	4.25	2.08	13.44	3/4	115
10 Metric Tons										
BC10S14	2022535	10	14	29.12	26.50	5.00	2.27	15.50	5/8	155
BC10S14	2022536	10	14	29.12	26.50	5.00	2.27	15.50	3/4	155
BC10S14	2022537	10	14	29.12	26.50	5.00	2.27	15.50	7/8	155
BC10S14	2022538	10	14	29.12	26.50	5.00	2.27	15.50	1	155

* Ultimate Load is 5 times the Working Load Limit.

752 Series Bridge Crane Blocks

Model No.	BC-752 Stock No.	Working Load Limit (t)*	Sheave Diameter (in.)	Dimensions (in.)						Standard Wireline Size (in.)	Weight Each (lbs.)
				A	B	C	D	E	F		
3 Metric Tons											
BC03D06M26	2022731	3	6.5	3.25	13.41	11.97	5.75	1.36	7.44	1/4	37
BC03D06M26	2022739	3	6.5	3.25	13.41	11.97	5.75	1.36	7.44	5/16	37
BC03D06M26	2022747	3	6.5	3.25	13.41	11.97	5.75	1.36	7.44	3/8	37
BC03D06M28	2022732	3	6.5	3.50	13.41	11.97	5.75	1.36	7.44	1/4	37
BC03D06M28	2022740	3	6.5	3.50	13.41	11.97	5.75	1.36	7.44	5/16	37
BC03D06M28	2022748	3	6.5	3.50	13.41	11.97	5.75	1.36	7.44	3/8	37
BC03D06M30	2022733	3	6.5	3.75	13.41	11.97	5.75	1.36	7.44	1/4	37
BC03D06M30	2022741	3	6.5	3.75	13.41	11.97	5.75	1.36	7.44	5/16	37
BC03D06M30	2022749	3	6.5	3.75	13.41	11.97	5.75	1.36	7.44	3/8	37
BC03D06M32	2022734	3	6.5	4.00	13.41	11.97	5.75	1.36	7.44	1/4	37
BC03D06M32	2022742	3	6.5	4.00	13.41	11.97	5.75	1.36	7.44	5/16	37
BC03D06M32	2022750	3	6.5	4.00	13.41	11.97	5.75	1.36	7.44	3/8	37
BC03D06N34	2022735	3	6.5	4.25	13.41	11.97	6.75	1.36	7.44	1/4	37
BC03D06N34	2022743	3	6.5	4.25	13.41	11.97	6.75	1.36	7.44	5/16	37
BC03D06N34	2022751	3	6.5	4.25	13.41	11.97	6.75	1.36	7.44	3/8	37
BC03D06N36	2022736	3	6.5	4.50	13.41	11.97	6.75	1.36	7.44	1/4	37
BC03D06N36	2022744	3	6.5	4.50	13.41	11.97	6.75	1.36	7.44	5/16	37
BC03D06N36	2022752	3	6.5	4.50	13.41	11.97	6.75	1.36	7.44	3/8	37
BC03D06N38	2022737	3	6.5	4.75	13.41	11.97	6.75	1.36	7.44	1/4	37
BC03D06N38	2022745	3	6.5	4.75	13.41	11.97	6.75	1.36	7.44	5/16	37
BC03D06N38	2022753	3	6.5	4.75	13.41	11.97	6.75	1.36	7.44	3/8	37
BC03D06N40	2022738	3	6.5	5.00	13.41	11.97	6.75	1.36	7.44	1/4	37
BC03D06N40	2022746	3	6.5	5.00	13.41	11.97	6.75	1.36	7.44	5/16	37
BC03D06N40	2022754	3	6.5	5.00	13.41	11.97	6.75	1.36	7.44	3/8	37

McKissick® Overhead Bridge Crane Blocks

752 Series Bridge Crane Blocks

Model No.	BC-752 Stock No.	Working Load Limit (t)*	Sheave Diameter (in.)	Dimensions (in.)						Standard Wireline Size (in.)	Weight Each (lbs.)
				A	B	C	D	E	F		
5 Metric Tons											
BC05D08B36	2022550	5	8	4.50	16.41	14.59	7.69	1.61	8.94	1/4	75
BC05D08B36	2022551	5	8	4.50	16.41	14.59	7.69	1.61	8.94	5/16	75
BC05D08B36	2022552	5	8	4.50	16.41	14.59	7.69	1.61	8.94	3/8	75
BC05D08B36	2022553	5	8	4.50	16.41	14.59	7.69	1.61	8.94	7/16	75
BC05D08B36	2022554	5	8	4.50	16.41	14.59	7.69	1.61	8.94	1/2	75
BC05D08B40	2022555	5	8	5.00	16.41	14.59	7.69	1.61	8.94	1/4	75
BC05D08B40	2022556	5	8	5.00	16.41	14.59	7.69	1.61	8.94	5/16	75
BC05D08B40	2022557	5	8	5.00	16.41	14.59	7.69	1.61	8.94	3/8	75
BC05D08B40	2022558	5	8	5.00	16.41	14.59	7.69	1.61	8.94	7/16	75
BC05D08B40	2022559	5	8	5.00	16.41	14.59	7.69	1.61	8.94	1/2	75
BC05D08B44	2022560	5	8	5.50	16.41	14.59	7.69	1.61	8.94	1/4	75
BC05D08B44	2022561	5	8	5.50	16.41	14.59	7.69	1.61	8.94	5/16	75
BC05D08B44	2022562	5	8	5.50	16.41	14.59	7.69	1.61	8.94	3/8	75
BC05D08B44	2022563	5	8	5.50	16.41	14.59	7.69	1.61	8.94	7/16	75
BC05D08B44	2022564	5	8	5.50	16.41	14.59	7.69	1.61	8.94	1/2	75
BC05D08C44	2022565	5	8	5.50	16.41	14.59	8.69	1.61	8.94	1/4	75
BC05D08C44	2022566	5	8	5.50	16.41	14.59	8.69	1.61	8.94	5/16	75
BC05D08C44	2022567	5	8	5.50	16.41	14.59	8.69	1.61	8.94	3/8	75
BC05D08C44	2022568	5	8	5.50	16.41	14.59	8.69	1.61	8.94	7/16	75
BC05D08C44	2022569	5	8	5.50	16.41	14.59	8.69	1.61	8.94	1/2	75
BC05D08C48	2022570	5	8	6.00	16.41	14.59	8.69	1.61	8.94	1/4	75
BC05D08C48	2022571	5	8	6.00	16.41	14.59	8.69	1.61	8.94	5/16	75
BC05D08C48	2022572	5	8	6.00	16.41	14.59	8.69	1.61	8.94	3/8	75
BC05D08C48	2022573	5	8	6.00	16.41	14.59	8.69	1.61	8.94	7/16	75
BC05D08C48	2022574	5	8	6.00	16.41	14.59	8.69	1.61	8.94	1/2	75
BC05D08C52	2022575	5	8	6.50	16.41	14.59	8.69	1.61	8.94	1/4	75
BC05D08C52	2022576	5	8	6.50	16.41	14.59	8.69	1.61	8.94	5/16	75
BC05D08C52	2022577	5	8	6.50	16.41	14.59	8.69	1.61	8.94	3/8	75
BC05D08C52	2022578	5	8	6.50	16.41	14.59	8.69	1.61	8.94	7/16	75
BC05D08C52	2022579	5	8	6.50	16.41	14.59	8.69	1.61	8.94	1/2	75
7.5 Metric Tons											
BC07D10D42	2022580	7.5	10	5.25	20.25	18.00	8.69	2.08	11.12	3/8	125
BC07D10D42	2022581	7.5	10	5.25	20.25	18.00	8.69	2.08	11.12	7/16	125
BC07D10D42	2022582	7.5	10	5.25	20.25	18.00	8.69	2.08	11.12	1/2	125
BC07D10D42	2022583	7.5	10	5.25	20.25	18.00	8.69	2.08	11.12	9/16	125
BC07D10D42	2022584	7.5	10	5.25	20.25	18.00	8.69	2.08	11.12	5/8	125
BC07D10D46	2022585	7.5	10	5.75	20.25	18.00	8.69	2.08	11.12	3/8	125
BC07D10D46	2022586	7.5	10	5.75	20.25	18.00	8.69	2.08	11.12	7/16	125
BC07D10D46	2022587	7.5	10	5.75	20.25	18.00	8.69	2.08	11.12	1/2	125
BC07D10D46	2022588	7.5	10	5.75	20.25	18.00	8.69	2.08	11.12	9/16	125
BC07D10D46	2022589	7.5	10	5.75	20.25	18.00	8.69	2.08	11.12	5/8	125
BC07D10D50	2022590	7.5	10	6.25	20.25	18.00	8.69	2.08	11.12	3/8	125
BC07D10D50	2022591	7.5	10	6.25	20.25	18.00	8.69	2.08	11.12	7/16	125
BC07D10D50	2022592	7.5	10	6.25	20.25	18.00	8.69	2.08	11.12	1/2	125
BC07D10D50	2022593	7.5	10	6.25	20.25	18.00	8.69	2.08	11.12	9/16	125
BC07D10D50	2022594	7.5	10	6.25	20.25	18.00	8.69	2.08	11.12	5/8	125
BC07D10E48	2022595	7.5	10	6.00	20.25	18.00	9.44	2.08	11.12	3/8	125
BC07D10E48	2022596	7.5	10	6.00	20.25	18.00	9.44	2.08	11.12	7/16	125
BC07D10E48	2022597	7.5	10	6.00	20.25	18.00	9.44	2.08	11.12	1/2	125
BC07D10E48	2022598	7.5	10	6.00	20.25	18.00	9.44	2.08	11.12	9/16	125
BC07D10E48	2022599	7.5	10	6.00	20.25	18.00	9.44	2.08	11.12	5/8	125
BC07D10E52	2022600	7.5	10	6.50	20.25	18.00	9.44	2.08	11.12	3/8	125
BC07D10E52	2022601	7.5	10	6.50	20.25	18.00	9.44	2.08	11.12	7/16	125
BC07D10E52	2022602	7.5	10	6.50	20.25	18.00	9.44	2.08	11.12	1/2	125
BC07D10E52	2022603	7.5	10	6.50	20.25	18.00	9.44	2.08	11.12	9/16	125
BC07D10E52	2022604	7.5	10	6.50	20.25	18.00	9.44	2.08	11.12	5/8	125
BC07D10E56	2022605	7.5	10	7.00	20.25	18.00	9.44	2.08	11.12	3/8	125
BC07D10E56	2022606	7.5	10	7.00	20.25	18.00	9.44	2.08	11.12	7/16	125
BC07D10E56	2022607	7.5	10	7.00	20.25	18.00	9.44	2.08	11.12	1/2	125
BC07D10E56	2022608	7.5	10	7.00	20.25	18.00	9.44	2.08	11.12	9/16	125
BC07D10E56	2022609	7.5	10	7.00	20.25	18.00	9.44	2.08	11.12	5/8	125
BC07D10F56	2022610	7.5	10	7.00	20.25	18.00	10.44	2.08	11.12	3/8	125
BC07D10F56	2022611	7.5	10	7.00	20.25	18.00	10.44	2.08	11.12	7/16	125
BC07D10F56	2022612	7.5	10	7.00	20.25	18.00	10.44	2.08	11.12	1/2	125
BC07D10F56	2022613	7.5	10	7.00	20.25	18.00	10.44	2.08	11.12	9/16	125
BC07D10F56	2022614	7.5	10	7.00	20.25	18.00	10.44	2.08	11.12	5/8	125
BC07D10F60	2022615	7.5	10	7.50	20.25	18.00	10.44	2.08	11.12	3/8	125
BC07D10F60	2022616	7.5	10	7.50	20.25	18.00	10.44	2.08	11.12	7/16	125
BC07D10F60	2022617	7.5	10	7.50	20.25	18.00	10.44	2.08	11.12	1/2	125
BC07D10F60	2022618	7.5	10	7.50	20.25	18.00	10.44	2.08	11.12	9/16	125
BC07D10F60	2022619	7.5	10	7.50	20.25	18.00	10.44	2.08	11.12	5/8	125

McKissick® Overhead Bridge Crane Blocks



752 Series Bridge Crane Blocks

Model No.	BC-752 Stock No.	Working Load Limit (t)*	Sheave Diameter (in.)	Dimensions (in.)						Standard Wireline Size (in.)	Weight Each (lbs.)
				A	B	C	D	E	F		
BC07D10F64	2022620	7.5	10	8.00	20.25	18.00	10.44	2.08	11.12	3/8	125
BC07D10F64	2022621	7.5	10	8.00	20.25	18.00	10.44	2.08	11.12	7/16	125
BC07D10F64	2022622	7.5	10	8.00	20.25	18.00	10.44	2.08	11.12	1/2	125
BC07D10F64	2022623	7.5	10	8.00	20.25	18.00	10.44	2.08	11.12	9/16	125
BC07D10F64	2022624	7.5	10	8.00	20.25	18.00	10.44	2.08	11.12	5/8	125
10 Metric Tons											
BC10D12G52	2022625	10	12	6.50	23.22	20.62	10.94	2.27	13.46	1/2	240
BC10D12G52	2022626	10	12	6.50	23.22	20.62	10.94	2.27	13.46	9/16	240
BC10D12G52	2022627	10	12	6.50	23.22	20.62	10.94	2.27	13.46	5/8	240
BC10D12G52	2022628	10	12	6.50	23.22	20.62	10.94	2.27	13.46	3/4	240
BC10D12G56	2022629	10	12	7.00	23.22	20.62	10.94	2.27	13.46	1/2	240
BC10D12G56	2022630	10	12	7.00	23.22	20.62	10.94	2.27	13.46	9/16	240
BC10D12G56	2022631	10	12	7.00	23.22	20.62	10.94	2.27	13.46	5/8	240
BC10D12G56	2022632	10	12	7.00	23.22	20.62	10.94	2.27	13.46	3/4	240
BC10D12G60	2022633	10	12	7.50	23.22	20.62	10.94	2.27	13.46	1/2	240
BC10D12G60	2022634	10	12	7.50	23.22	20.62	10.94	2.27	13.46	9/16	240
BC10D12G60	2022635	10	12	7.50	23.22	20.62	10.94	2.27	13.46	5/8	240
BC10D12G60	2022636	10	12	7.50	23.22	20.62	10.94	2.27	13.46	3/4	240
BC10D12G64	2022637	10	12	8.00	23.22	20.62	10.94	2.27	13.46	1/2	240
BC10D12G64	2022638	10	12	8.00	23.22	20.62	10.94	2.27	13.46	9/16	240
BC10D12G64	2022639	10	12	8.00	23.22	20.62	10.94	2.27	13.46	5/8	240
BC10D12G64	2022640	10	12	8.00	23.22	20.62	10.94	2.27	13.46	3/4	240
BC10D12I68	2022657	10	12	8.50	23.22	20.62	12.94	2.27	13.46	1/2	240
BC10D12I68	2022658	10	12	8.50	23.22	20.62	12.94	2.27	13.46	9/16	240
BC10D12I68	2022659	10	12	8.50	23.22	20.62	12.94	2.27	13.46	5/8	240
BC10D12I68	2022660	10	12	8.50	23.22	20.62	12.94	2.27	13.46	3/4	240
BC10D12I72	2022661	10	12	9.00	23.22	20.62	12.94	2.27	13.46	1/2	240
BC10D12I72	2022662	10	12	9.00	23.22	20.62	12.94	2.27	13.46	9/16	240
BC10D12I72	2022663	10	12	9.00	23.22	20.62	12.94	2.27	13.46	5/8	240
BC10D12I72	2022664	10	12	9.00	23.22	20.62	12.94	2.27	13.46	3/4	240
BC10D12I76	2022665	10	12	9.50	23.22	20.62	12.94	2.27	13.46	1/2	240
BC10D12I76	2022666	10	12	9.50	23.22	20.62	12.94	2.27	13.46	9/16	240
BC10D12I76	2022667	10	12	9.50	23.22	20.62	12.94	2.27	13.46	5/8	240
BC10D12I76	2022668	10	12	9.50	23.22	20.62	12.94	2.27	13.46	3/4	240
BC10D12I80	2022669	10	12	10.00	23.22	20.62	12.94	2.27	13.46	1/2	240
BC10D12I80	2022670	10	12	10.00	23.22	20.62	12.94	2.27	13.46	9/16	240
BC10D12I80	2022671	10	12	10.00	23.22	20.62	12.94	2.27	13.46	5/8	240
BC10D12I80	2022672	10	12	10.00	23.22	20.62	12.94	2.27	13.46	3/4	240
15 Metric Tons											
BC15D12J60	2022673	15	12	7.50	25.38	22.38	11.94	3.02	13.46	1/2	270
BC15D12J60	2022674	15	12	7.50	25.38	22.38	11.94	3.02	13.46	9/16	270
BC15D12J60	2022675	15	12	7.50	25.38	22.38	11.94	3.02	13.46	5/8	270
BC15D12J60	2022676	15	12	7.50	25.38	22.38	11.94	3.02	13.46	3/4	270
BC15D12J64	2022677	15	12	8.00	25.38	22.38	11.94	3.02	13.46	1/2	270
BC15D12J64	2022678	15	12	8.00	25.38	22.38	11.94	3.02	13.46	9/16	270
BC15D12J64	2022679	15	12	8.00	25.38	22.38	11.94	3.02	13.46	5/8	270
BC15D12J64	2022680	15	12	8.00	25.38	22.38	11.94	3.02	13.46	3/4	270
BC15D12J68	2022681	15	12	8.50	25.38	22.38	11.94	3.02	13.46	1/2	270
BC15D12J68	2022682	15	12	8.50	25.38	22.38	11.94	3.02	13.46	9/16	270
BC15D12J68	2022683	15	12	8.50	25.38	22.38	11.94	3.02	13.46	5/8	270
BC15D12J68	2022684	15	12	8.50	25.38	22.38	11.94	3.02	13.46	3/4	270
BC15D12J72	2022685	15	12	9.00	25.38	22.38	11.94	3.02	13.46	1/2	270
BC15D12J72	2022686	15	12	9.00	25.38	22.38	11.94	3.02	13.46	9/16	270
BC15D12J72	2022687	15	12	9.00	25.38	22.38	11.94	3.02	13.46	5/8	270
BC15D12J72	2022688	15	12	9.00	25.38	22.38	11.94	3.02	13.46	3/4	270
BC15D12L76	2022705	15	12	9.50	25.38	22.38	13.94	3.02	13.46	1/2	270
BC15D12L76	2022706	15	12	9.50	25.38	22.38	13.94	3.02	13.46	9/16	270
BC15D12L76	2022707	15	12	9.50	25.38	22.38	13.94	3.02	13.46	5/8	270
BC15D12L76	2022708	15	12	9.50	25.38	22.38	13.94	3.02	13.46	3/4	270
BC15D12L80	2022709	15	12	10.00	25.38	22.38	13.94	3.02	13.46	1/2	270
BC15D12L80	2022710	15	12	10.00	25.38	22.38	13.94	3.02	13.46	9/16	270
BC15D12L80	2022711	15	12	10.00	25.38	22.38	13.94	3.02	13.46	5/8	270
BC15D12L80	2022712	15	12	10.00	25.38	22.38	13.94	3.02	13.46	3/4	270
BC15D12L84	2022713	15	12	10.50	25.38	22.38	13.94	3.02	13.46	1/2	270
BC15D12L84	2022714	15	12	10.50	25.38	22.38	13.94	3.02	13.46	9/16	270
BC15D12L84	2022715	15	12	10.50	25.38	22.38	13.94	3.02	13.46	5/8	270
BC15D12L84	2022716	15	12	10.50	25.38	22.38	13.94	3.02	13.46	3/4	270
BC15D12L88	2022717	15	12	11.00	25.38	22.38	13.94	3.02	13.46	1/2	270
BC15D12L88	2022718	15	12	11.00	25.38	22.38	13.94	3.02	13.46	9/16	270
BC15D12L88	2022719	15	12	11.00	25.38	22.38	13.94	3.02	13.46	5/8	270
BC15D12L88	2022720	15	12	11.00	25.38	22.38	13.94	3.02	13.46	3/4	270

* Ultimate Load is 5 times the Working Load Limit.

McKISSICK® BLOCKS