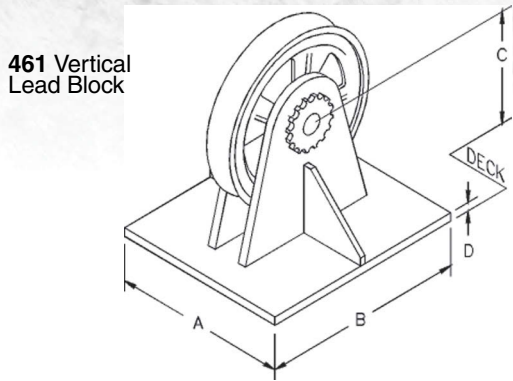
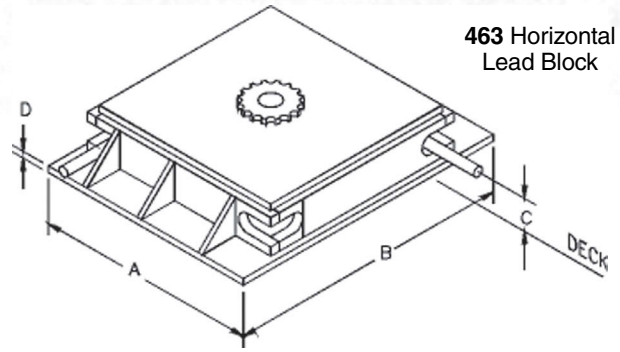


McKissick® Horizontal & Vertical Blocks



461 Vertical Lead Block



463 Horizontal Lead Block

Furnish the following important information when ordering:

- A, B and C dimensions.
- Line pull in pounds and degree of wrap.
- Line speed.
- Diameter of wire rope.
- Roller bearings, bronze bushings, or sealed double row tapered bearings.

Guide and control your deck lines with McKissick's deck-mounted wire rope blocks. Built to your specific requirements.

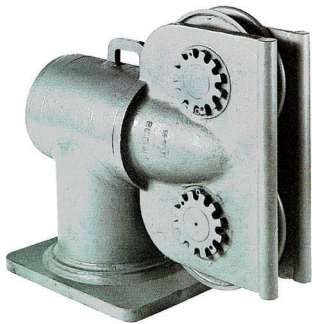
- Extra heavy construction, built to withstand breaking strength of indicated rope (XIP, IWRC).
- Flame-hardened sheaves, machined grooves for proper rope size.
- For special requirements contact Crosby.

461 Vertical & 463 Horizontal Lead Blocks

Figure No.	Lead Block Stock No.	Sheave Diameter (in.)	Standard Wire Rope Size (in.)	Weight Each (lbs.)	Dimensions (in.)			
					A	B	C	D
461-18	239753	18	7/8	500	12.00	20.00	11.00	1.50
461-24	131574	24	1-1/4	500	15.00	26.00	14.00	1.50
461-26	238120	26	1-1/2	660	16.00	28.00	15.00	1.50
461-36	148389	36	1-5/8	850	20.00	36.00	19.50	2.00
461-40	136285	40	2	2006	23.00	42.00	22.50	2.00
461-42	130753	42	2-1/2	4000	28.00	52.00	25.50	2.50
463-26	4440359	26	1	988	33.00	33.00	3.75	1.50
463-30	1404377	30	1-1/4	1225	37.00	37.00	3.50	1.50
463-36	146522	36	1-1/2	1900	43.00	43.00	3.50	1.50
463-42	1406525	42	1-3/4	2975	50.00	50.00	4.38	2.00
463-48	131583	48	2	3600	55.00	55.00	4.63	2.00
463-60	123164	60	2-1/2	6400	68.00	68.00	5.75	2.00

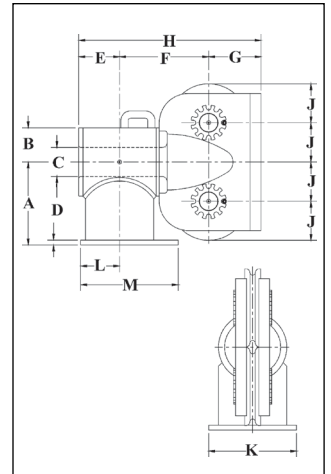
For custom orders contact our Block Hotline, (1-800-727-1555) or reference the special request form on pg 458.

457 Deck Mounted Anchor Fairleader



Deck Mounted Anchor Fairleader

- Barrel and sheaves equipped with sealed double row tapered bearings.
- Extra heavy construction, built to withstand breaking strength of indicated rope at 90 degree sheave wrap and 45 degree head swing.
- All bearings Alemite-lubricated.
- Custom Anchor Fairleader sets available.



457 Deck Mounted Anchor Fairleader

Figure No.	457 Stock No.	Sheave Diameter (in.)	Wire Rope Size (in.)	Weight Each (lbs.)	Dimensions (in.)											
					A	B	C	D	E	F	G	H	J	K	L	M
B-10-D	8073880	10	1	300	10.75	4.50	3.50	.75	5.00	10.13	6.75	21.88	5.06	9.50	4.50	11.00
B-12-D	8073924	12	1-1/4	600	12.75	5.00	5.00	.75	6.38	12.38	8.00	26.75	6.06	11.00	5.25	13.00
B-16-D	8073979	16	1-1/2	1300	17.00	7.00	6.00	1.00	8.44	17.75	10.75	36.94	8.06	18.00	8.00	20.00
B-20-D	8074022	20	1-3/4	2500	21.00	9.00	8.50	1.00	11.25	21.94	12.75	45.94	10.06	21.00	10.00	24.50
B-24-D	8074111	24	2	3600	25.25	11.00	10.00	1.25	12.75	26.50	14.75	54.00	12.06	23.00	11.00	27.00