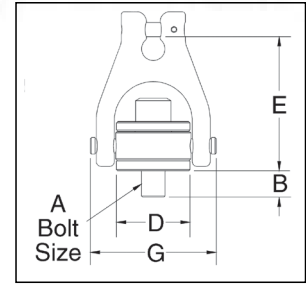


Hoist Ring to Chain or Webbing



HR-125C
Hoist Ring to Chain

- Available in capacities from 4,500 lbs. to 18,100 lbs.
- Fits Grade 8 Chain size 1/4" (5/16"), 3/8", 1/2", & 5/8".
- Forged Alloy Steel.
- Design factor of 4 to 1.
- Individually Proof Tested to 2-1/2 times Working Load Limit.
- Yellow Chromate finish for increased corrosion protection.
- Full 360 degrees swivel and 180 degrees pivot action.
- Bolt specification is a Grade 8 Alloy socket head cap screw to ASTM A574. All threads are UNC.
- All sizes are **RFID EQUIPPED**.



Load Rated

SEE APPLICATION AND WARNING INFORMATION
On Pages 210 -211
Para Español: www.thecrosbygroup.com

HR-125C Hoist Ring to Chain

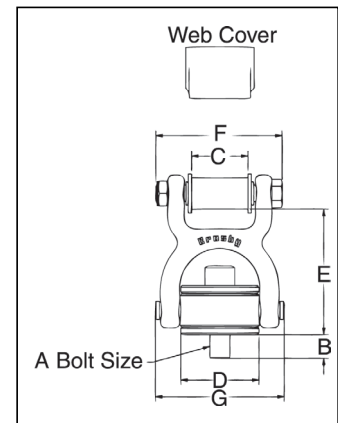
HR-125C Stock No.	Working Load Limit (lbs.)*	Torque in Ft.-Lbs.	Effective Thread Projection Length	Spectrum 8 Chain Size (in. - mm)	Dimensions (in.)					Weight Each (lbs.)
					A ‡	B	D	E	G	
1067492	4500	60	.71	1/4-5/16 7-8	5/8-11 x 2.00	.70	1.96	3.55	3.35	2.1
1067494	4500	60	1.46	1/4-5/16 7-8	5/8-11 x 2.75	1.20	1.96	3.55	3.35	2.1
1067500	7100	100	.90	3/8 10	3/4-10 x 2.75	.89	2.96	4.78	4.87	5.4
1067502	7100	100	1.65	3/8 10	3/4-10 x 3.50	1.64	2.96	4.78	4.87	5.4
1067509	12000	230	1.15	1/2 13	1-8 x 3.00	1.14	2.96	4.81	4.87	6.4
1067511	12000	230	2.15	1/2 13	1-8 x 4.00	2.14	2.96	4.81	4.87	6.7
1067518	18100	470	2.22	5/8 16	1-1/4-7 x 4.50	2.21	3.71	6.53	6.18	12.8

*Ultimate load is 4 times the Working Load Limit. Individually tested to 2-1/2 the Working Load Limit. ‡ Long Bolts are designed to be used with soft metal (i.e., aluminum) workpiece. While the long bolts may also be used with ferrous metal (i.e., steel & iron) workpiece, short bolts are designed for ferrous workpieces only.



HR-125W
Hoist Ring to Web

- Available in capacities from 6,200 to 12,400 lbs.
- Fits webbing sizes 2" to 4".
- Forged Alloy Steel
- Durable plastic cover protects the sling at the eye as well as keeps the sling positioned correctly on the spool.
- Bolt specification is a Grade 8 Alloy socket head cap screw to ASTM A574. All threads are UNC.
- Design Factor of 5 to 1.
- Individually Proof Tested to 2-1/2 times the Working Load Limit.
- Designed for use with Type III (Eye & Eye), class 7, 2 ply webbing & synthetic round slings. Also accommodates single ply endless slings.
- All sizes are **RFID EQUIPPED**.



Load Rated

HR-125W Hoist Ring to Web

HR-125W Stock No.	Round Sling Size (No.)	Web Width (in.)	Eye Width (in.)	Working Load Limit (lbs.)*	Torque in Ft.-lbs.	Eff. Thread Proj. Length (in.)	Spool bolt & nut Torque in Ft.-Lbs.	Dimensions (in.)							Weight Each (lbs.)
								UNC Thread A ‡	B	C	D	E	F	G	
1067610	1 & 2	2	2	6200	100	.90	90	3/4-10x2.75	.89	2.13	2.96	4.75	4.77	4.87	6.2
1067615	1 & 2	2	2	6200	100	1.65	90	3/4-10x3.5	1.64	2.13	2.96	4.75	4.77	4.87	6.3
1067629	3	3	1.5	8900	230	1.15	110	1-8x3.0	1.14	1.63	2.96	4.77	4.54	4.87	7.1
1067634	3	3	1.5	8900	230	2.15	110	1-8x4.0	2.14	1.63	2.96	4.77	4.54	4.87	7.3
1067638	4	4	2	12400	470	2.22	130	1-1/4-7x4.5	2.21	2.13	3.71	6.24	4.31	6.18	13.7

*Ultimate load is 5 times the Working Load Limit. Individually tested to 2-1/2 times the Working Load Limit. ‡ Long Bolts are designed to be used with soft metal (i.e., aluminum) workpiece. While the long bolts may also be used with ferrous metal (i.e., steel & iron) workpiece, short bolts are designed for ferrous workpieces only.