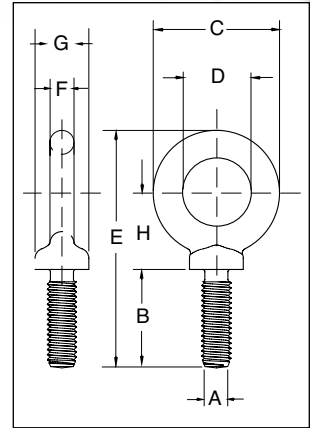


# Forged Machinery Eye Bolts



**S-279 / M-279**  
Shoulder Type  
Machinery  
Eye Bolts

- Forged Steel - Quenched & Tempered.
- Working Load Limits shown are for in-line pull. For angle loading, see page 200.
- Fatigue rated at 1-1/2 times the Working Load Limit at 20,000 cycles.
- Recommended for in-line pull.
- S-279 threaded UNC.
- M-279 metric threaded.
- Meets or exceeds all requirements of ASME B30.26 including identification, ductility, design factor, proof load and temperature requirements. Importantly, these bolts meet other critical performance requirements including fatigue life, impact properties and material traceability, not addressed by ASME B30.26.



## S-279 UNC Shoulder Type Machinery Eye Bolts

| Size (in.)    | S-279 Stock No. | Working Load Limit (lbs.)* | Weight Per 100 (lbs.) | Dimensions (in.) |      |      |      |       |      |      |      |
|---------------|-----------------|----------------------------|-----------------------|------------------|------|------|------|-------|------|------|------|
|               |                 |                            |                       | A** Thread       | B    | C    | D    | E     | F    | G    | H    |
| 1/4 x 1       | 9900182         | 650                        | 5.00                  | 1/4 - 20         | 1.02 | 1.13 | .75  | 2.29  | .19  | .53  | .77  |
| 5/16 x 1-1/8  | 9900191         | 1200                       | 9.00                  | 5/16 - 18        | 1.15 | 1.38 | .88  | 2.74  | .25  | .59  | .95  |
| 3/8 x 1-1/4   | 9900208         | 1550                       | 15.00                 | 3/8 - 16         | 1.27 | 1.62 | 1.00 | 3.07  | .31  | .69  | 1.05 |
| 1/2 x 1-1/2   | 9900217         | 2600                       | 28.00                 | 1/2 - 13         | 1.53 | 1.95 | 1.19 | 3.70  | .38  | .91  | 1.27 |
| 5/8 x 1-3/4   | 9900226         | 5200                       | 55.00                 | 5/8 - 11         | 1.79 | 2.38 | 1.38 | 4.45  | .50  | 1.13 | 1.53 |
| 3/4 x 2       | 9900235         | 7200                       | 96.00                 | 3/4 - 10         | 2.05 | 2.76 | 1.50 | 5.07  | .63  | 1.38 | 1.71 |
| 7/8 x 2-1/4   | 9900244         | 10600                      | 154.00                | 7/8 - 9          | 2.31 | 3.25 | 1.75 | 5.87  | .75  | 1.56 | 2.00 |
| 1 x 2-1/2     | 9900253         | 13300                      | 238.00                | 1 - 8            | 2.57 | 3.76 | 2.00 | 6.66  | .88  | 1.81 | 2.30 |
| 1-1/8 x 2-3/4 | 9900257         | 15000                      | 320.00                | 1-1/8 - 7        | 2.75 | 4.19 | 2.25 | 7.20  | .97  | 2.06 | 2.35 |
| 1-1/4 x 3     | 9900262         | 21000                      | 399.00                | 1-1/4 - 7        | 3.09 | 4.50 | 2.50 | 7.95  | 1.00 | 2.28 | 2.73 |
| 1-1/2 x 3-1/2 | 9900271         | 24000                      | 720.00                | 1-1/2 - 6        | 3.60 | 5.50 | 3.00 | 9.49  | 1.25 | 2.75 | 3.28 |
| 1-3/4 x 3-3/4 | 9900280         | 34000                      | 1040.00               | 1-3/4 - 5        | 3.75 | 6.26 | 3.50 | 10.48 | 1.38 | 3.00 | 3.60 |
| 2 x 4         | 9900289         | 42000                      | 1880.00               | 2 - 4-1/2        | 4.00 | 7.62 | 4.00 | 12.31 | 1.81 | 3.38 | 4.50 |
| 2-1/2 x 5     | 9900298         | 65000                      | 3250.00               | 2-1/2 - 4        | 5.00 | 8.76 | 4.50 | 14.88 | 2.12 | 4.25 | 5.50 |

\*Ultimate Load is 5 times the Working Load Limit. Maximum Proof Load is 2 times the Working Load Limit. \*\* All bolts threaded UNC.



## M-279 Metric

| Size (mm)  | M-279 Stock No. | Working Load Limit (kg)* | Weight Each (kg) | Dimensions (mm) |      |      |      |      |      |      |      |
|------------|-----------------|--------------------------|------------------|-----------------|------|------|------|------|------|------|------|
|            |                 |                          |                  | A** Thread      | B    | C    | D    | E    | F    | G    | H    |
| M6 x 13    | 1045753         | 200                      | .03              | M6 x 1.0        | 13.0 | 28.7 | 19.1 | 47.0 | 4.9  | 13.5 | 19.6 |
| M8 x 13    | 1045789         | 400                      | .05              | M8 x 1.25       | 13.0 | 35.1 | 22.4 | 54.6 | 6.4  | 15.0 | 24.1 |
| M10 x 17   | 1045833         | 640                      | .07              | M10 x 1.5       | 17.0 | 41.1 | 25.4 | 64.3 | 7.9  | 17.5 | 26.5 |
| M12 x 20.5 | 1045869         | 1000                     | .11              | M12 x 1.75      | 20.5 | 49.5 | 30.2 | 77.7 | 9.7  | 23.1 | 32.8 |
| M16 x 27   | 1045913         | 1800                     | .25              | M16 x 2.0       | 27.0 | 60.5 | 35.1 | 96.0 | 12.7 | 28.7 | 38.9 |
| M20 x 30   | 1045995         | 2500                     | .42              | M20 x 2.5       | 30.0 | 70.0 | 38.1 | 108  | 16.0 | 35.1 | 43.4 |
| M24 x 36   | 1046029         | 4000                     | 1.05             | M24 x 3.0       | 36.0 | 95.5 | 51.0 | 142  | 22.4 | 46.0 | 58.4 |
| M27 x 69.8 | 1046038         | 5000                     | 1.42             | M27 x 3.0       | 69.8 | 107  | 57.1 | 183  | 24.6 | 52.3 | 59.7 |
| M30 x 45   | 1046075         | 6000                     | 1.77             | M30 x 3.5       | 45.0 | 114  | 63.5 | 171  | 25.4 | 58.0 | 69.3 |
| M36 x 54   | 1046109         | 8500                     | 3.12             | M36 x 4.0       | 54.0 | 140  | 76.0 | 207  | 31.8 | 70.0 | 83.3 |
| M42 x 95.2 | 1046118         | 14000                    | 4.58             | M42 x 4.5       | 95.2 | 159  | 88.9 | 266  | 35.0 | 76.2 | 91.4 |
| M48 x 102  | 1046127         | 17300                    | 8.71             | M48 x 5.0       | 102  | 194  | 101  | 313  | 46.0 | 85.9 | 114  |
| M64 x 127  | 1046136         | 29500                    | 14.74            | M64 x 6.0       | 127  | 223  | 114  | 378  | 53.8 | 108  | 140  |

\*Ultimate Load is 5 times the Working Load Limit. Maximum Proof Load is 2 times the Working Load Limit. \*\* On Request: Special threading or as forged bolts for customer conversion.

**RIGGING ACCESSORIES**