

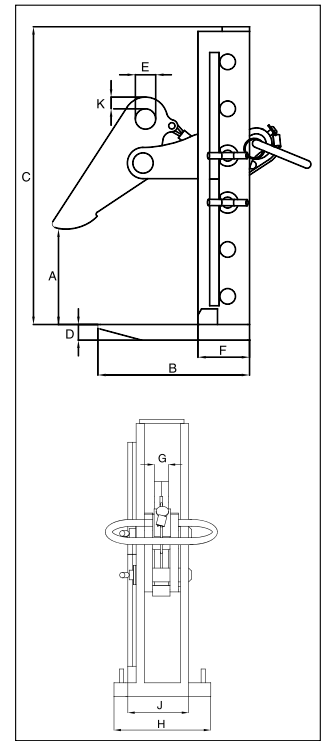


IPPE

The IPPE is suitable for lifting and transferring bundles of non-sagging steel plates in horizontal position. The jaw opening can be easily adjusted. Raising the handle opens the clamp. This facilitates the easy and quick placing or removing of the clamp.

For Lifting and Transferring Bundles of Plates

- Available in capacities of 3 thru 12 metric tons.
- Wide variety of jaw openings available: 0 to 16.5".
- Welded alloy steel body for strength and smaller size. Forged alloy components, where required.
- Individually Proof Tested to 2 times the Working Load Limit with certification.
- Company name (CrosbyIP), logo, Working Load Limit and jaw opening permanently stamped on body.
- Each product is individually serialized, with the serial number and Proof Load test date stamped on body. User manual with test certificate is included with each clamp.
- All sizes are **RFID EQUIPPED**.



Model IPPE

Model	IPPE Stock No.	Working Load Limit (Per Pair) (t)*	Weight Each (lbs.)	Dimensions (in.)									
				Jaw A	B	C	D	E	F	G	H	J	K
3 IPPEB	2700501	3.0	23.1	0 - 7.13	7.64	10.08	.79	1.02	2.60	.79	5.51	2.99	.59
3 IPPED	2700502	3.0	28.7	0 - 11.75	7.64	14.80	.79	1.02	2.60	.79	5.51	2.99	.59
3 IPPEH	2700503	3.0	30.9	0 - 16.50	7.64	19.53	.79	1.02	2.60	.79	5.51	2.99	.59
6 IPPEH	2700506	6.0	50.7	0 - 16.50	8.94	20.31	.98	1.18	4.02	.79	6.30	2.99	.51
9 IPPEH	2700509	9.0	68.3	0 - 16.50	10.63	22.28	.98	1.34	4.80	.79	7.48	2.99	.83
12 IPPEH	2700512	12.0	114.6	0 - 16.50	11.50	23.15	1.18	1.57	5.24	.98	7.87	3.82	.71

* Design Factor based on EN 13155 and ASME B30.20.

