



IPBHZ

The IPBHZ beam clamp is used for horizontal lifting and transfer ring of steel beams. The base is slotted to allow the clamps to be used from end of beams as well as from the flange. This series of clamps can be used in vertical and horizontal moving, transfer ring and stacking of different types of structural designs, such as I-Beams, H-beams, angles, etc, depending on the application desired.

For the Lifting and Transfer of Steel Beams

- Available in capacities of .75 thru 12 metric tons.
- Wide variety of jaw openings available: 0 to 50mm.
- Welded alloy steel body for strength and smaller size. Forged alloy components, where required.
- Individually Proof Tested to 2 times the Working Load Limit with certification.
- Company name (CrosbyIP), logo, Working Load Limit and jaw opening permanently stamped on body.
- Each product is individually serialized, with the serial number and Proof Load test date stamped on body. User manual with test certificate is included with each clamp.
- Optional IP-5000 Stinger assembly available (see page 428). Allows for easy connection between the clamp and hoist hook.
- Minimum WLL of 10% of Maximum WLL.
- Maintenance replacement parts are available.
- Manufactured by a ISO 9001 facility.
- All sizes are **RFID EQUIPPED**.



IPBSNZ

The IPBSNZ beam clamp is used for lifting, transfer ring and stacking. Offset hoisting eye allows for level lifts of I-Beams. Also for lifting fabrications and ship sections. This series of clamps can be used in vertical and horizontal moving, transfer ring and stacking of different types of structural designs, such as I-Beams, depending on the application desired.

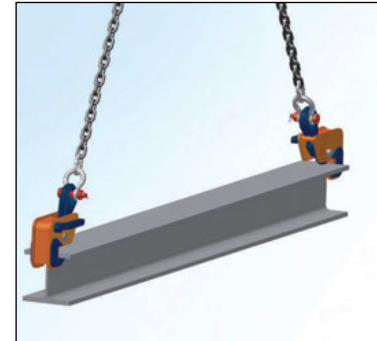
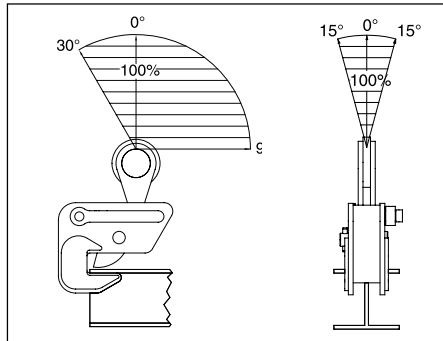
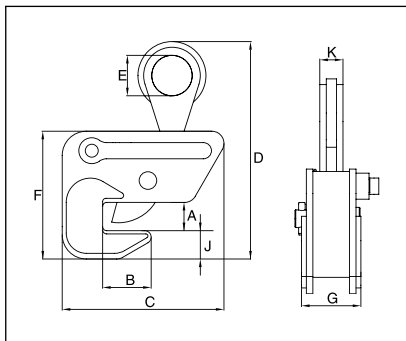


Load Rated

Model IPBHZ

Model	Working Load Limit (t)*	IPBHZ Stock No.	Weight Each (kg)	Dimensions (mm)								
				Jaw A	B	C	D	E	F	G	J	K
IPBHZ	.75	2705461	3.0	0 - 25	40	148	220	50	130	69	33	22
IPBHZ	1.5	2705462	6.0	0 - 25	60	200	255	50	153	73	35	28
IPBHZ	3	2705463	10.5	0 - 40	80	227	325	70	188	112	38	32
IPBHZ	4.5	2705464	25.0	0 - 40	112	284	413	70	251	116	80	40
IPBHZ	12	2705467	42.0	0 - 40	125	466	490	90	317	90	90	47

* Design Factor based on EN 13155 and ASME B30.20.



Model IPBSNZ

Model	Working Load Limit (t)*	IPBSNZ Stock No.	Weight Each (kg)	Dimensions (mm)									
				Jaw A	B	C	D	E	F	G	H	J	K
IPBSNZ	1.5	2705925	14.0	0 - 32	100 - 270	304	480	70	319	47	16	165	148
IPBSNZ	3	2705926	22.0	0 - 40	100 - 330	352	494	75	408	56	20	207	182
IPBSNZ	4.5	2705927	30.5	0 - 50	100 - 360	420	630	75	457	56	20	250	188

* Design Factor based on EN 13155 and ASME B30.20.

