



IPSC10

The IPSC10 screw style clamp is for positioning, pulling and turning plates or fabrications.

Suitable for use in positioning & turning steel plates and sections. Not to be used as a lifting clamp.

- Available in capacities of 1.5 and 3 metric tons.
- Jaw openings available: 0° to 2.36°.
- Suitable for steel with a surface hardness up to 30 Rc.
- Forged alloy steel body for strength and smaller size. Forged alloy components, where required.
- Individually Proof Tested to 2 times the Working Load Limit with certification.
- Company name (CrosbyIP), logo, Working Load Limit and jaw opening permanently stamped on body.
- Each product is individually serialized, with the serial number and Proof Load test date stamped on body. User manual with test certificate is included with each clamp.
- Manufactured by an ISO 9001 facility.

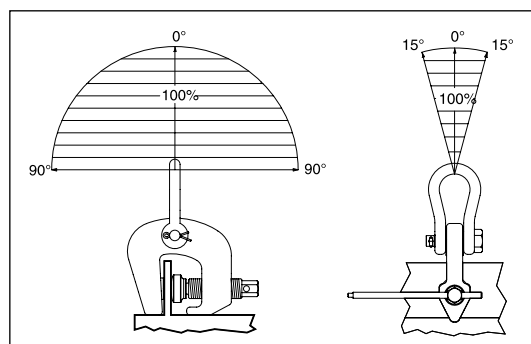
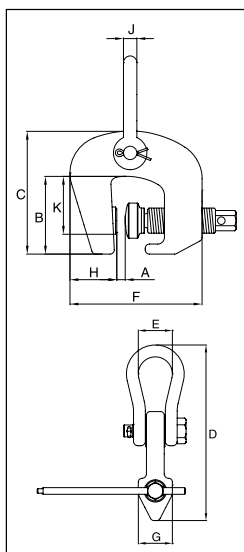


Load Rated

Model IPSC10

Model	Working Load Limit (t)*	IPSC Stock No.	Weight Each (lbs.)	Dimensions (in.)									
				Jaw A	B	C	D	E	F	G	H	J	K
IPSC10	1.5	2703857	10.14	0 - 1.57	3.54	5.63	9.88	1.73	6.14	1.96	1.77	.63	2.55
IPSC10	3	2703858	18.50	0 - 2.36	4.29	6.89	12.20	2.00	7.87	2.44	2.16	.748	3.26

* Design Factor based on EN 13155 and ASME B30.20.



IP5000

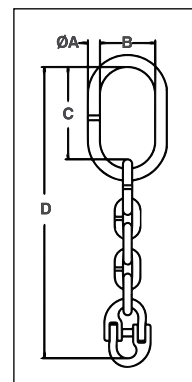
The IP5000 Stinger Assembly is designed to be used as a connecting link between the clamp and the hoist hook.

Provides easy attachment of selected Crosby® IP clamp to hoist hook.

- Available in three sizes for the IP10 and IPU10 with capacities from .5 to 12 metric tons.
- Assembly consists of welded alloy master link, Grade 80 chain and A-1337 Lok-A-Loy for attachment to the clamp hoisting eye.
- Individually Proof Tested to 2.5 times the Working Load Limit of Grade 80 chain with certification.
- Company name or logo and frame number permanently stamped on link.
- Locking system provides for simple assembly - no special tools needed.
- Finish - Red Paint.
- Manufactured by an ISO 9001 facility.



NOTE: Not Intended to be Used as a Chain Sling.



Model IP5000

Frame Size	Chain Size		Crosby® IP10 and IPU10 Clamp Sizes (t)*	IP5000 Stock No.	Weight Each (lbs.)	Dimensions (in.)			
	(in.)	(mm)				A	B	C	D
1	5/16	8	0.5 - 1	2701695	2.10	.51	2.36	3.94	12.41
2	1/2	13	2 - 4.5	2701704	7.50	.87	3.54	5.67	19.06
3	7/8	22	6 - 12	2701713	32.4	1.42	5.51	9.22	32.27

* The working load of the assembly is based on working load limit of the selected clamp. Ultimate load is 5 times the Working Load Limit.