

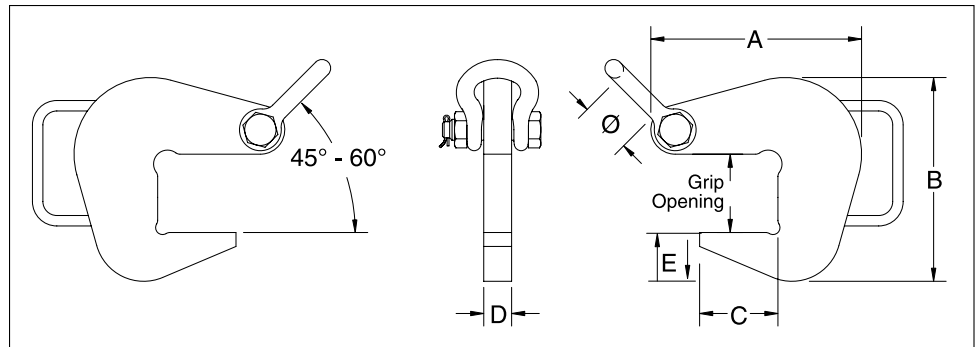
CROSBY Clamp -Co® Pipe Hooks



CCPH

Crosby Clamp-Co® Pipe Hooks provide a fast and efficient method for lifting pipe, tube or any similarly shaped fabrications.

- Alloy steel plate construction.
- Equipped with a convenient handle.
- Equipped with a Bolt Type Shackle.
- Non marring inserts available.
- Used in pairs with 45° - 60° horizontal angle or 60° - 90° included angle.



Pipe Hooks

Model	Stock No.	Working Load Limit Per Pair (t)**	Grip (in.)	Weight Each (lbs.)	Dimensions (in.)						Shackle Size (in.)	Cast Aluminium Inserts*
					A	B	C	D	E	Ø		
PH-2	2734500	2	2.06	5.94	5.81	5.06	2.06	1.00	1.25	1.69	5/8	2734800 2734809
PH-4	2734509	4	2.81	10.03	7.56	7.31	2.81	1.00	1.75	1.69	5/8	2734818
PH-6	2734518	6	4.06	17.74	10.18	10.06	4.06	1.00	2.25	2.00	3/4	2734827
PH-10	2734527	10	6.06	38.67	14.81	15.06	6.06	1.00	3.50	2.69	1.0	2734836

* See CCPHI chart for Pipe ID range.

**Design factor based on EN13155 and ASME B30.20.

Contact our Specials Sales Department for custom Pipe Hooks or reference the special request form on page 465.

Pipe Hook Inserts

- Replaceable cast aluminium inserts for use with the CCPH Pipe Hook that minimizes thread and pipe damage.



CCPHI

CCPHI

Catalog Number	Stock No.	ID of Pipe (in.)
CCPHI	2734800	3-12
	2734809	12-18
	2734818	18-30
	2734827	30-42
	2734836	42-72

