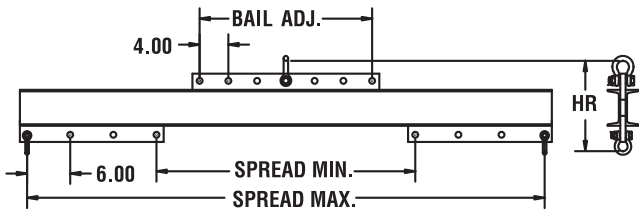


# Lifting Beams

## Model 16 - Adjustable Spreader/Lifting Beam



### PRODUCT FEATURES:

- Adjustable lifting points.
- Handles both wide and unbalanced loads.
- Low headroom capability.
- Shackles included.
- Add chain top rigging for additional stability.
- Optional swivel hooks available.
- Optional chain top rigging available.
- Complies with ASME standards.

### PRODUCT OPTIONS:

- **OPTION S** - Pair of swivel hooks
  - **OPTION C** - Chain top rigging
  - **OPTION B1** - One cross beam\*
  - **OPTION B2** - Two cross beams\*
- \* Specify spreads

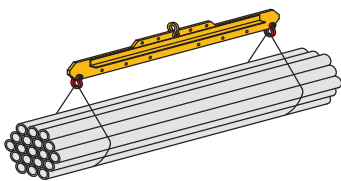
### SPECIFICATIONS

| Model Number | Rated Capacity (tons) | Spread (in.) |      | Bail Adjustment (in.) | HR Headroom (in.) | Bolt Type Anchor Shackle (tons) |        | Weight (lbs.) |
|--------------|-----------------------|--------------|------|-----------------------|-------------------|---------------------------------|--------|---------------|
|              |                       | Max.         | Min. |                       |                   | Top                             | Bottom |               |
| 16-1/4-4     | 1/4                   | 48           | 12   | 16                    | 7.13              | 1.5                             | 1.5    | 40            |
| 16-1/2-4     | 1/2                   | 48           | 12   | 16                    | 7.13              | 1.5                             | 1.5    | 40            |
| 16-1/2-6     | 1/2                   | 72           | 36   | 24                    | 10.00             | 1.5                             | 1.5    | 100           |
| 16-1/2-8     | 1/2                   | 96           | 48   | 32                    | 10.00             | 1.5                             | 1.5    | 135           |
| 16-1/2-10    | 1/2                   | 120          | 60   | 40                    | 10.00             | 1.5                             | 1.5    | 145           |
| 16-1-6       | 1                     | 72           | 36   | 24                    | 10.00             | 1.5                             | 1.5    | 100           |
| 16-1-8       | 1                     | 96           | 48   | 32                    | 11.00             | 1.5                             | 1.5    | 140           |
| 16-1-10      | 1                     | 120          | 60   | 40                    | 11.00             | 1.5                             | 1.5    | 175           |
| 16-2-6       | 2                     | 72           | 36   | 24                    | 12.50             | 3.25                            | 2      | 130           |
| 16-2-8       | 2                     | 96           | 48   | 32                    | 13.50             | 3.25                            | 2      | 200           |
| 16-2-10      | 2                     | 120          | 60   | 40                    | 14.50             | 3.25                            | 2      | 280           |
| 16-4-8       | 4                     | 96           | 48   | 32                    | 16.75             | 4.75                            | 4.75   | 290           |
| 16-4-10      | 4                     | 120          | 60   | 40                    | 18.75             | 4.75                            | 4.75   | 420           |
| 16-4-12      | 4                     | 144          | 72   | 48                    | 18.75             | 4.75                            | 4.75   | 500           |
| 16-5-8       | 5                     | 96           | 48   | 32                    | 18.75             | 6.5                             | 4.75   | 320           |
| 16-5-10      | 5                     | 120          | 60   | 40                    | 20.25             | 6.5                             | 4.75   | 465           |
| 16-5-12      | 5                     | 144          | 72   | 48                    | 20.25             | 6.5                             | 4.75   | 550           |
| 16-7-12      | 7                     | 144          | 72   | 48                    | 23.75             | 8.5                             | 6.5    | 790           |

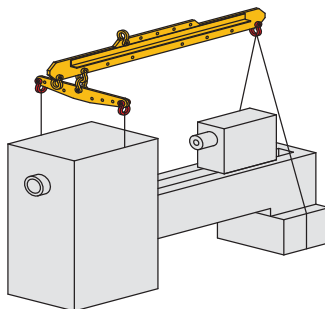
**INSTOCK PROGRAM**

**QUICKSHIP PROGRAM**

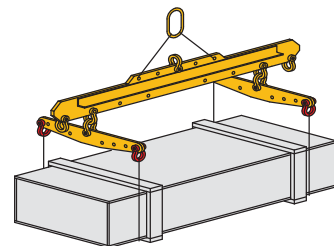
## Operation



Standard  
2 Point Lift



Custom  
3 Point Lift



Custom  
4 Point Lift