

Item# _____
Project: _____
Qty: _____

Bottle Cooler

BC-36
36 in.



BC-50
50 in.



BC-65
65 in.



Features

- CFC Free Refrigerant and Foam
- Forced-Air Cooling
- Adjustable Dividers Included
- Self-Defrosting Evaporator
- Bottle Cap Opener and Cap Catcher Standard
- Locking Stainless Steel Sliding Doors
- INTERIOR: Stainless Steel
- EXTERIOR: Steel Painted Black, Stainless Steel Sliding Doors and Landing Edge

Serv-Ware BC Series Bottle Coolers are UL Safety and UL Sanitation Approved.

Featured with a stainless steel interior, steel floor and steel painted black exterior. Unit is shipped with stationary rollers for ease of cleaning. Locking stainless steel sliding doors provide easy access to the product. Includes product dividers, built in bottle opener and cap catcher. The bottom mounted compressor designed to hold temperatures between 33°F and 41°F.

Conforms to UL471, CSA C22.2 and NSF 7 Standards.

Two Year - Parts & Labor on entire unit. Valid in United States
Three Year - Additional Compressor, Part Only



Serv-Ware
www.servware.com

Phone:(800).768.5953

Revised 2/17

Fax:(800).976.1299



Certified to ANSI/NSF 7

Serv-Ware

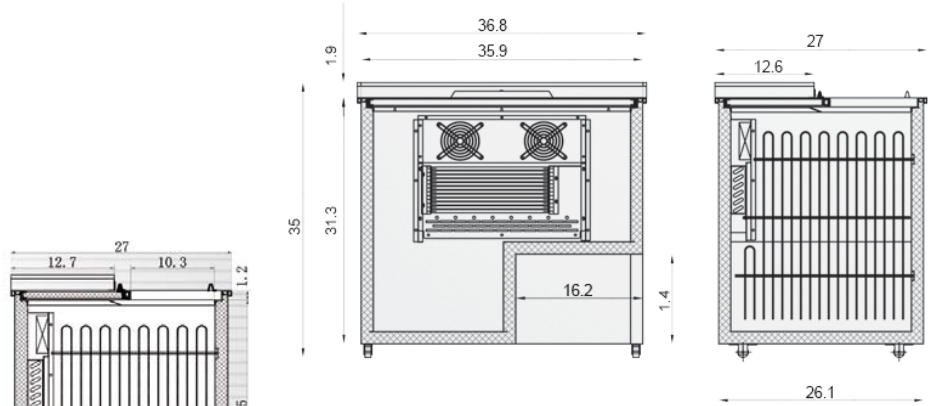
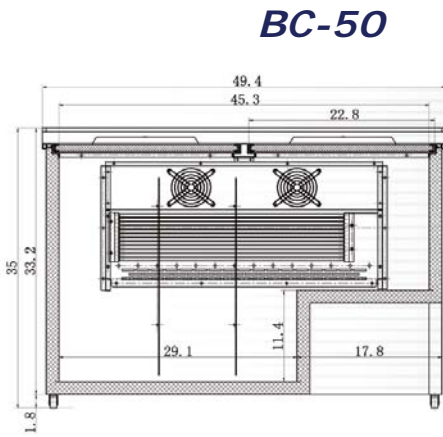
Bottle Cooler

Item# _____

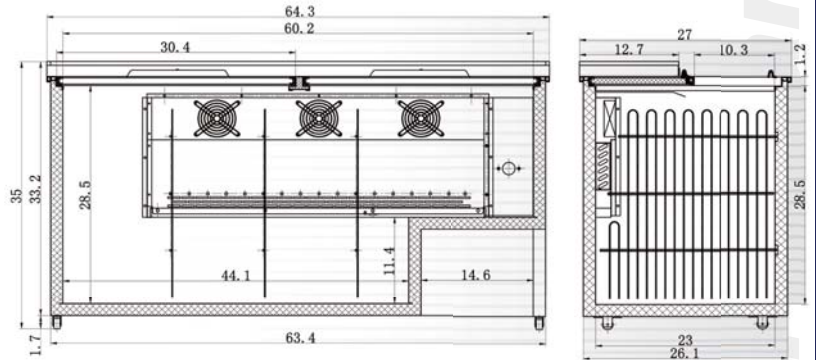
Project: _____

Qty: _____

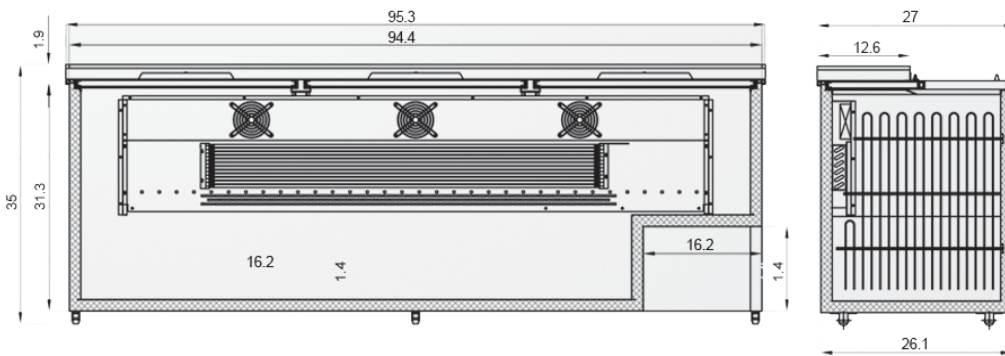
BC-36



BC-65



BC-95



MODEL	EXTERNAL DIMENSION inch (W x D x H)	V/Hz/Ph	AMPS	STORAGE CAPACITY Cu-ft	CAPACITY 12 OZ. BOTTLE / CAN	HP	TEMPERATURE	CERTIFICATION	WEIGHT / LBS. (Shipping)
BC-36	36.8" x 27" x 35"	115V/60Hz/1	7.0	10	9 ½ CASES / 11 ½ CASES	3/8	33°F - 41°F	UL/cUL	190
BC-50	49.4" x 27" x 35"	115V/60Hz/1	7.0	13.5	17 ½ CASES / 23 ¼ CASES	3/8	33°F - 41°F	UL/cUL	247
BC-65	64.3" x 27" x 35"	115V/60Hz/1	7.0	17.2	25 ¼ CASES / 34 ¼ CASES	3/8	33°F - 41°F	UL/cUL	294
BC-95	95.3" x 27" x 35"	115V/60Hz/1	7.0	26	39 CASES / 55 ¼ CASES	3/8	33°F - 41°F	UL/cUL	398



Serv-Ware
www.servware.com

Phone: (800).768.5953

Revised 2/17

Fax: (800).976.1299



Certified to ANSI/NSF 7