

Basic Information Needed to Order a Product or Request a Quote

Product type

Insert, knifehead, groover, accessory, ect.

Quantity

Diameter

Number of Wings

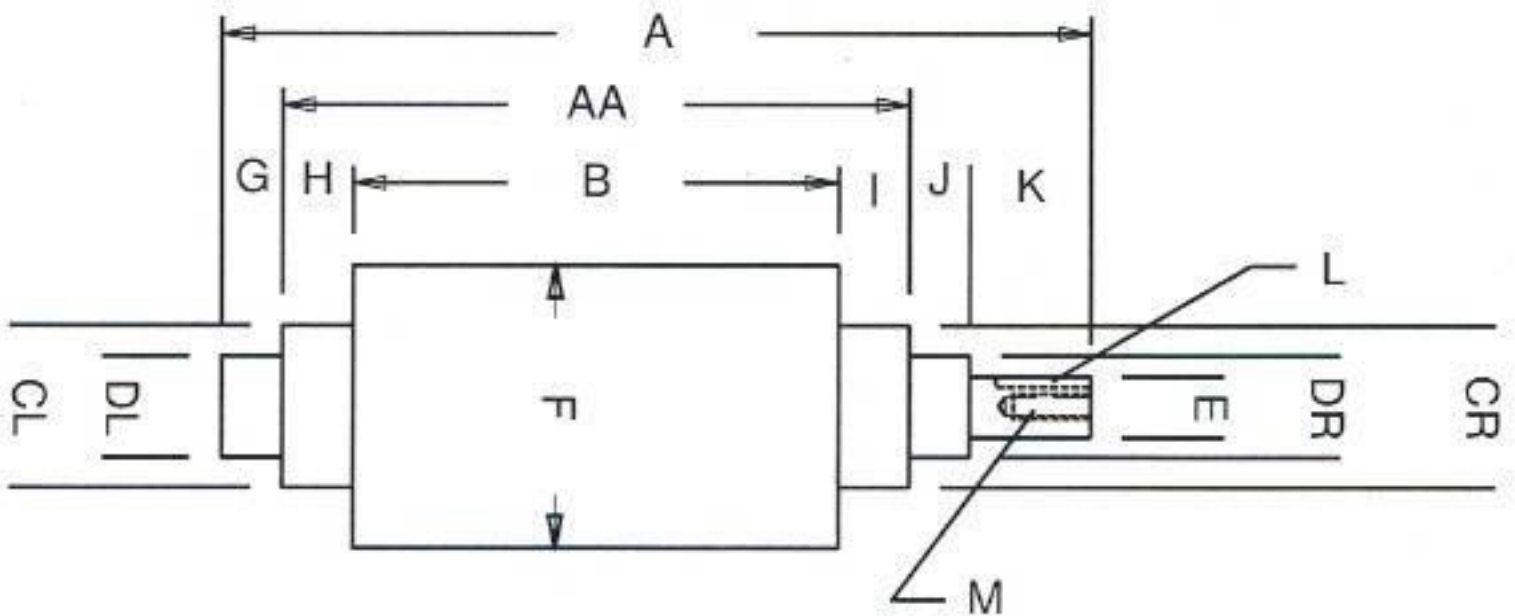
Bore size

Bore Type

Straight, hydraulic, coned, ect.

Miscellaneous Information

Keyway, bolt or pin holes, hook angles, pattern, shear, hubs, rotation, ect.

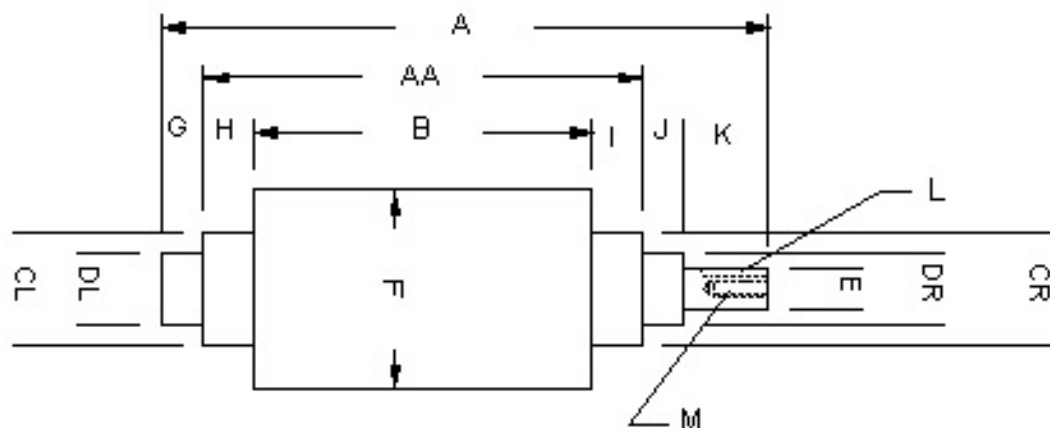


If you are sending a sample for us to get the dimensions, please leave at least one of the knives in the cutter head so that we are able to get an accurate OD of the cutter head.

Contact customer service for a detailed form for journal head specifications like the one shown above.

BYRD TOOL CORP.
 502 JOHNSON STREET
 LEITCHFIELD, KY. 42754

PHONE: (270) 230-0079 FAX: (270) 230-0029 mail@byrdtool.com



A(overall length) _____
 AA(length between bearings) _____
 B(cutting edge length) _____
 CL= _____
 CR= _____
 DL= _____
 DR= _____
 E= _____
 F(cutting dia.)= _____
 G= _____
 Rotation _____

H= _____
 I= _____
 J= _____
 K= _____
 L (Key Way) _____
 M(internal threads) _____
 External threads _____
 # Knives/ Wings _____
 Feed Rate _____

Company Name _____

Contact _____

Fax / Phone / email _____

Approval _____

Machine Mfg. _____

Model # _____ Sn. # _____

JOINTER PLANER