

**JMK Displays Inc.**

1237 Broadway

Darien Ctr., NY 14040

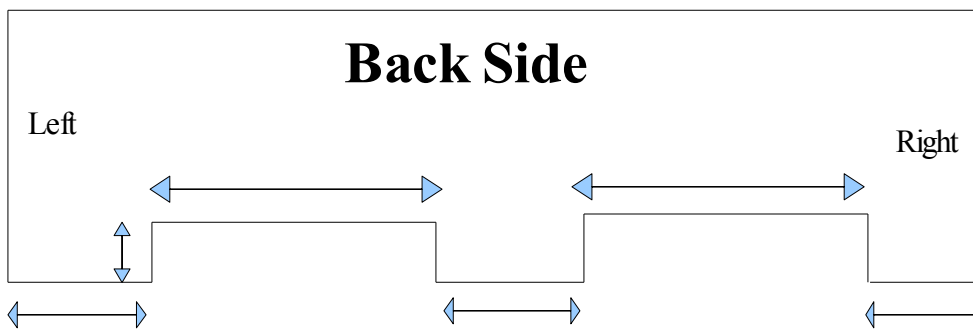
Phone/Fax: 1-585-5479843

[www.jmkdisplays.com](http://www.jmkdisplays.com)

[sales@jmkdisplays.com](mailto:sales@jmkdisplays.com)

PDF form for Turntable cover quote

**Double Rear cut-out form**



**Covers can have more than 1 rear cut-out.  
Show on drawing if more than 1 rear cut-out is  
required.**

**Fill in all dimensions in inches.  
Cut out can be placed on either side of the rear cover.**

**Print out this form which can be E-mailed in PDF or  
JPEG format.**

**You can also fax it to the above fax number.**

**Please leave name, number, or E-mail address to send  
quote.**