

AUSTRALIAN LIFTING CENTRE PTY LTD

MATERIAL HANDLING & HOISTING EQUIPMENT

1300 100 120
WWW.AUSTLIFT.COM.AU

 AUSTLIFT®

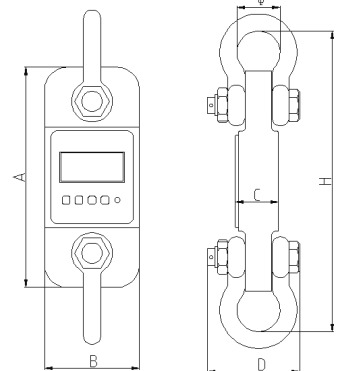


Contents

<i>Load Cell</i>	51
<i>Chain Block (W3 Series)</i>	52
<i>Chain Block (W3 Series)</i>	53
<i>Lever Block (L3 Series)</i>	54
<i>Light Duty Snatch Block</i>	54
<i>Heavy Duty Snatch Block</i>	55
<i>Heavy Duty Snatch Block</i>	55
<i>Permanent Magnetic Lifter</i>	56
<i>Wire Rope Winch</i>	56
<i>Wire Rope Winch Instructions</i>	57
<i>Electric Chain Hoist</i>	58
<i>Electric Wire Rope Hoist</i>	59
<i>Swivel Hoist Frame</i>	59
<i>Mini Wire Rope Hoist</i>	60
<i>Universal Plate Clamp</i>	60
<i>Horizontal Plate Clamp</i>	60
<i>Girder Clamp</i>	61
<i>Push Trolley</i>	61
<i>Geared Trolley</i>	62
<i>Drum Trolley</i>	62
<i>Drum Lifter</i>	62
<i>Chain Block Spare Parts</i>	63
<i>Level Block Spare Parts</i>	64
<i>Plate Clamps Repair Kits</i>	65
<i>Level Block Spare Parts</i>	65
<i>Snatch Block Sb01 Spare Parts</i>	66

Austlift Shackle Link Load cells are used for measuring the accurate weight of an object to be lifted or tensioned mainly for use for the crane and rigging industry, test laboratories also research and development facilities.

- Robust construction and large digital display with back light feature.
- Capacities available from 1 tonne to 200 tonne with accuracy of 0.1%.
- Capable of measuring loads in pounds, tonnes and kilogram units.
- Battery operated with low battery and overload warning feature.
- All load cells comes with two shackles and remote in heavy duty carry case.



WARNING The remote control is not recommended for use in explosive environments. Load cells should not be exposed in heavy moisture conditions for long periods. Aluminium load cell units are not suitable to be used in mine sites.

Model	Max. Capacity (Kg)	Min. Weight (Kg)	Division (Kg)	Total Display Counts(N)
160001	1000	10	0.5	2000
160002	2000	20	1	2000
160003	3000	20	1	3000
160005	5000	40	2	2500
160010	10000	100	5	2000
160020	20000	200	10	2000
160030	30000	200	10	3000
160050	50000	400	20	2500
160100	100000	1000	50	2000
160200	200000	2000	100	2000

Product Code	WLL	Div	A	B	C	D	Φ	H	Material
	T	kg	mm	mm	mm	mm	mm	mm	
160001	1	0.5	245	112	37	190	43	335	Aluminium
160002	2	1	245	116	37	190	43	335	Aluminium
160003	3	1	260	123	37	195	51	365	Aluminium
160005	5	2	285	123	57	210	58	405	Aluminium
160010	10	5	320	120	57	230	92	535	Alloy Steel
160020	20	10	420	128	74	260	127	660	Alloy Steel
160030	30	10	420	138	82	280	146	740	Alloy Steel
160050	50	20	465	150	104	305	184	930	Alloy Steel
160100	100	50	570	190	132	366	229	1230	Alloy Steel
160200	200	100	725	265	183	440	280	1380	Alloy Steel

Code	160001	160002	160003	160005	160010	160020	160030	160050	160100	160200
Unit Weight (Kg)	1.6	1.7	2.1	2.7	10.4	17.8	25	39	81	210
Weight with Shackle (Kg)	3.1	3.2	4.6	6.3	24.8	48.6	87	128	321	776

W3 Series

Chain Block (W3 Series)



Austlift industrial Grade W-3 series manually operated Chain Blocks are used for general hoisting operation such as mining, construction, industrial lifting and domestic applications.

- Rated capacities from 250kg to 20 tonne.
- Standard height of lift is 3 and 6 metre.
Other height of lift available upon request.
- Manufactured for ease of operation, and light weight in design.
- Robust, durable and compact in construction
- All blocks come with ball bearing Swivel Hook.
- Individually serial numbered with Test Certificate and instruction manual supplied.
- Conforms to AS1418.2 standards.
- Spare parts available refer to page 63.

Please check operation manual for more details

DIMENSIONS

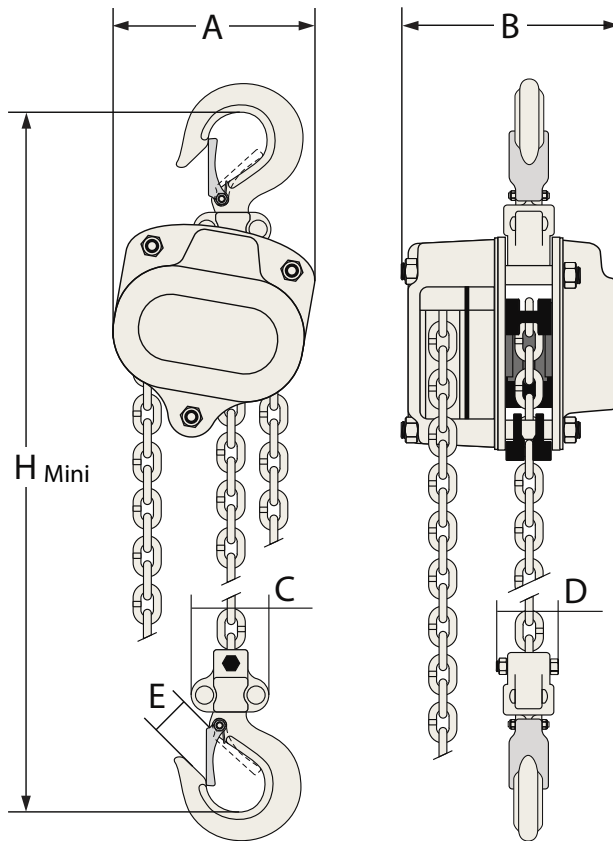
3M Chain Code	6M Chain Code	WLL Tonne	A mm	B mm	C mm	D mm	E mm	H MINI mm
111002	-	0.25	95	97	27	27	18	230
111005	111505	0.5	140	131	60	33	31	312
111010	111510	1	156	151	61	31	33	360
111015	111515	1.5	176	151	60	44	38	385
111020	111520	2	223	183	67	58	40	430
111025	111525	3	223	151	106	85	44	490
111030	111530	5	252	183	133	64	49	675
111035	111535	10	380	183	263	88	64	880
111040	111540	15	420	230	310	95	80	950
111045	111542	20	480	320	580	100	95	1075

3M Chain CODE	6M Chain CODE	WLL (T)	Test Load (T)	Pulling Effort (Kg)	Load Chain Size (mm)	No. of chain falls	Net Weight (Kg)	Extra Weight/M Extra Lift (Kg)	Packaging Dimensions (cm)
111002	-	0.25	0.32	≤25	4	1	3	1.5	22x17x23
111005	111505	0.5	0.63	≤27	5	1	8.2	1.5	22x17x23
111010	111510	1	1.25	≤31.5	6	1	11.3	1.8	24x18x23
111015	111515	1.5	1.88	≤36	7.1	1	13.2	2	26x18x26
111020	111520	2	2.5	≤40	8	1	21.3	2.7	32x20x29
111025	111525	3	3.75	≤47.5	7.1	2	21.7	3.2	31x18x33
111030	111530	5	7.5	≤48	9	2	39.7	5.3	40x20x36
111035	111535	10	12.5	≤49.5	9	4	66	9.8	54x50x31
111040	111540	15	18.75	≤45.6	10	6	95	14.2	55x60x40
111045	111542	20	25	≤44.7	10	8	155	23.9	60x70x50

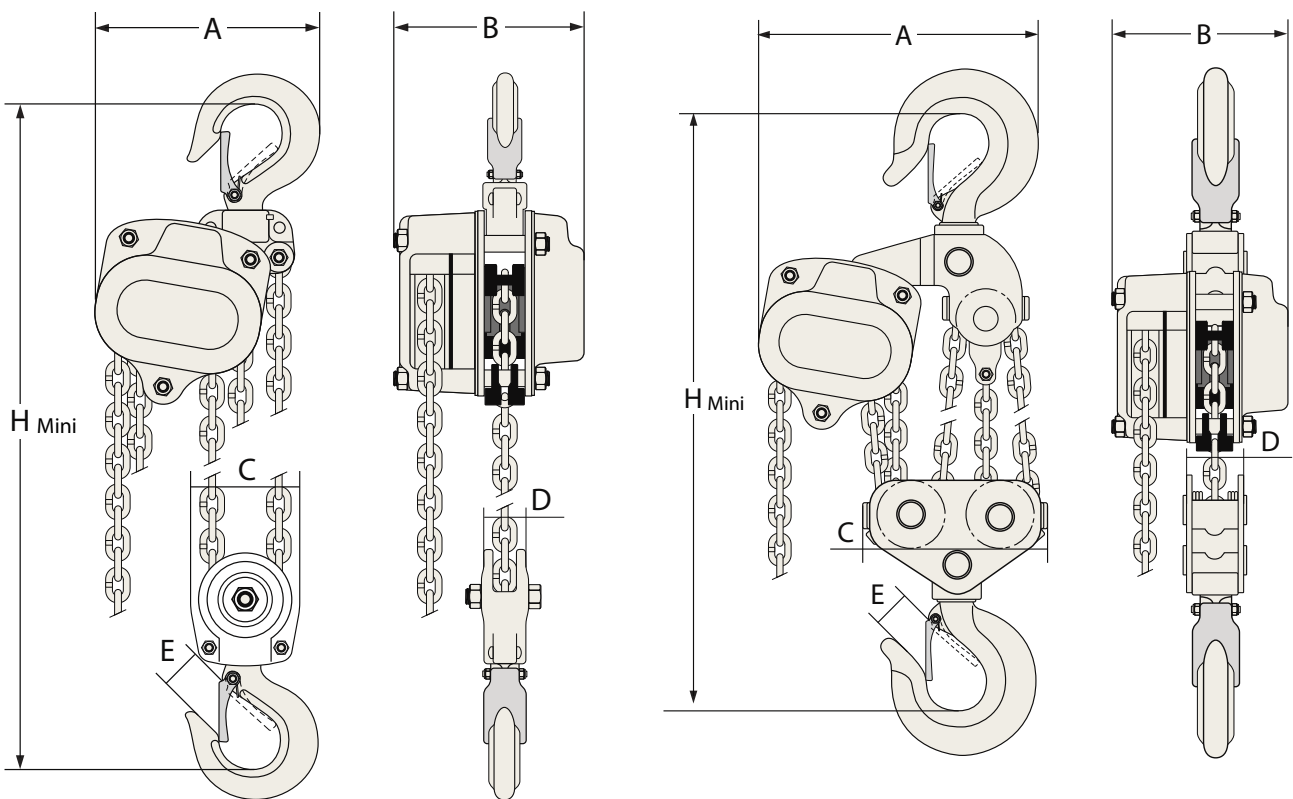
* Other chain length available.(111541 15Tx10M, 111544 20Tx9M.)

W3 Series

Chain Block (W3 Series)



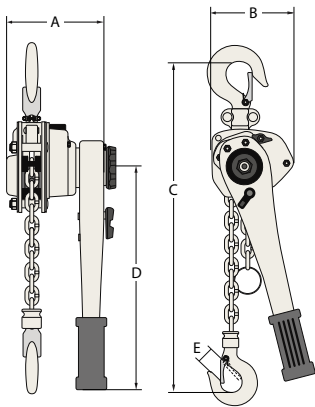
WLL: 0.5T, 1T, 1.5T, 2T



WLL: 3T, 5T

WLL: 10T, 15T, 20T

Lever Block (L3 Series)



Austlift L-3 series Lever Blocks are used for general hoisting in the mining, construction, industrial and domestic situations. Commonly used for short lifts and pulling applications.

- Rated capacities available 250kg to 9 tonnes.
- Standard height of lift 1.5 or 3 metre except for 250kg which has 1 metre lift, Other lift height available upon request.
- Robust, durable, portable and compact in construction.
- All Lever Blocks come with ball bearing Swivel Hook.
- Test Certificate and instruction manual supplied.
- Conforms to AS1418.2 standards.
- Spare parts available refer to page 64.

WLL	0.25T	0.5T	0.75T	1 T	1.5T	3 T	6 T	9T
CODE	121002	121005 /121305	121010 /121310	121015 /121315	121020 /121320	121025 /121325	121030 /121330	121035 /121335
Lift Length (m)	1	1.5 / 3	1.5 / 3	1.5 / 3	1.5 / 3	1.5 / 3	1.5 / 3	1.5 / 3
Test Load (T)	0.38	0.75	1.12	1.5	2.25	4.5	9	13.5
Effects required At capacity, (N)	217	303	140	185	234	363	370	375
Lifting Chain Size (mm)	4	5	6.3	6.3	7.1	9	9x2	9x3
Min Hook to Hook: C (mm)	205	260	295	295	335	450	542	645
Head Room: B (mm)	75	82	128	128	148	181	232	366
Head RoomL: A (mm)	92	110	152	152	175	195	195	195
Handle size: D (mm)	153	251	256	256	368	368	368	368
Net weight (kg)	1.85	3.5	7.0	7.2	11	20	28	43

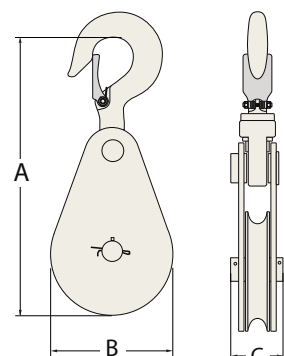
Please check operation manual for more details. Longer Chain Lengths are available upon request.

Light Duty Snatch Block

Austlift Manually operated Sheave Blocks are used for general hoisting use such as Shipping, Mining ,General Engineering, Agriculture and domestic applications.

- Manufactured for ease of operation light weight, durable and compact in design.
- Swivel Hook type, single Sheave with rated capacities from 250kg to 1.5 tonne.
- Available in Fibre Rope and Wire Rope sheave blocks with 75mm to 150mm sheave diameters also fitted with bronze bush.
- Conforms to AS 2089, Test Certificate supplied.

**Hook Type, Single Sheave.
Hand Operated**



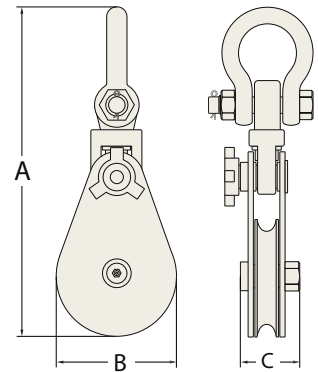
CODE	WLL	SHEAVE DIA	FIBRE ROPE	Wire Rope	DIMENSIONS		
					A	B	C
		mm	mm	mm	mm	mm	mm
139075F 139075W	250kg	75	12	6	222.4	80	40
139100F 139100W	500kg	100	16	8	300.5	108	48.5
139125F 139125W	1000kg	125	20	10	346	140	53.5
139150F 139150W	1000kg	150	24	12	392	168	60

Heavy Duty Snatch Block

**Swivel Shackle & Hook Type,
Single Sheave**

Austlift Manually operated Snatch Blocks are popular in the Mining, Construction, Off Shore Rigging and heavy duty lifting applications.

- Made from hi-tensile steel body and cast steel Sheave.
- Grease nipples fitted with roller and brass bush bearings.
- Blocks come with swivel Bow Shackle.
- Capacities available from 2 tonne to 50 tonne.
- Drop forged, heat treated swivel shackle.
- MBS is 5 times of WLL.
- Conforms to AS2089. Test Certificate supplied.



Swivel Shackle
Snatch Block

SHACKLE HEAD							
CODE	WLL	SHEAVER DIAMETRE	WIRE ROPE DIAMETRE	UNIT WEIGHT	A	B	C
	T	mm	mm	kg	mm	mm	mm
140102	2	75	8-9	4	286	82	70
140103	4	115	10-13	6.1	360	120	70
140104	4	152	10-13	13.8	400	160	70
140106	6	152	13-16	15	480	180	80
140108	8	203	16-18	16	530	210	93
140110	10	254	18-20	37.5	680	260	115
140112	12	305	20-22	56	767	310	133
140115	15	305	24-26	65	884	310	133
140122	22	355	28-32	90	952	365	140
140130	30	510	32-36	210	1100	510	200
140150	50	610	44-50	418	1140	630	210

Heavy Duty Snatch Block

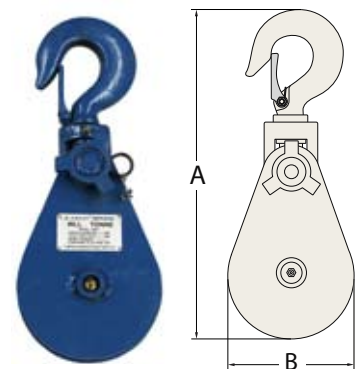
Steel Wire Rope References:

6x25Fi+IWRC or 6x36S+IWRC 1770MPa Wire Rope is recommended.

Diameter of the rope can be reduced by using higher tensile rope.

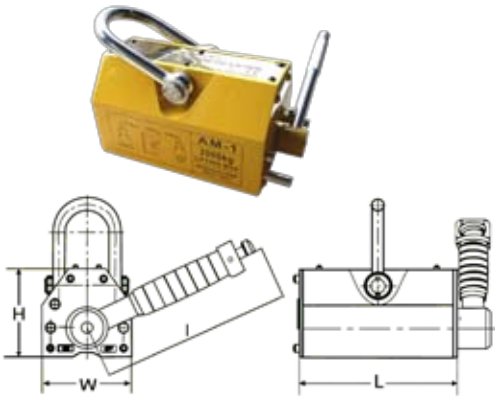
Check Wire Rope MBS and load rating of equipment and load rating of equipment before operation.

HOOK HEAD							
CODE	WLL	SHEAVER DIAMETRE	Wire Rope DIAMETRE	UNIT WEIGHT	A	B	C
	T	mm	mm	kg	mm	mm	mm
140504	4	152	10-13	14	430	160	70
140508	8	203	16-18	16.5	550	210	93



Hook Type Snatch Block

Permanent Magnetic Lifter



Austlift AM-1 Permanent Magnetic Lifter have a wide variety of uses for lifting and shifting steel products, flat plate and round bar, steel parts and finished steel goods etc. This versatile lifting device has the advantage of moving material without damaging the steel surface.

- Capacities available from 100kg to 6,000kg
- No power source required with less than 1% residual magnetism.
- Simple to operate with safety button design.
- Magnet breakaway force of 3.5 times the Work Load Limit..
- Complies to AS4991 with test certificate supplied.

* Non-stocked items, please check with us.

Product Code	Rated Lifting Strength (Kgf)	Vertical / Cylindrical Lifting Strength (Kgf)	Max. Pull-off Strength (Kgf)	DIMENSIONS (mm)				Operation Temperature (°C)	Net Weight (Kg)
				L	W	H	R		
144101	100	30	300	92	64	70	145	<80	3
144102*	200	60	600	114	72	86	145	<80	5
144103	300	100	900	165	88	96	176	<80	10
144104*	400	130	1000	165	88	96	176	<80	10
144106	600	200	1800	216	118	118	219	<80	20
144110	1000	300	3000	264	148	138	266	<80	37
144150*	1500	500	3750	264	168	168	285	<80	50
144200	2000	600	5000	352	168	168	380	<80	70
144300*	3000	1000	7500	424	188	183	478	<80	100
144400*	4000	1300	10000	508	226	215	612	<80	160
144500*	5000	1500	12500	516	290	265	627	<80	290
144600*	6000	2000	15000	582	290	265	627	<80	320

Wire Rope Winch

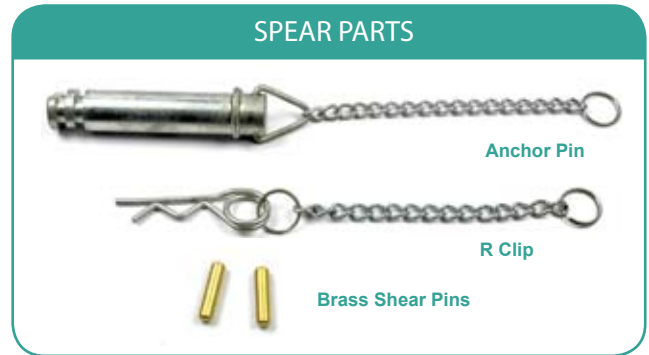
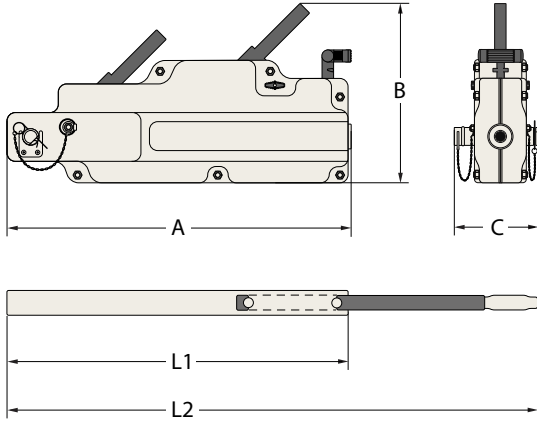
WLL	Aluminum Case	Steel Case
800kg	135008	135108
1600kg	135016	135116
3200kg	135032	135132

Austlift Wire Rope Hoist are used for lifting and hauling loads in general hoisting operation such as mining, construction, industrial lifting and domestic applications. Wire Rope Hoist is also ideally used for 4WD off road recovery.

- Compact lightweight and robust in construction.
- Recommended for portable applications.
- Able to be operated at any angle for ease to handling.
- Hoists come with Wire Rope longer lengths available.
- Hoists are individually proof tested and serial numbered.
- All hoists have spare shear pins in handle.
- Conforms to AS1418.2 with instruction manual.
- Parts available upon request.



WLL	800KG	1600KG	3200KG
Pulling Capacity	1250kg	2500kg	5000kg
Wire Rope	8.3mm	11.4mm	16.4mm
Construction	6x19S+IWRC	6x25Fi+IWRC	
Advance/pull	52mm	55mm	28mm
Handle force	343N	438N	438N

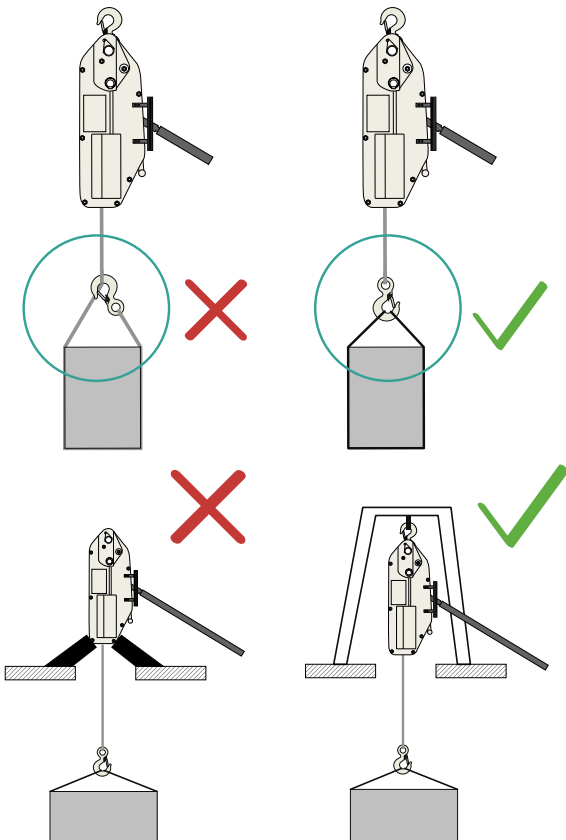


Type	FOR ALUMINIUM CASE			FOR STEEL CASE		
	800kg	1600kg	3200kg	800kg	1600kg	3200kg
A, mm	426	545	660	440	550	690
B, mm	236	280	325	265	300	350
C, mm	64	97	116	63	77	91
N.W. Winch only	7.5kg	14.5kg	23.5kg	9kg	16.5kg	31KG
N.W. Wire Rope	8kg	12kg	24kg	8kg	12kg	24kg

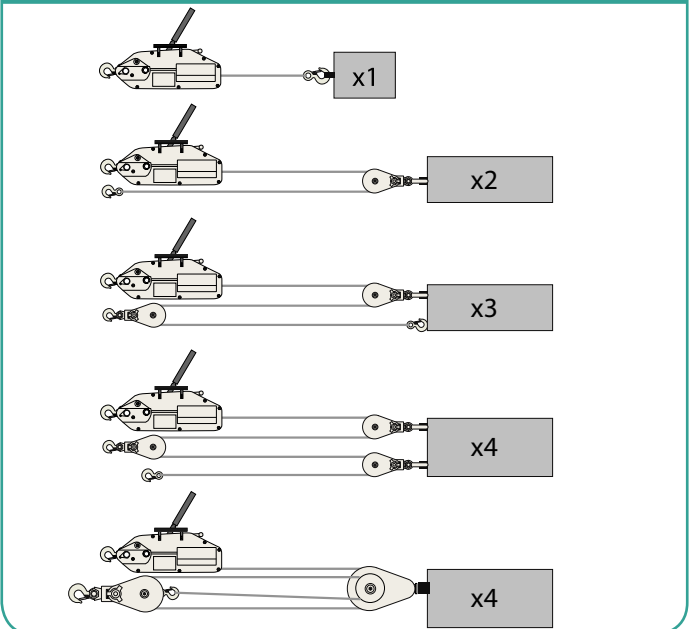
Wire Rope Winch Instructions

Incorrect Method

Correct Method



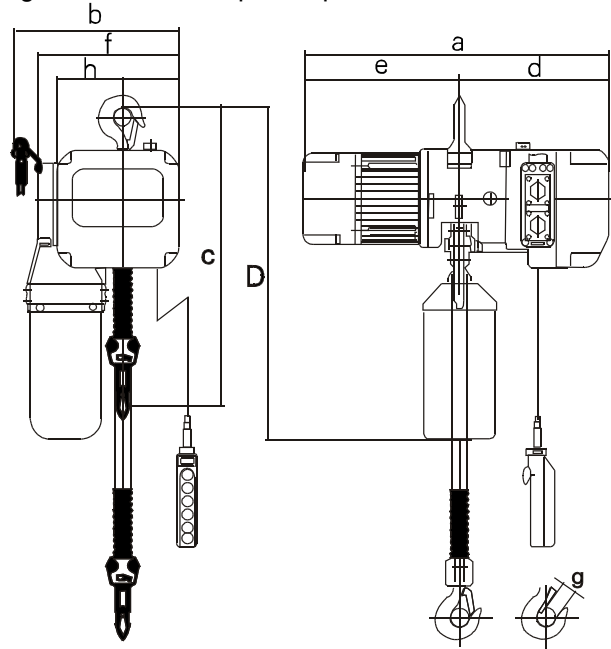
Increase the Capacity of AUSTLIFT Winches:
 By using multiple Sheave Blocks, the lifting and pulling capacity can be greatly increased. Please check the capacity of the block, the fittings & anchor points for suitability of the load.



Electric Chain Hoist

Austlift AEC-1 415v 3 Phase dual lifting speed Electric Chain Hoist is designed for optimum hoisting performance with features of durability, ease of operation and maintenance.

- Aluminium body.
- Capacities from 250kg to 10,000kg available.
- Auto power cut of to prevent damage from overloading.
- Brakes hold system in the event of power failure.
- Upper and lower electrical limit switches fitted.
- Fan cooled motor for thermal protection.
- Reverse phase protection relay fitted on all models.
- IP54 rated protection with 24 volt Pendant control.
- Quality Chain supplied by FEC Japan.
- All hoists are CE certified and comes with instruction manual and Test Certificate.
- Load chain length of 4M and 6M as standard. Longer length are available upon request.



* Electrical Trolley available from 0.25T to 10T.

Code		WLL(T)	Classification	Duty Cycle	Power (Kw)	Lifting Speed (m/min)	Load Chain	N.W (Kg)
4M	6M							
113024	114026	0.25	M6	80%	0.85/0.21	14/3.5	5x15	36/40
113054	114056	0.5	M6	60%	0.9/0.3	7.6/2.5	6.3x19	38/42
113104	114106	1	M6	50%	1.1/0.37	5/1.7	8x24	40/46
113204	114206	2	M6	50%	3/1	6/2	11.2x34	50/56
113304	114306	3	M4	40%	3/1	6/2	11.2x34	98/108
113504	114506	5	M4	40%	3/1	3/1	11.2x3.4	105/115
113904	114906	10	M4	40%	2x3/1	3/1	11.2x3.4	280/300

Code		Dimension(mm)								
4M	6M	C	D	a	b	d	e	f	g	h
113024	114026	505	620	570/592	304	273	297/337	255	24	120
113054	114056	520	620	592/610	304	273	319/337	255	31	120
113104	114106	550	640	592//630	304	273	319/357	255	38	120
113204	114206	605	770	694/740	408	336	358/404	342	45	170
113304	114306	820	770	694/740	408	336	358/404	342	45	170
113504	114506	880	860	694/740	408	336	358/404	342	61	170
113904	114906	1320	1100	694/740	408	336	358/404	342	71	170

Austlift Electric Rope Hoist is lightweight and compact in design. For use on construction sites and suitable for a variety of applications such as Factories, Warehouses, production lines etc.

- Dual capacities from 500kg to 1000kg
- Fitted with overwind limit switch with dynamic braking system.
- Power supply of 240 volt/single phase with plug fitted ready for work.
- Pendant control has IP54 protection classification.
- Hoist can be fitted to motorized trolley or rotary mounting jib as option.
- All hoists are CE certified and comes with instruction manual and Test Certificate.



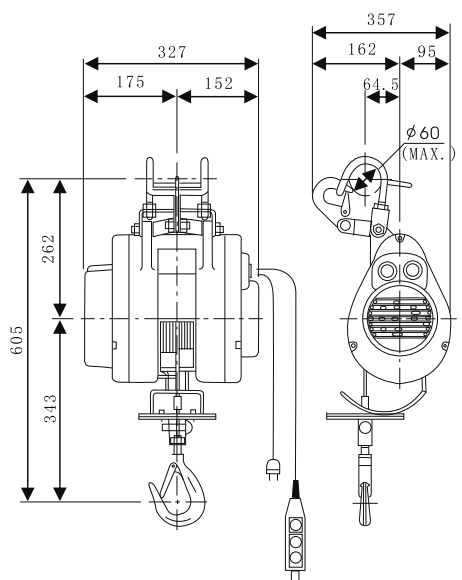
More Wire Rope Hoist Available
Refer to AUSTLIFT HOIST CATALOGUE

Model	Configuration	Volt (V)	Input Power (w)	WLL (kg)	Lifting Speed (m/min)	Lifting Height(m)	Package Size(cm)	G.W./N.W (kg)
144016	Single Hook	240	1700	500	10	12	60x30x37	36/34
	Double Hook			1000	5	6		

Mini Wire Rope Hoist

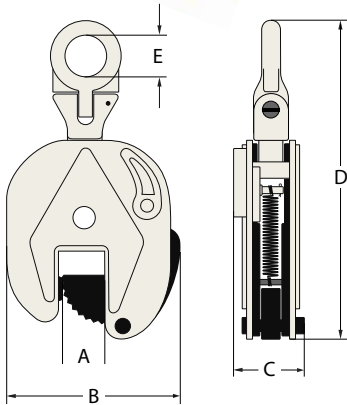
Austlift Mini electrical wire rope hoist IP54 with safety devices are easy control of lifting for a wide range of application for warehouse, storage areas, factories, house areas, construction sites and plubings.

- Light weight & Compact design.
- Automatic stop when rope touches limit arm.
- Dynamic brake designs for both static and dynamic loading.



MODEL	144051	144053
Rated Load (Kg)	150	250
Rated Volt(V)	AC100-240 50/60Hz	
Input Power(W)	780	1200
Wire rope Dia(mm)	Φ3.8	Φ4.2
Lifting Speed(m/min)	15	12
Lifting Height(m)	20	
G.W./N.W.(Kg)	28/27	30/29
Packing Size(mm)	425x365x370	

Universal Plate Clamp

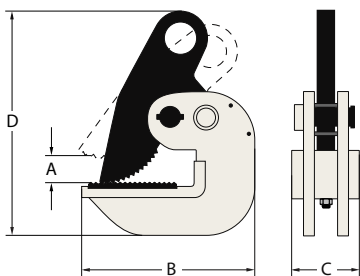


Austlift UPC range of Clamps are equipped with a Universal Hinged Lifting Eye, making it possible to lift loads from any given direction.

- Capacities available from 0.75 tonne to 5 tonne.
- Can be used on material hardness up to 37RC.
- Individually serial numbered comes with Test Certificate and user manual.
- Spare Parts are available.
- Complies to AS4991.

CODE	WLL	JAW OPENING	Wt.	EYE	HEIGHT	WIDTH
	T	mm	kg	dia	mm	mm
142075	0.75	0-15	2	Φ30	218	105
142150	1.5	0-20	7.4	Φ60	370	170
142200	2	0-25	7.8	Φ60	375	175
142300	3	0-30	16	Φ60	418	195
142500	5	0-50	23	Φ80	480	230

Horizontal Plate Clamp



Fitted with locking button (a safety feature)

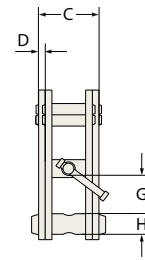
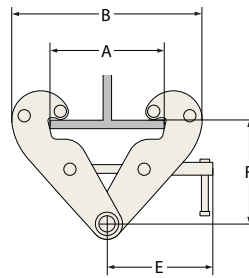
Austlift HPC Horizontal Lifting Clamps are used in pairs to lift and transport steel material on a flat plane configuration.

- Capacities available from 0.75 tonne to 5 tonne per pair.
- Can be used on material hardness up to 37RC
- Individually serial numbered comes with Test Certificate and user manual.
- Spare Parts are available
- Complies to AS4991.

CODE	WLL	JAW OPENING	Wt.	EYE	HEIGHT	WIDTH
	T	mm	kg	dia	mm	mm
143075	0.75	0-25	3.5	Φ25	175	125
143100	1	0-30	4	Φ30	205	161
143150	1.5	0-30	4.3	Φ30	205	161
143200	2	0-35	7.2	Φ30	245	175
143300	3	0-40	8	Φ30	250	180
143500	5	0-50	9	Φ30	260	185

Austlift CG-01 Girder clamps are designed to lift steel girders and narrow steel plate or clamped on girder to utilize as a lifting point.

- Capacities available from 1 tonne to 10 tonne.
- Can use on material hardness up to 37RC.
- Individually serial numbered comes with Test Certificate and user manual.
- Complies to AS4991 & AS1418.2.

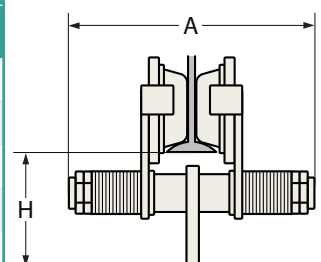
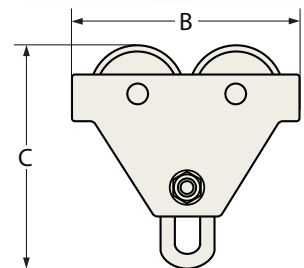


CODE	WLL	ADJ BEAM SIZE	Wt. kg	DIMENSIONS												
				A		B		C		D		E		F		G
	T	mm		max mm	min mm	max mm	min mm	max mm	min mm	max mm	min mm	max mm	min mm	max mm	min mm	max mm
132005	1	75-220	4.5	260	180	360	64	5	215	102	155	25	22			
132010	2	75-220	5.2	260	180	360	74	6	215	102	155	25	22			
132013	3	80-320	10	354	490	490	103	8	260	140	225	45	24			
132015	5	80-320	11.1	354	490	490	110	10	260	140	225	45	28			
132020	10	90-320	20	365	505	505	120	12	280	170	235	50	40			

Push Trolley

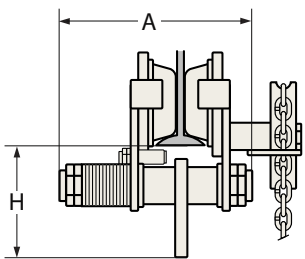
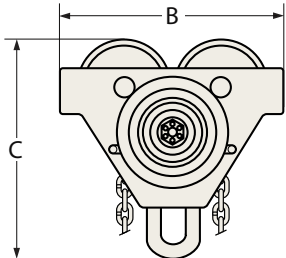
Austlift Plain Trolley is moved by pushing the load lifted by the trolley, running along a flange of a monorail. A main shaft with spacers you can adjust the width of UB/UC beam. They are widely used in Factories, Mines, Wharves, Docks, Warehouses and Engineering Workshops for installation of equipment in places where no power supply is available.

- High quality sealed ball bearings.
- Identification tag with serial number
- Proof tested to 2 x WLL with certificate.
- Fitted with anti-drop plates for safety
- Low headroom by design.
- Complies to AS1418.2.



CODE	WLL	BEAM SIZE	MIN. RADIUS OF CURVE	Wt. kg	DIMENSIONS			
					A	B	C	H
	ton	mm	mm		mm			
131005	0.5	64-140	0.8	5.5	228	196	190	108
131010	1	64-203	0.9	8.9	300	236	211	115
131015	2	76-210	1.0	10.7	318	273	236	130
131020	3	100-305	1.2	24.3	420	320	295	164
131025	5	100-305	1.3	36.3	444	366	334	177
131030	10	125-305	2.0	83.3	468	389	460	237

Geared Trolley



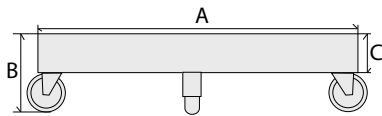
The Austlift Geared Trolley is hand-operated by pulling the hand-chain, running on the bottom flange of monorail. With a main shaft with spacers you can adjust the width of beam. They are widely used in Factories, Mines, Wharves, Docks, Warehouses and Engineering Workshops for installation of equipment and conveyance of goods. They are especially suitable for maintenance and repairing of equipment in places where no power supply is available.

- Standard hand chain is 3 metres however longer chain lengths are available.
- High quality sealed ball bearings.
- Identification tag with serial number
- Proof tested to 2 x WLL with certificate.
- Fitted with anti-drop plates for safety
- Low headroom by design.
- Complies to AS1418.2.

CODE	WLL	BEAM SIZE	PULLING FORCE*	Wt.	DIMENSIONS			
					A	B	C	H
	ton	mm	mm	kg	mm			
131505	1	64-203	50N	14	287	236	211	115
131510	1.5-2	76-210	90N	16	305	273	236	130
131515	3	100-305	95N	24	420	320	295	164
131520	5	100-305	140N	36	426	366	334	177
131530	10	125-305	240N	90	450	389	460	237

*Pulling force is measured when the trolley is in full load.

Drum Trolley



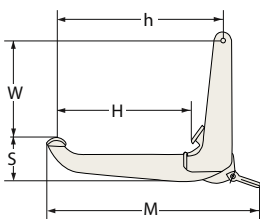
Austlift Drum Trolley are specially designed to carry 210 litre (55 gallon) drums. Easy to use for fast repositioning of drums.

- Work load limit 500kg.
- Manufactured from hi-tensile steel.



CODE	WLL	Wt.	DIMENSIONS		
			A	B	C
	KG	kg	mm	mm	mm
144005	500	5	600	170	50

Drum Lifter

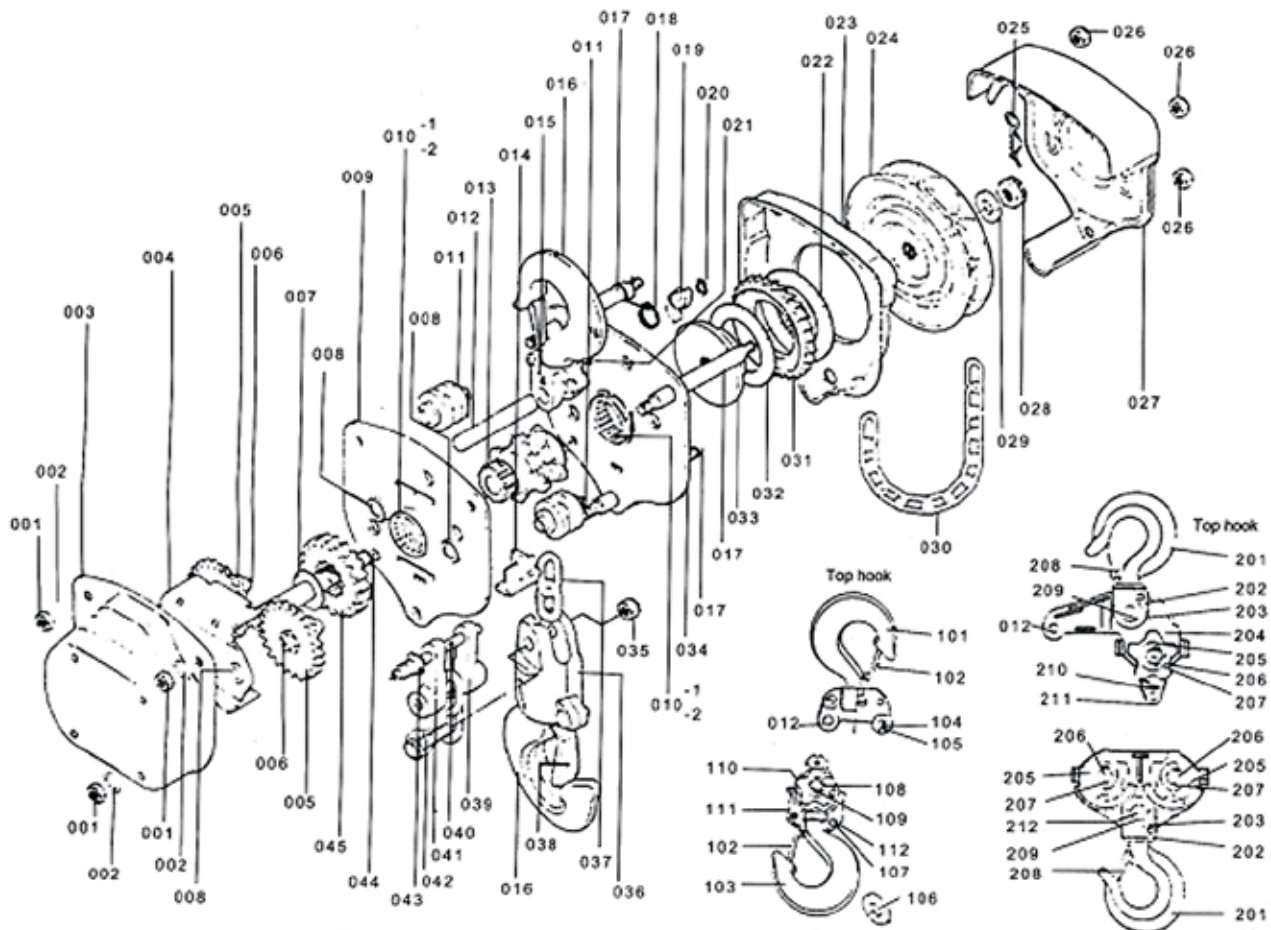


Austlift Drum Lifters are specially designed to lift 210 litre (55 gallon) drums vertically with or without lids. Easy to use for fast lifting and repositioning of drums.

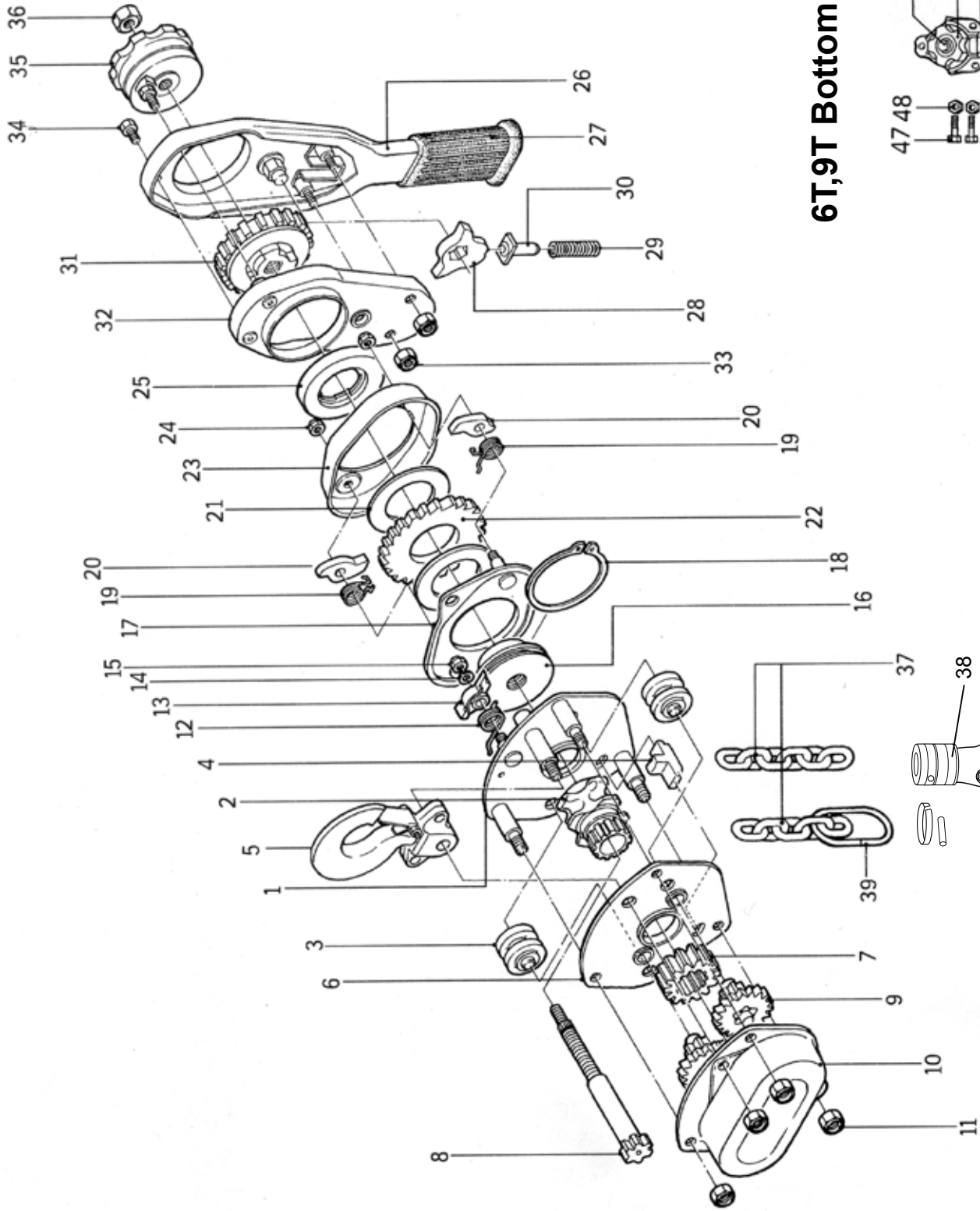
- Work load limit 600kg.
- Manufactured from hi-tensile steel with a safety factor of 5 to 1.
- Conforms to AS 4991, Test Certificates available.

CODE	OPENING	WLL	Wt.	DIMENSIONS				
				H	h	M	S	W
	mm	tonne	kg	mm	mm	mm	mm	mm
144000	0-30	0.6	6.5	350	420	570	105	260
144001*	0-30	0.6	7.8	350	420	570	105	260

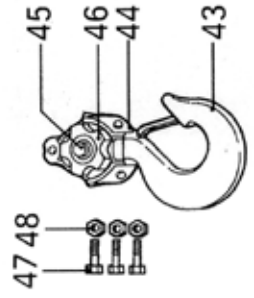
* Assembled with G80-10mm Master Link and 8mm Chain Connector for forklift.



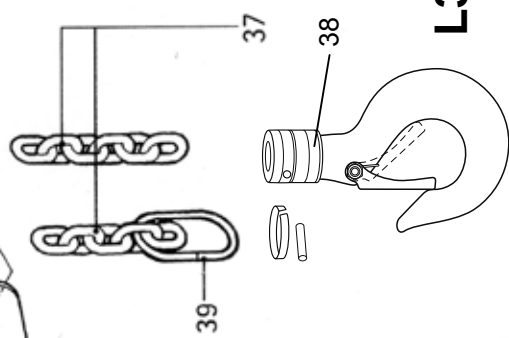
KEY	PART NAME	QUANTITY	KEY	PART NAME	QUANTITY	KEY	PART NAME	QUANTITY
001	Nut	3	025	Cotter Pin	1	104	Top Suspension Pin	1
002	Spring washer	3	026	Nut	3	105	Screw Washer	1
003	Gear Cover	1	027	Wheel Cover	1	106	Hand Wheel Washer(3T)	2
004	Support Plate	1	028	Pinion Nut	1	107	Screw(5T)	3
005	2st Gear	2	029	Hang Wheel Washer	1	107	Screw Washer(3T)	2
006	3rd Gear	2	030	Hand Chain	1	107	Screw Washer(3T)	2
007	Pinion Washer	1	031	Ratchet Gear	1	108	Shaft	1
008	Gear Bushing	4	032	Brake Disk B	1	109	Needle(3T, 5T)	24,29
009	Side Plate(2)	1	033	Break Seat	1	110	Idle Sheave	1
010-1	Bearing Race	2	034	Side Plate(1)	1	111	Bottom Hook Frame	2
011	Load Chain Guide	2	035	Screw Washer	1	112	Screw(5T)	3
021	Hook Pin	1	036	Bottom Hook Hold	1	112	Screw(3T)	2
013	Load Sheave	1	037	Load Chain	1	201	Hook	2
014	Chain Stripper	1	038	Safety Latch	1	202	Steel Balls	26
015	Top Hook Hold	1	039	End Anchor A	1	203	Hook Hold Screw	2
016	Hook	2	040	End Spring	1	204	Beam	1
017	Stay Bolt	3	041	End Anchor B	1	205	Sheave	3
018	Spring	1	042	Chain Pin	1	206	Needle	75
019	Pawl	1	043	End Spring	1	207	Shaft	3
020	Snap Ring	1	044	Pinion Shaft	1	208	Safety Latch	2



6T,9T Bottom Hooks



L3 Lever Block Parts Diagram



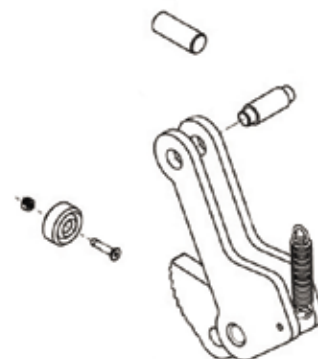
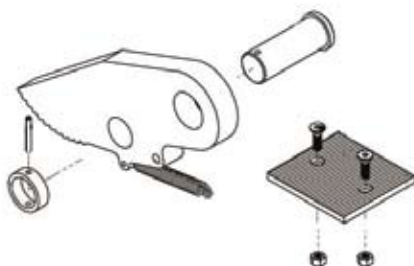
KEY	PART NAME	QUANTITY	KEY	PART NAME	QUANTITY
1	Side Plate1	1	20	Brake pawl	2
2	Load sheave	1	21	Brake disc	2
3	Load chain guide	2	22	Ratchet gear	1
4	Chain stripper	1	23	Brake cover	1
5	Top hook set	1	24	U-nut for B.C.	2
6	Side plate 2	1	25	Brake ring	1
7	1st gear	1	26	Lever body	1
8	Pinion shaft	1	27	Grip	1
9	2nd gear, 3rd gear	2	28	Change pawl	1
10	Gear cover set	1	29	Pushing up spring	1
11	Nut for gear cover	4	30	Pushing up pin	1
12	Retaining spring	1	31	Change gear	1
13	Retaining pawl	1	32	Lever cover	1
14	Washer for pawl	1	33	U-nut for L.C.	2
15	U-nut for pawl	1	34	Bolt for L.C.	2
16	Hub	1	35	Grip ring	1
17	Retaining plate set	1	36	Pinion nut	1
18	Snap link for hub	1	37	Loading chain	1
19	Brake spring	2	38	Bottom hook set	1
6T, 9Ton Bottom Hook Parts					
43	Hook	1	46	Idle sheave	1
44	Frame	2	47	Bolt	3

Plate Clamps Repair Kits

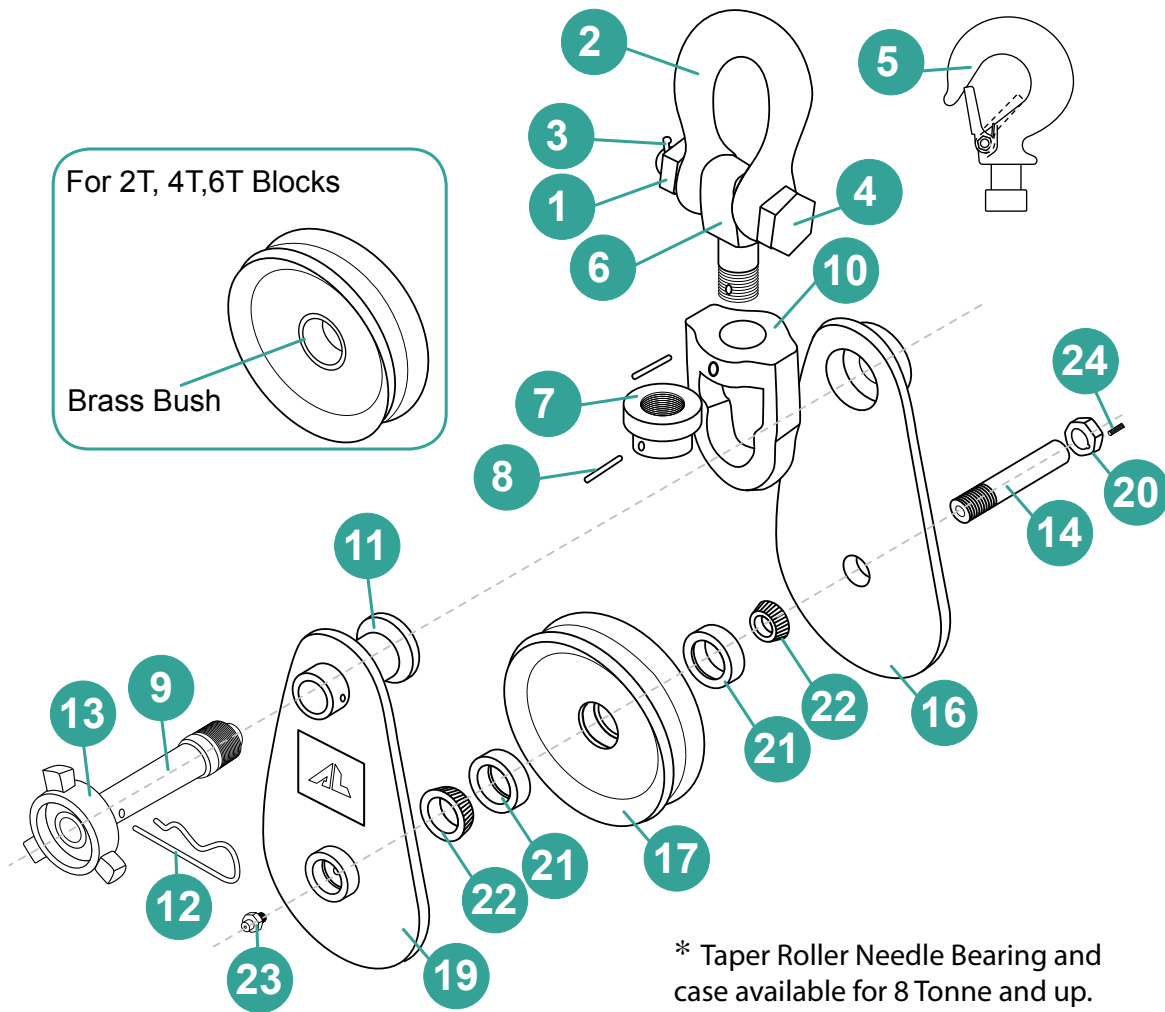
WLL	Horizontal Clamp	Universal Clamp
0.75T	032075SP	031075SP
1T	032100SP	-
1.5T	032150SP	031150SP
2T	032200SP	031200SP
3T	032300SP	031300SP
5T	032500SP	031500SP

Horizontal Clamp Full Repair Kit

Universal Clamp Full Repair Kit



Snatch Block Sb01 Spare Parts



KEY	PART NAME	QUANTITY	KEY	PART NAME	QUANTITY
1	Nut	1	13	Handle Sheave	1
2	Shackle	1	14	Middle Axle	1
3	Split Pin	1	15	Plate Nut	1
4	Shackle pin	1	16	Lift Side Plate	1
5	Hook	1	17	Sheave	1
6	Round Eye	1	18	Roller Bearing	1
7	Hook (eye) Nut	1	19	Right Side Plate	1
8	Spring Pin	1	20	Middle Axle Nut	1
9	Lift Pin	1	21	Outer Bearing Case*	2
10	Swing Eye	1	22	Taper Roller Needle Bearing*	2
11	Lift Pin Bushing	1	23	Lubrication sheave pin	1
12	Safety Pin	1	24	Grub Screw	1