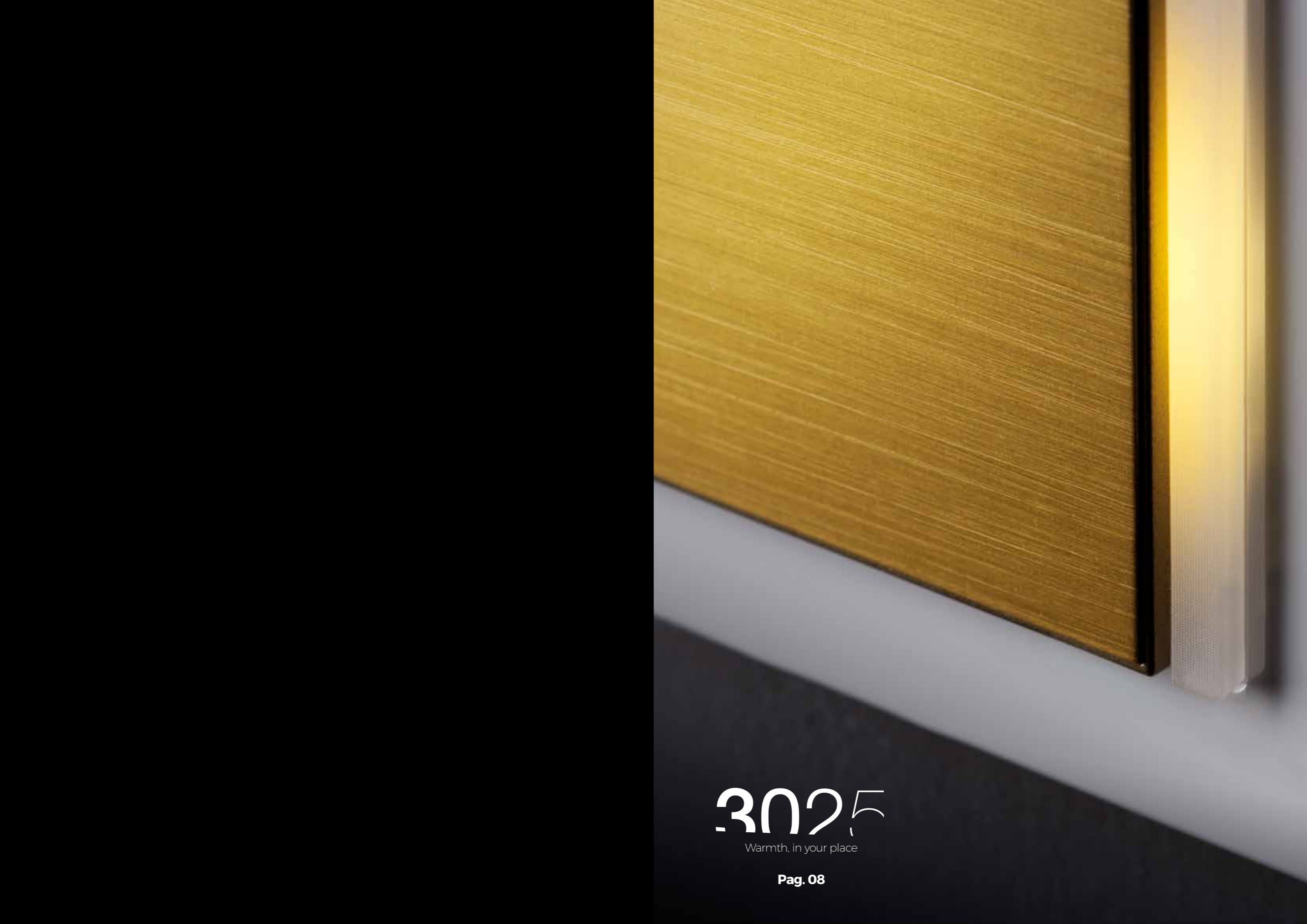




 eelectron[®]

Building & Home Evolution





3025
Warmth, in your place



eelecta

You, in an homy and environmental world

Pag. 18



GlassPad

Capacitive Switches & Touch Panel with glass frames

Pag. 38

eelectron

Synchronicity

Synchronise events - Synchronise colours

Pag. 50

KNX

Actuators

Sensors, Interfaces, System Components, HVAC

Pag. 64



Application

3025

eelecta®

GlassPad

Synchronicity

KNX® Actuators

RESIDENTIAL

R

HOTEL

H

BUILDING

B



Eelectron is an Italian company with a focus on designing and manufacturing electronic devices dedicated to building and home evolution and closely related software tools.

As of year 2005, Eelectron applies to KNX Association, fulfilling his requirements with the main goal of giving a contribution to the diffusion of the world's only open Standard for home and building automation.

Eelectron philosophy of comprehensive aesthetic design and engagement in developing highly innovative devices, matched with KNX interoperability and compliance with international requirements, has engendered Eelectron's distinct reputation.

Today Eelectron is leading the market by following his roots and including new technologies.

Eelectron, the tradition of pioneering .



The EIB / KNX technology standard is now the most widely used in the field of control for buildings with service and residential uses, covering more than 10,000 devices produced by some 130 leading manufacturers in electronics / devices, and more than 12 million nodes installed worldwide.

KNX is approved by:

- European Standard (CENELEC EN 50090, CEN EN CEN 13321-1 and EN 1332-2 "KNXnet / IP")
- International Standard (ISO / IEC 14543-3)
- Chinese Standard (GB / Z 20965)
- U.S. Standard (ANSI / ASHRAE 135)

For more information see the Konnex website at: www.konnex.org



Eelectron SpA is a Training Center certificated by KNX Association.
For more informations concerning our courses, check our site: www.eelectron.com

Strong Points

- KNX Developer since **15 years**.
- R&D, Design and manufacturing **fully made in Italy**.
- High quality rate.
- Global partners in more than **75 Countries**.
- Over **25,000** hotel rooms running, prestigious villas, large complexes and bulding equipped with our products worldwide
- Targeting large scale residential and **complex application**
- Ready for customization on large installations.
- Branch offices in **Paris, Dubai, Beijing, Hong Kong**

3025

Warmth, in your place

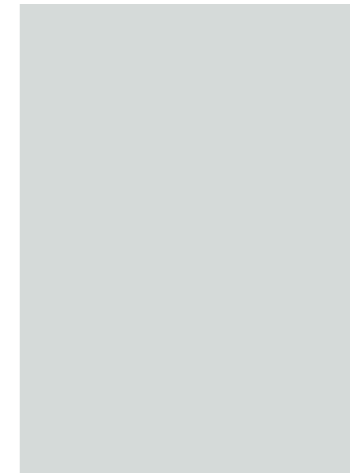


55x55, 4 Controls, 5 Materials,
Thermostat





3025: lifestyle concentrated in 55x55 mm.
Materials, functionalities, finishing are essential values for your environment project.



Clear signalling
Easy displays of status (comfort, economy...), levels (dimming, temperature...), scenarios through settable LED bar with color and intensity variation.

Customization
Through icons, material, essences.

Finishing
Woods, brushed aluminium, plastic, glass, corian.



Temperature setting
With an integrated thermostat detecting and regulating a desired temperature.

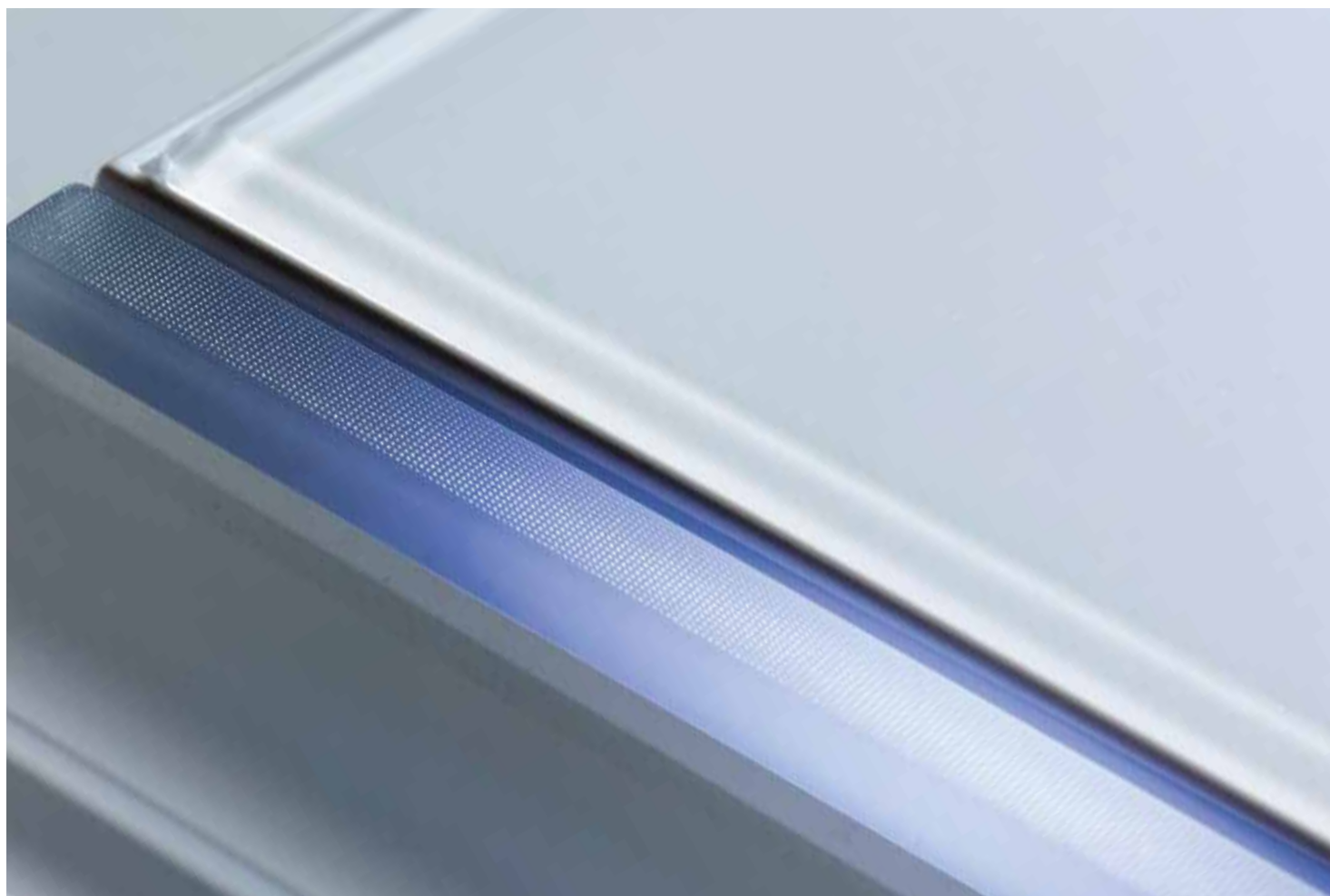


Hidden functions
To be activated with a long pressure lenght.

Programmed setting
Scenarios, and power socket control.

Centralized management of loads
Shutter, irrigation, gates, external drives.

Lighting control
Dimming, lighting sequences, management of scenarios.



Thermostat logic

Heating and cooling management.

4 Channels KNX Switch

with direct bus connection.



LED RGB Bar

To display status and levels through full or dimmed colors.
Useful to display:

- Alarms
- Status
- Feedback

Installation

Suitable in 2 module boxes and fits in 55mm systems

Customization

Through icons on different materials



55x55 KNX Switch

4 Channels + Thermostat

SB40AxxKNX is a KNX tactile 4 channels push button which can be configured to manage on/off commands, dimming, shutters and venetians control, scene recall and control, sequences of 3 objects, etc.. Device includes a 2 stage Room Temperature Controller with integrated PI to control heating and cooling equipments, valves, 2 and 4 pipes fan coils, etc.. Device has a rear connector (2 poles) configurable as digital or analog input. It's possible to connect a NTC temperature probe (eelectron codes TS01A01ACC or TS01B01ACC - not included) to have a direct temperature measurement. SB40AxxKNX has a RGB led bar on the front side in order to visualize feedbacks or other values available over the KNX bus. SB40AxxKNX is intended to be used in british box, german box or italian 2 modules box. Device is equipped with KNX communication interface.

Technical Features

Dimension

- Weight 50g ca. : (H x W x D) : 55 x 55 x 37 mm
- Peso 50 g

Supply

- From KNX bus 21..31V DC SELV
- Current Consumption EIB/KNX <10mA

Mounting

- British box, german box or italian 2 modules box

Connection

- Rear input in digital mode / analog input for temperature probe

Order Codes

SB40A01KNX-PLCR

Knx switch 4 channels + Thermostat
55x55mm - Chromo - Plastic

SB40A11KNX-PLBL

Knx switch 4 channels + Thermostat
55x55mm - Black - Plastic

SB40A21KNX-PLWH

Knx switch 4 channels + Thermostat
55x55mm - White - Plastic

SB40A21KNX-GL10

Knx switch 4 channels + Thermostat
55x55mm - White + White glass

SB40A11KNX-GL15

Knx switch 4 channels + Thermostat
55x55mm - Black + Black glass

SB40A01KNX-MT60

Knx switch 4 channels + Thermostat
55x55mm - Chromo + Alluminium

SB40A24KNX-MT61

Knx switch 4 channels + Thermostat
55x55mm - Gold + Gold alluminium

SB40A21KNX-WD50

Knx switch 4 channels + Thermostat
55x55mm - White + Wood oak

SB40A11KNX-WD50

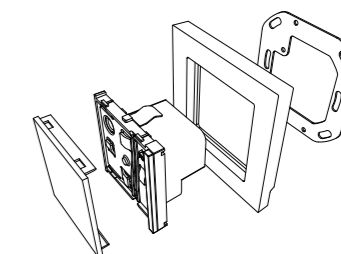
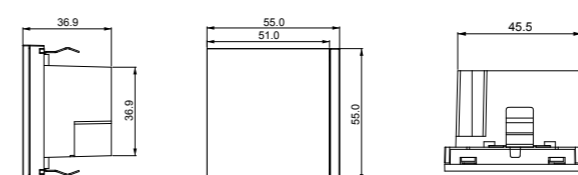
Knx switch 4 channels + Thermostat
55x55mm - Black + Wood oak

SB40A11KNX-ST40

Knx switch 4 channels + Thermostat
55x55mm - Black + Stone

(order codes are referred only to switches without frames)

3025





Touch Panel 3,5"

The touch panel: powerful control in a distinctive shape. With a coloured display, dimming, status, values, lighting, shutters and timers are controlled and password protected when needed. Using the embedded temperature sensor, chrono or fancoil controlling functions are managed. DMX coloured Led or lights are controlled with the optional DMX interface, and load control with automatic cut off of prioritised functions is performed with the available power meter. Based on Linux® OS but Ets programmed, the 3,5" touch panel has Led indicator for status display and an audio signal for alarm functions and is available in three colours.

Technical Features

Dimension:

· Weight 300g : (H x W x D) : 113 x 113 x 48mm

Mounting:

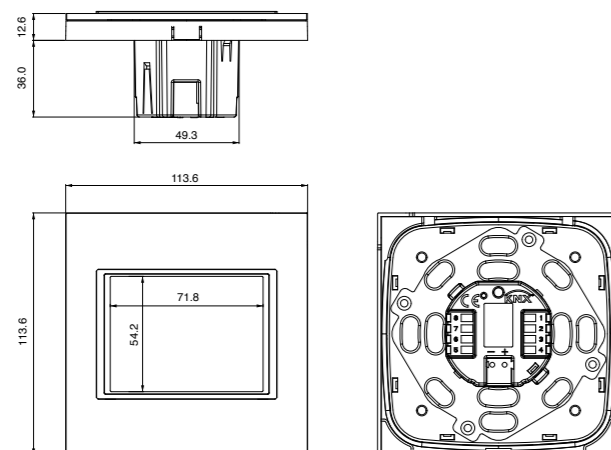
· Inwall box : 2 or 3 modules italian, german box, swiss box

Connections and terminals:

· Wago red/grey to connect to EIB/KNX bus
· Wago white/yellow to connect to aux supply

Power Supply:

· Auxiliary supply: 9 ... 32V DC
· Current Consumption: 55mA @24V DC
· From KNX bus 21.31V DC SELV
· Current consumption from KNX <5mA



Order Codes

VS00G10KNX

Touch Panel KNX 3,5 SQUARE
White Glass

VS00G11KNX

Touch Panel KNX 3,5 SQUARE
Ice White Glass

VS00G30KNX

Touch Panel KNX 3,5 SQUARE
Black Glass

VS00P10KNX

Touch Panel KNX 3,5 SQUARE
Plexi Glass

VS00P20KNX

Touch Panel KNX 3,5 SQUARE
Plexi Chromo

VS00P15KNX

Touch Panel KNX 3,5 SQUARE
Plexi Black

VS00W50KNX

Touch panel 3,5" SQUARE
Oak White

VS00W51KNX

Touch panel 3,5" SQUARE
Oak Black

VS00W60KNX

Touch Panel 3,5" SQUARE
Metal

VS00M61KNX

Touch Panel 3,5" SQUARE
Gold

VS00S40KNX

Touch Panel 3,5" SQUARE
Stone

Plastic



Chromo
SB40A01KNX-PLCR



Black
SB40A11KNX-PLBL



White
SB40A21KNX-PLWH

Glass



White
SB40A21KNX-GL10



Black
SB40A11KNX-GL15

Metal



Aluminium
SB40A01KNX-MT60



Gold
SB40A24KNX-MT61

Wood



White/Oak
SB40A21KNX-WD50



Black/Oak
SB40A11KNX-WD50

Stone



Slate
SB40A11KNX-ST40

Plexiglass



White
VS00P10KNX



Chromo
VS00P20KNX



Black
VS00P30KNX

Glass



White
VS00G10KNX



Ice White
VS00G11KNX



Black
VS00G30KNX

Metal



Aluminium
VS00M60KNX



Gold
VS00M61KNX

Wood



White/Oak
VS00W50KNX



Black/Oak
VS00W51KNX

Stone



Slate
VS00S40KNX

3025

CUSTOM
SHOP

We have selected building methods, processes, supply chain management with the unique goal of offering to our clients **total flexibility while choosing for 3025 finishing.**

Standard code products, the most requested ones, come along with **infinite options** sharing the same quality level and production process.

Stones, real woods, nuances, essences, materials, customization possibilities on the product and on its icons, are merging into a new structure, at your disposal.

Ask to our **specialists** to be followed in the **selection, sampling and delivery process.**

Enquire at custom@eelectron.com

**BUILDING
& HOME
EVOLUTION**
Let us follow your ambitions...

eelecta®

You, in an homy and environmental world



eelecta is a product range dedicated to democratic, smart and creative design. To the interaction between users and lighting control, energy saving, temperature control, entertainment.

To an efficient use of space. To cost effective solutions for an eco-friendly environment. To private homes, buildings, hospitality.

Design: **Marco Fossati**



HOMEPAD - MINIPAD



Stylish yourself

Eclectic, Creative... in line with your style.



Differentiated temperature setting

With an integrated thermostat, detecting and regulating a desired temperature

Centralized management of valves and loads

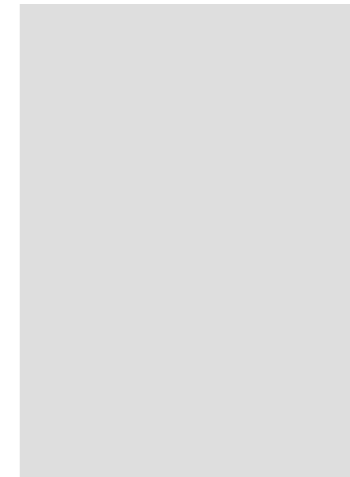
Shutters, irrigation, external drives, gates

"Hidden" Functions

To be activated with a long pressure lenght on the Pad

Event based or occupancy based automation

A scenario or a given automation can be launched from an external device connected to the HomePad, as for example a traditional occupancy sensor



Lighting control

Dimming, lighting sequences, management of scenarios using led technology

Audio/Video source selection

Channel, station, local volume and track selection

Programmed setting of electrical functions

Scenarios - Absence, party, relax... Socket power control



Eelecta is a **design and architectural element** shaped to leave a coloured and **graphical sign in the space.**

How it works

1st function: every pad drives one or two functions

2nd function: diagonal pressure

3rd and 4th functions: with a long pressure, another function is activated

4 frontal leds associated to a single function



HomePad and MiniPad are available with 4 or 8 channels (functions), with thermostat, 4 inputs interface options and circular functions.



How to wire



Lateral programmable led for night mode or night light

Integrated **thermostat**

Until 4 inputs devices (standard switches, presence sensor, etc.) can be connected to the HomePad to activate smart functions

Direct **KNX bus connection**

HOMEPAD - MINIPAD

Linear Cover



Wave Cover



HomePad



Order codes are referred to colour palette and has to be completed with functional codes.
(es. PB40B3DKNX-BL)

MiniPad



Order codes are referred to colour palette and has to be completed with functional codes.
(es. MB40B3DKNX-BL)



HomePad & MiniPad

Eelecta® HomePad and MiniPad pushbutton range of KNX devices is divided in 5 different models based on the number of switch, input and temperature sensors provided with the device. Product has 4 (8) push buttons which can be configured to manage lights, dimmers, shutters, etc; and 4 inputs (where present) on the backside to interface free potential contacts (for example sensors, traditional buttons, etc.). It has 5 white led in the front side, each led freely configurable by ETS and 2 versions have a temperature sensor included which can be configured as a room thermostat.

Technical features

- Dimensions:**
HomePad
 • (H. x W.) 110 x 110 mm
MiniPad
 • (H. x W.) 90 x 90 mm

- Supply**
- Through the wire EIB / KNX
 - Voltage 21 .. 30V DC
 - Current consumption EIB / KNX <10mA
 Not present for the version conventional (PB40A)

- Input Features**
- Number of Pads: 4 or 8
 4 for dry contacts (PB40C/MB40C)
 - Maximum cable length: 10 mt = twisted (PB40C/MB40C)

- Output Features**
- 5 white LEDs
- Connections**
- EIB / KNX bus connecting terminal 2 of 0.8 mm²

Order code

HomePad

- PB40AxxCON**
4 CHANNELS CONVENTIONAL
- PB40BxxKNX**
4 CHANNELS KNX
- PB40CxxKNX**
4 CHANNELS KNX + 4 INPUTS + TEMPERATURE SENSOR
- PB80AxxKNX**
8 CHANNELS KNX + TEMPERATURE SENSOR
- PB80CxxKNX -**
8 CHANNELS KNX + TEMPERATURE SENSOR + CIRCULAR FUNCTIONS

MiniPad

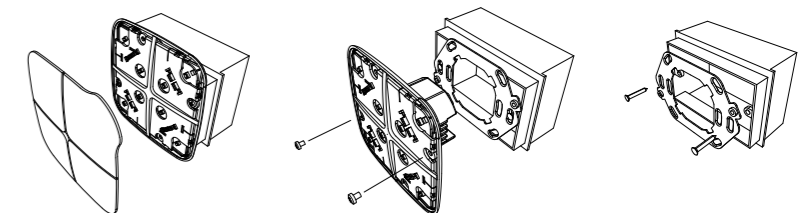
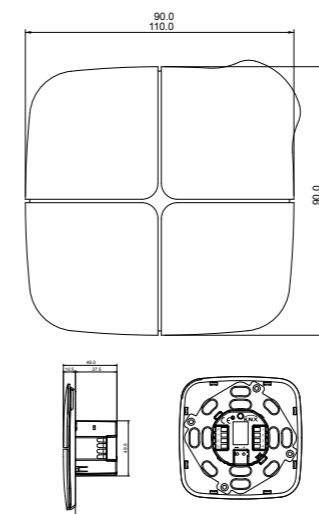
- MB40BxxKNX**
4 CHANNELS KNX
- MB40CxxKNX**
4 CHANNELS KNX + 4 INPUTS + TEMPERATURE SENSOR
- MB80AxxKNX**
8 CHANNELS KNX + TEMPERATURE SENSOR
- MB80CxxKNX -**
8 CHANNELS KNX + TEMPERATURE SENSOR + CIRCULAR FUNCTIONS

HomePad

Codes	Description
PB40AxxCON	• HomePad 4 CH.
PB40BxxKNX	• HomePad KNX 4 CH.
PB40CxxKNX	• HomePad KNX 4 CH. 4 IN - TS*
PB80AxxKNX	• HomePad KNX 8 CH. - TS*
PB80CxxKNX	• HomePad KNX 8 CH. - TS* - Circular functions

MiniPad

Codes	Description
MB40BxxKNX	• MiniPad KNX 4 CH.
MB40CxxKNX	• MiniPad KNX 4 CH. 4 IN - TS*
MB80AxxKNX	• MiniPad KNX 8 CH. - TS*
MB80CxxKNX	• MiniPad KNX 8 CH. - TS* - Circular functions





KNX MINISWITCH
Suitable for eelecta and GlassPad frames

MINISWITCH



MiniSwitch KNX

1 - 2 - 4 Channels

Miniswitch KNX is suitable with Eelecta and GlassPad 's range. The range is composed by 3 models that include 1,2 or 4 channels switches with a dimension of 45x45 mm (frame not included). Product has 1, 2 or 4 frontal led two coloured signalling (one for each channel) that can be programmed through ETS. . The switches are available in 2 different colours (white or anthracite) and the plates in 3 colours (white, silver e black).

Technical features

Dimensions:

- (H. x W.) 45 x 45 mm (without frames)

Supply

- Through the wire EIB/KNX
- Tension 21..30V DC
- Current Consumption <10mA

Input Features

1-2-4

Output Features

1-2-4 white led

Connections

- EIB/KNX bus connecting terminal 2 of 0.8 mmo

Order code

WB10A30KNX
MiniSwitch 1 ch. KNX - Anthracite

WB10A10KNX
MiniSwitch 1 ch. KNX - White

WB20A30KNX
MiniSwitch 2 ch. KNX - Anthracite

WB20A10KNX
MiniSwitch 2 ch. KNX - White

WB40A30KNX
MiniSwitch 4 ch. KNX - Anthracite

WB40A10KNX
MiniSwitch 4 ch. KNX - White

Order codes are referred only to switches without frames.



1 - 2 - 4 channels
1- 2 - 4 LED two coloured freely configurable

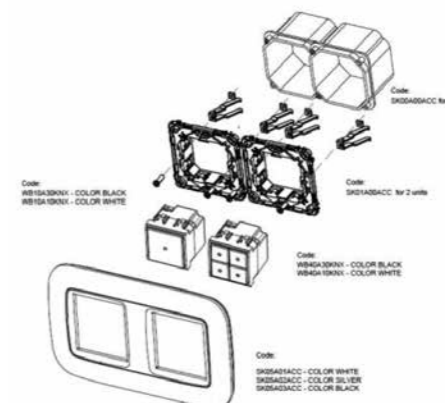
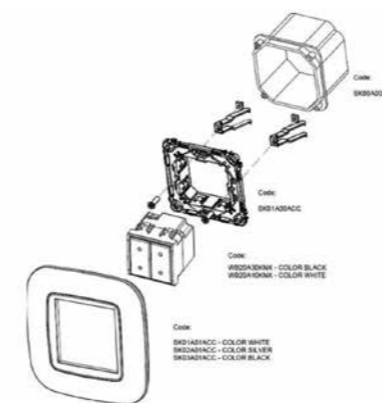


Sockets and frames with different finishes, available for 2 module inwall box.



MINISWITCH with glass frame*

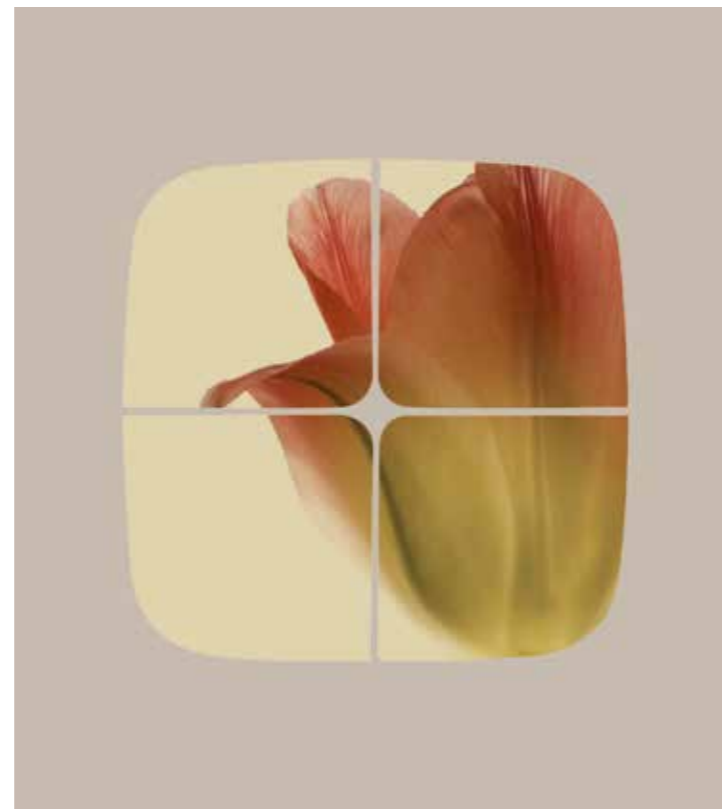
* GlassPad range pag. 43



CUSTOMIZATION

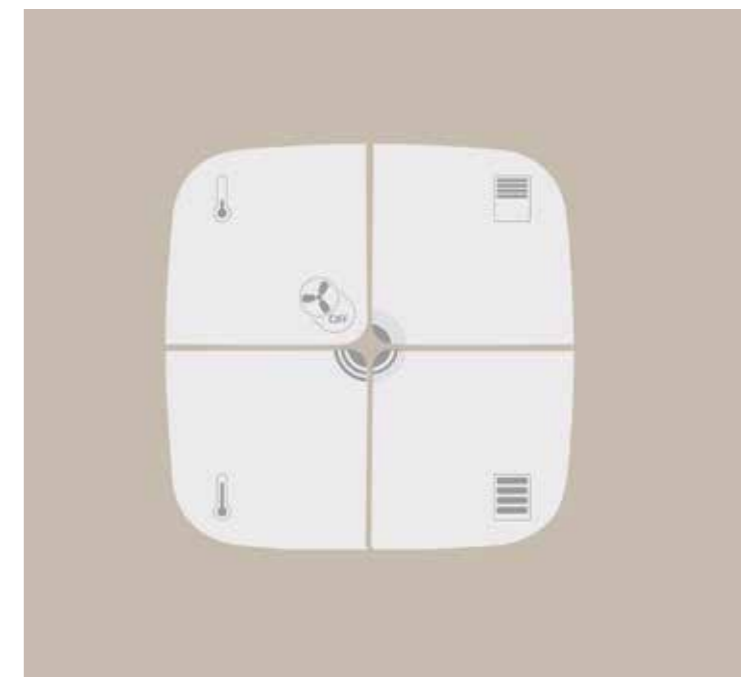
CUSTOMIZED
ICONS

- Design
- Colours and customized graphics
- Clear and easy fuction signalling throughout icons and colours



CUSTOMIZED
ARTWORK

Through the site www.eelecta.com it is possible to **personalize your HomePads and MiniPads** with your style using photos, graphics or icons at your choice.



TOUCHPANEL 3,5"



In a small space, in a distinctive shape, we have focused all our attention. Far from outward appearances, we have privileged the essence of an advanced interface, as expected by users

**Personalized:
Screen savers with
photographs, icons, skins,
colour and menu.**



Multimodular installation:
Round or squared 2 modules box, rectangular
3 modules box, horizontal or vertical.



Tarif and load control

With a clever management of energy related expenditures, energy saving goes along with control and efficiency.

Temperature control and management local or zone based.

The touch panel has an integrated thermostat, managing 2 or 4 pipes systems, residential systems, air conditioning. Every temperature zone dedected from HomePads is programmed on an hour, day and week base.

Colour selection for RGB/DMX lighting on colour palette.

Coloured light sequences, programmed to show emotional scenarios, design and wellness environments

Scenarios, shutters, lights, external drives, loads management

One only control point to detect, program and manage every home function.

Timers, irrigation, morning clock

Every event is timed: even your morning wake up.

Entertainment

From the touch panel, audio systems and external devices (TV, STEREO, etc.), are managed selecting tracks, volumes, sources, artists.

- Direct KNX bus connection
- 12/30 Volt DC power supply
- Integrated buzzer for alarm signalling
- Frontal led for signalling or night light



Touch Panel 3,5"

The Eelecta touch panel: powerful control in a distinctive shape. With a coloured display, dimming, status, values, lighting, shutters and timers are controlled and password protected when needed. Using the embedded temperature sensor, chrono or fancoil controlling functions are managed. DMX coloured Led or lights are controlled with the optional DMX interface, and load control with automatic cut off of prioritised functions is performed with the available power meter. Based on Linux® OS but Ets programmed, the 3.5" touch panel has Led indicator for status display and an audio signal for alarm functions and is available in three colours.

Order Codes

VS00E10KNX
Touch Panel KNX 3,5 + Thermostat
Ceramic White

VS00E20KNX
Touch Panel KNX 3,5 + Thermostat
Chromo

VS00E30KNX
Touch Panel KNX 3,5 + Thermostat
Black Matte

Technical Features

Dimension:

- Weight 250g : (H x W x D) : 112 x 110 x 48mm

Mounting:

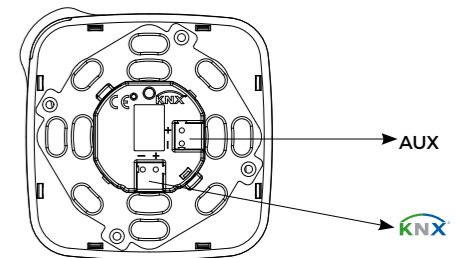
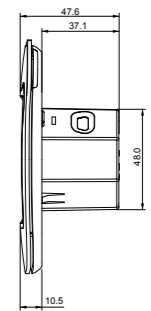
- Inwall box : 2 or 3 modules italian, german box, swiss box

Connections and terminals:

- Wago red/grey to connect to EIB/KNX bus
- Wago white/yellow to connect to aux supply

Power Supply:

- Auxiliary supply: 9 ... 32V DC
- Current Consumption: 55mA @24V DC
- From KNX bus 21.31V DC SELV
- Current consumption from KNX <5mA



- 6 programmable pages with 8 functions
- Settable password protection
- Integrated thermostat
- Supercap battery for clock memory after temporary (24h) black out.

TOUCHPANEL 3,5"



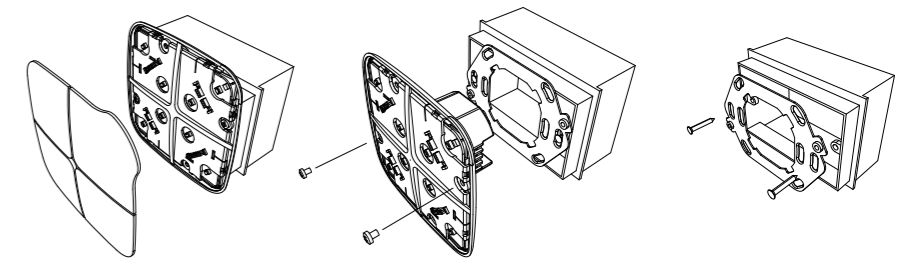
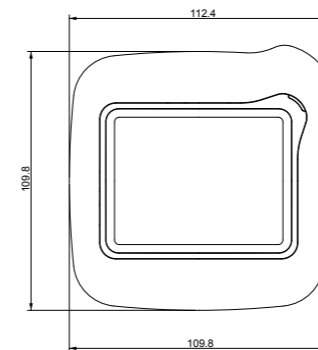
Ceramic white
VS00E10KNX



Black matte
VS00E30KNX



Chromo
VS00E20KNX



Frames
Sockets



SK01A01ACC
Socket plate 2 module -
White



SK02A01ACC
Socket plate 2 module -
Chromo



SK03A01ACC
Socket plate 2 module
Black Matte



SK05A01ACC
Double Socket plate 2
module
White



SK05A02ACC
Double Socket plate 2
module
Chromo



SK05A03ACC
Double Socket plate 2
module
Black Matte



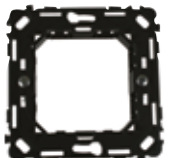
SK04A01ACC
Swiss Socket plate 2 mo-
dule
White



SK04A02ACC
Swiss Socket plate 2 module
Chromo



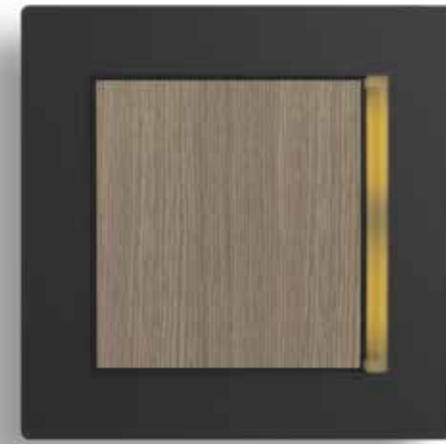
SK04A03ACC
Swiss Socket plate 2 mo-
dule
Black Matte



SK01A00ACC - black
2 module 60mm. frame



EE72X88 - black
EE72X88.B - white
Blank module



3025
Z-WAVE Version

Italian
Standard



EE72X48.D - black
EE72X48.D.B - white
Schuko socket with shutter



EE72X48.I - black
EE72X48.I.B - white
Trivalent schuko socket



EE72X79 - black
EE72X79.B - white
Bivalent sockets with
shutter



EE72X70 - black
EE72X70.B - white
Shuttered sockets

International
Standard



EE72X48.DS - black
EE72X48.DS.B - white
Schuko socket with shutter



EE72X48.FR - black
EE72X48.FR.B - white
French socket with shutter

eelecta
Z-WAVE Version



Special
Equipment



EE72X86 - black
EE72X86.B - white
12V/8Va/buzzer



EE72X85 - black
EE72X85.B - white
230V-50/60hz -12Va/buzzer



EE72X93.220 - black
EE72X93.220.B - white
230V-50/60hz-12Va/bell



EE72X02.1 - black
EE72X02.1.B - white
16A 250V/push button



EE72X06.1 - black
EE72X06.1.B - white
16A 250V
luminous 1way switch

Data, TEL, TV
SAT



EE72X64.4 - black
EE72X64.4.B - white
6p/4c/telephone RJ11
sockets



EE72X64.C5 - black
EE71X64.C5.B - white
8p/8c-cat 5/telephone and
computer sockets



EE72X64.C6 - black
EE72X64.C6.B - white
8p/8c-cat 6/telephone and
computer sockets



EE72X58 - black
EE72X58.B - white
TV sockets - direct



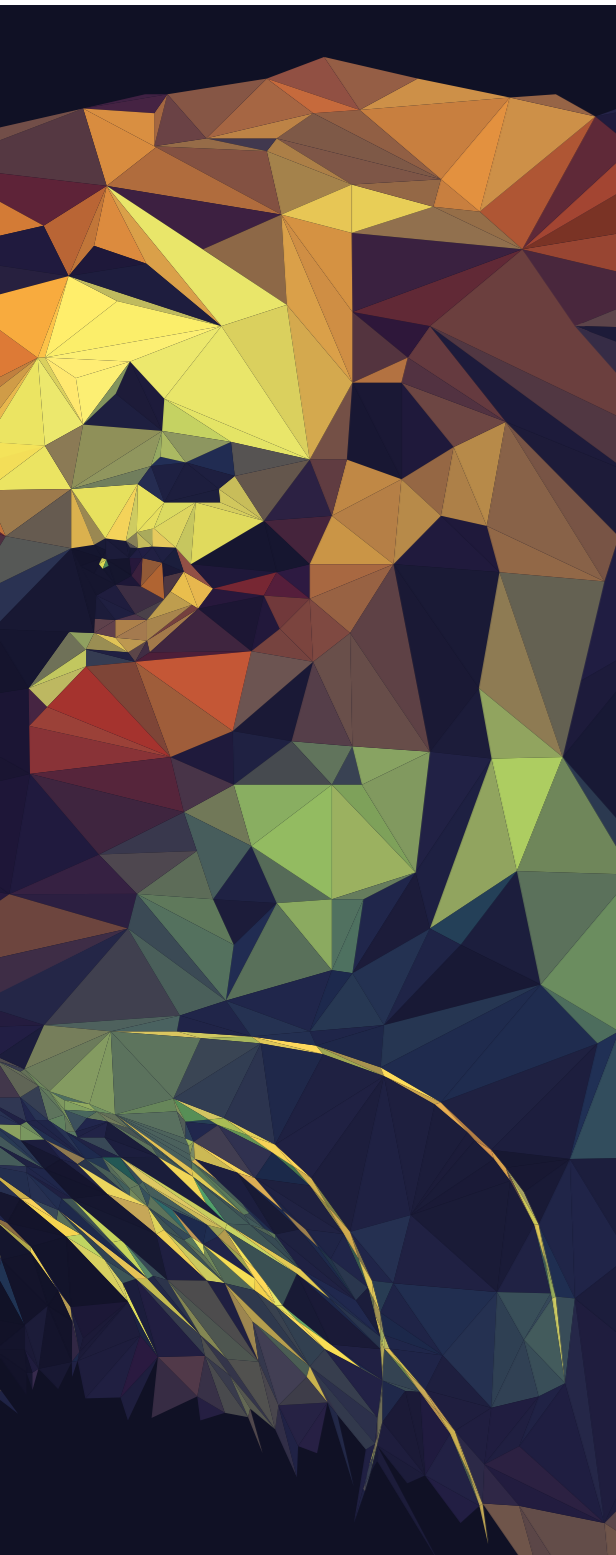
EE72X58.F - black
EE72X58.F.B - white
SAT/TV sockets - direct



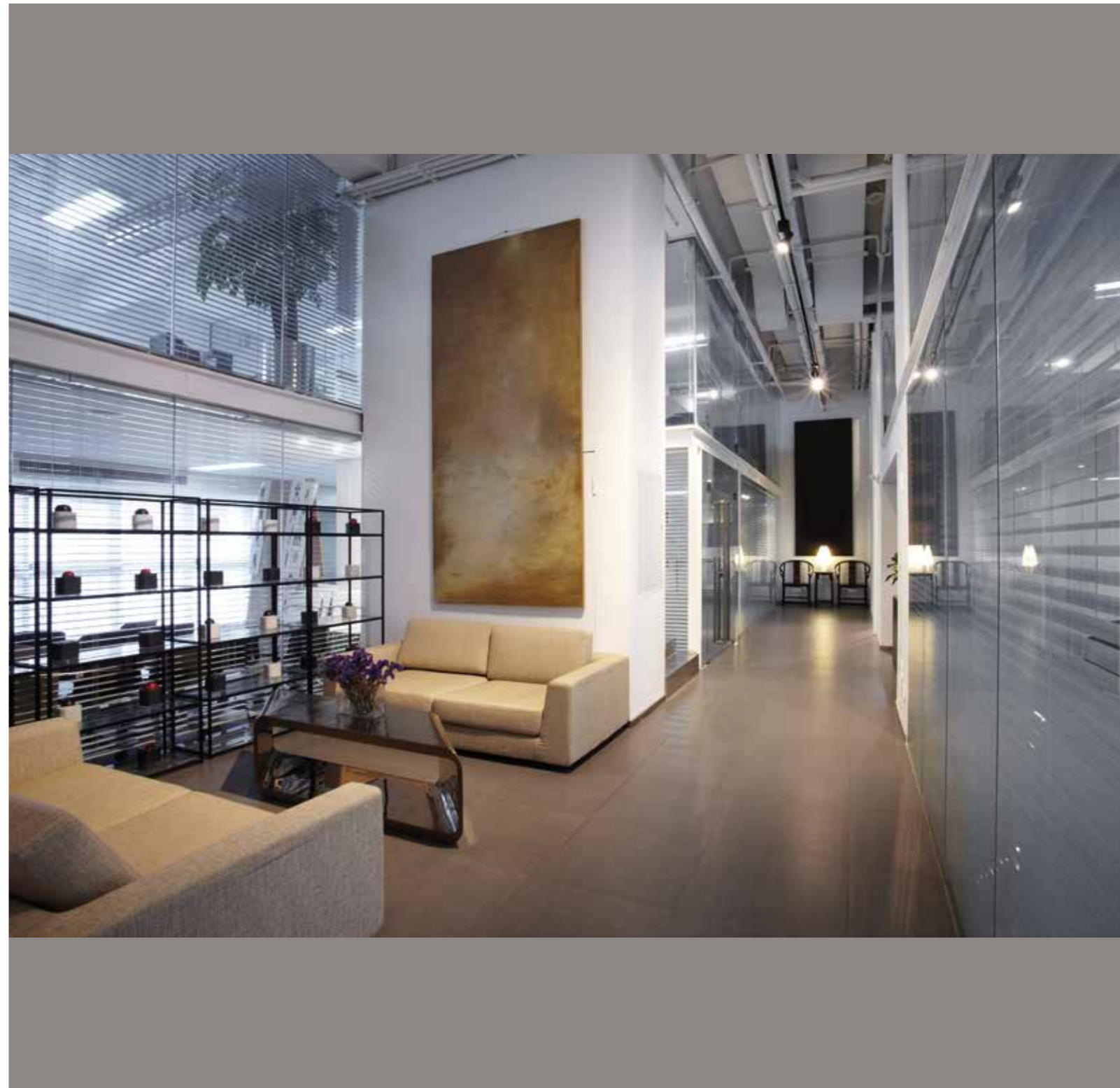
KNX Z-WAVE
Interface
16 channels

GlassPad

Capacitive Switches & Touch Panel with glass frames



Capacitive KNX Switch
3.5 KNX Touch Panel - Glass frame
MiniSwitch 1 - 2 - 4 channels - glass frames



CapacitiveSwitch



Features

The GlassPad is available in 4 models, all in KNX, including:

- 3 channels on 3 modules / horizontal or vertical
- 6 channels on 3 modules / horizontal or vertical
- 4 channels on 4 modules / horizontal or vertical
- 8 channels on 3 modules / horizontal or vertical

The whole range of products manages:

- Lights
- Dimmers
- Shutters/Blinds
- Scenarios
- Audio

Each product features amber led signaling for channel. A blue led light surrounds and the GlassPad as back light.



Simplicity

A very quick, simple and efficient installation is a key feature of GlassPad. The range can be installed in to 3 or 4 modules inwall boxes.

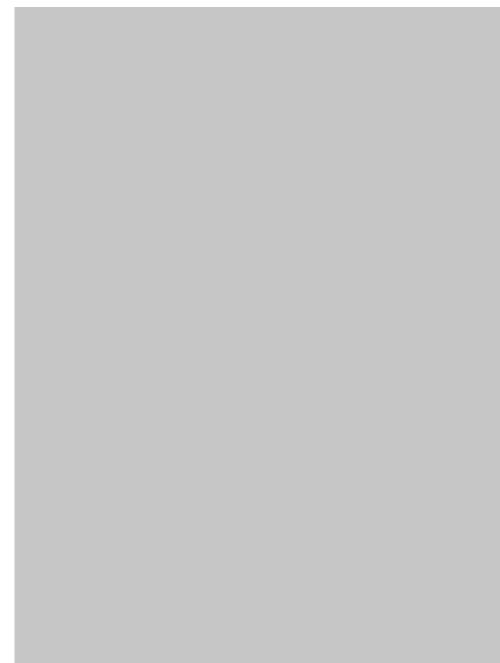


Quality

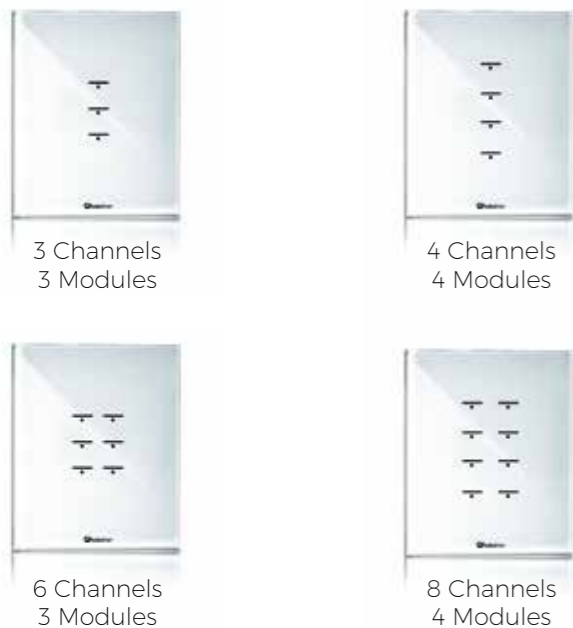
In order to ensure a long lasting product and maximum customer satisfaction, Eelectron only uses premium quality components and materials.

Colours

The range is composed by 2 different colors - white or black - and can be customized using icons, texts or logos.



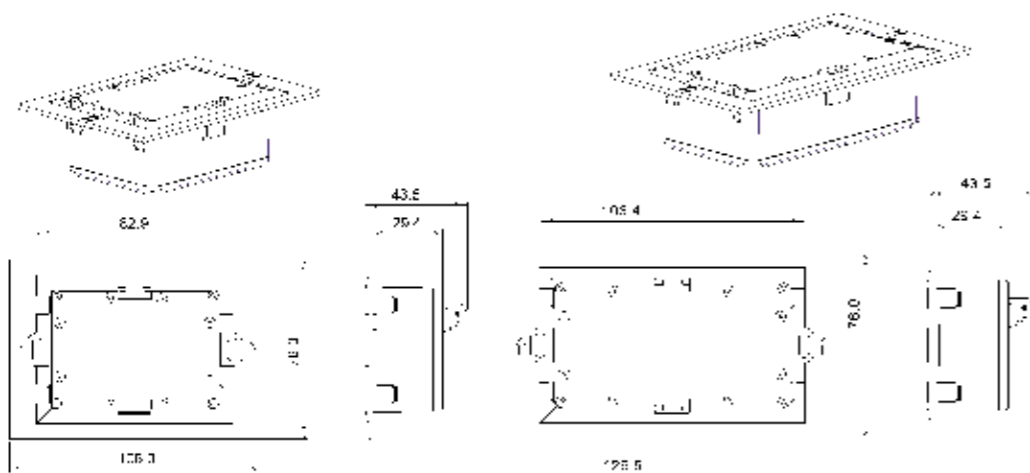
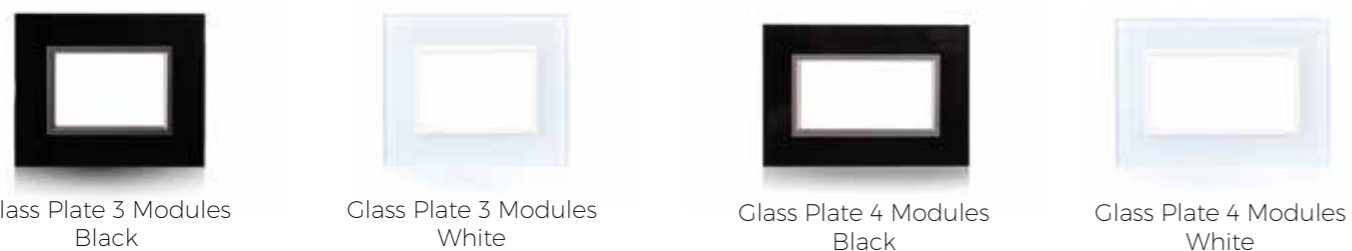
Vertical



Horizontal



Plates



CapacitiveSwitch



GlassPad KNX

3-6 channels (3 modules) / 4 - 8 channels (4 modules)

The GlassPad KNX is available in 2 colours (White and Black). This product include 4 different features: 3 and 6 channels on 3 modules inwall box or 4 and 8 channels on 4 modules inwall box. Every products of the range have led signalling for each channels and can be installed vertically or in horizontal. Pression on the switch can be long or shor and it can manage scenarios or sequences. The customizaiton of glass colour , textes and icons for residential and building field is available on demand. The products if fully programmable with ETS.

Order code

- GP03A03KNX**
Capacitive KNX switch - 3 channels - 3 Modules
- GP06A03KNX**
Capacitive KNX switch - 6 channels - 3 Modules
- GP04A04KNX**
Capacitive KNX switch - 4 channels - 4 Modules
- GP08A04KNX**
Capacitive KNX switch - 8 channels - 4 Modules
- GL03H03ACC-1**
Capacitive glass switch - 3 channels - 3 Modules
Horizontal - white
- GL03H03ACC-3**
Capacitive glass switch - 3 channels - 3 Modules
Horizontal - black
- GL03V03ACC-1**
Capacitive glass switch - 3 channels - 3 Modules -
Vertical - white
- GL03V03ACC-3**
Capacitive glass switch - 3 channels - 3 Modules -
Vertical - black
- GL06H03ACC-1**
Capacitive glass switch - 6 channels - 3 Modules
Horizontal - white
- GL06H03ACC-3**
Capacitive glass switch - 6 channels - 4 Modules
Horizontal - black
- GL06V03ACC-1**
Capacitive glass switch - 6 channels - 3 Modules
Vertical - white
- GL06V03ACC-3**
Capacitive glass switch - 6 channels - 3 Modules
Vertical - Black
- GL04H04ACC-1**
Capacitive glass switch - 4 channels - 4 Modules
Horizontal - white
- GL04H04ACC-3**
Capacitive glass switch - 4 channels - 4 Modules
Horizontal - black

- GL04V04ACC-1**
Capacitive glass switch - 4 channels - 4 Modules
Vertical - white
- GL04V04ACC-3**
Capacitive glass switch - 4 channels - 4 Modules
Vertical - black
- GL08H04ACC-1**
Capacitive glass switch - 8 channels - 4 Modules
Horizontal - white
- GL08H04ACC-3**
Capacitive glass switch - 8 channels - 4 Modules
Horizontal - black
- GL08V04ACC-1**
Capacitive glass switch - 8 channels - 4 Modules
Vertical - white
- GL08V04ACC-3**
Capacitive glass switch - 8 channels - 4 Modules
Vertical - Black
- GT00A03ACC-1**
Glass Plate - 3 Modules - White
- GT00A03ACC-3**
Glass Plate - 3 Modules - Black
- GT00A04ACC-1**
Glass Plate - 4 Modules - White
- GT00A04ACC-3**
Glass Plate - 4 Modules - Black
- GT00X03ACC**
3 Module - Support frame for glass plate
- GT00X04ACC**
4 Module - Support frame for glass plate
- GP00X03ACC**
Flush - Mount adapter box - module 3
- GP00X04ACC**
Flush - Mount adapter box - module 4
- GP00X00ACC**
Glass suction tool

Technical features

- Dimensions**
· (H. x W.)140 x 96 mm or 120 x 96 mm
- Mounting**
· Inwall mounting on squared or round boxes
- Connections**
· EIB/KNX bus connecting terminal 2 of 0.8 mmo

- Supply**
· Through the wire EIB/KNX
· Tension 21..30V DC
· Current Consumption <10mA
- Input Features**
· Inputs: 3,4,6,8
- Output Features**
· Number: 3,4,6,8 white led

TouchPanel 3,5"



Touch Panel 3,5"

The touch panel: powerful control in a distinctive shape. With a coloured display, dimming, status, values, lighting, shutters and timers are controlled and password protected when needed. Using the embedded temperature sensor, chrono or fancoil controlling functions are managed. DMX coloured Led or lights are controlled with the optional DMX interface, and load control with automatic cut off of prioritised functions is performed with the available power meter. Based on Linux® OS but Ets programmed, the 3,5" touch panel has Led indicator for status display and an audio signal for alarm functions and is available in three colours.

Technical Features

Dimension:

- (H x W x D) : 113 x 113 x 48mm
- Weight 300g

Mounting:

- Inwall box : 2 or 3 modules italian, german box, swiss box

Connections and terminals:

- Wago red/grey to connect to EIB/KNX bus
- Wago white/yellow to connect to aux supply

Power Supply:

- Auxiliary supply: 9 ... 32V DC
- Current Consumption: 55mA @24V DC
- From KNX bus 21..31V DC SELV
- Current consumption from KNX <5mA

Order Codes

VS00G10KNX

Touch Panel KNX 3,5 SQUARE
Glass White

VS00G11KNX

Touch Panel KNX 3,5 SQUARE
Glass Ice White

VS00G30KNX

Touch Panel KNX 3,5 SQUARE
Glass Black

VS00P10KNX

Touch Panel KNX 3,5 SQUARE
Plexi White

VS00P20KNX

Touch Panel KNX 3,5 SQUARE
Plexi Chromo

VS00P15KNX

Touch Panel KNX 3,5 SQUARE
Plexi Black



Plexiglass

Glass



White
VS00P10KNX



Chromo
VS00P20KNX



Black
VS00P30KNX



White
VS00G10KNX



Ice White
VS00G11KNX



Black
VS00G30KNX

GlassPad

KNX® Thermostat



Features

- Temperature and fan coil speed status display
- ETS settable control elements for temperature management

Order Codes

GT00A03KNX
KNX Capacitive Thermostat

GT00B03ACC-1
Glass Thermostat White

GT00B03ACC-3
Glass Thermostat Black

MiniSwitch

KNX® MINISWITCH
Suitable for **eelecta** and **GlassPad** frames



MiniSwitch KNX®

1 - 2 - 4 Channels

Miniswitch KNX is suitable with Eelecta and GlassPad 's range. The range is composed by 3 models that include 1,2 or 4 channels switches with a dimension of 45x45 mm (frame not included). Product has 1, 2 or 4 frontal led two coloured signalling (one for each channel) that can be programmed through ETS. . The switches are available in 2 different colours (white or anthracite) and the plates in 3 colours (white, silver e black).

Technical features

Dimensions

• (H. x W.) 45 x 45 mm
(without frames)

Supply

• Through the wire EIB/KNX
• Tension 21..30V DC
• Current Consumption <10mA

Input Features

1-2-4

Output Features

1-2-4 white led

Connections

• EIB/KNX bus connecting terminal 2 of 0.8 mmo

Order code

WB10A30KNX

MiniSwitch 1 ch. KNX - Anthracite

WB10A10KNX

MiniSwitch 1 ch. KNX - White

WB20A30KNX

MiniSwitch 2 ch. KNX - Anthracite

WB20A10KNX

MiniSwitch 2 ch. KNX - White

WB40A30KNX

MiniSwitch 4 ch. KNX - Anthracite

WB40A10KNX

MiniSwitch 4 ch. KNX - White

Order codes are referred only to switches without frames.



DockingStation

Webserver Supervision



KNX control for Apple IOS and Android devices



DOCKING STATION - iPad Air 2 / iPad Pro 9,7" & iPad mini 2

Docking Station can hold and charge your iPad.
Without any visible cables you can power your Docking Station by an inwall power supply.

Applications

Webserver Supervision

Lighting

Metering

Shutters

HVAC

Scenarius



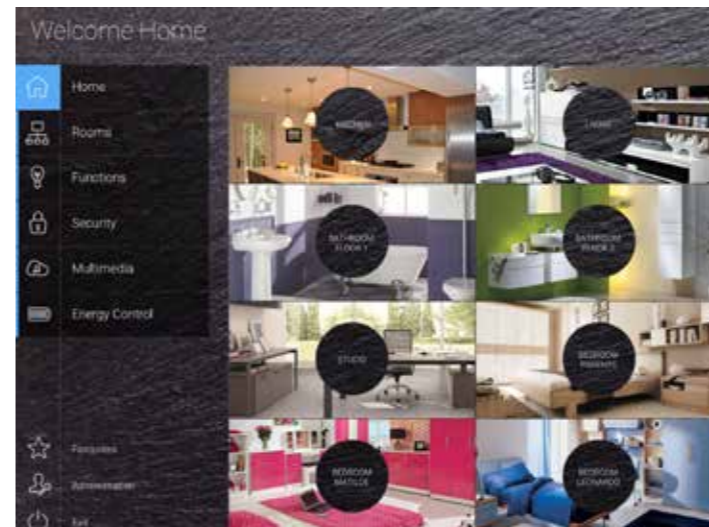
Alarms

Sensors

Weather

IP Intercoms

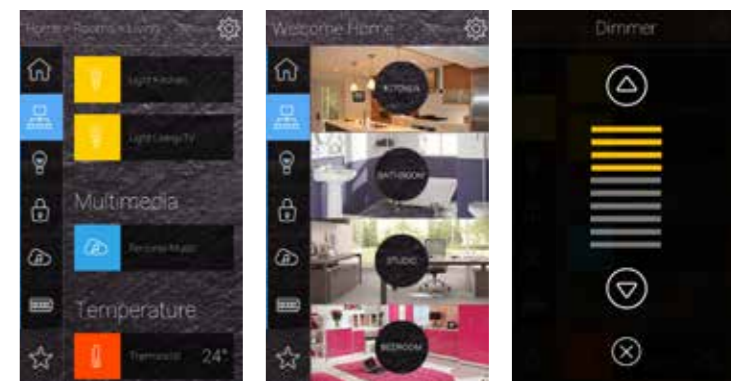
IP Camera



Security

TV

Audio & Video Systems



Order Codes

* Lightning/USB cable included



Docking Station for iPad Air 2/iPad Pro 9.7 Metal*
DS00A60ACC



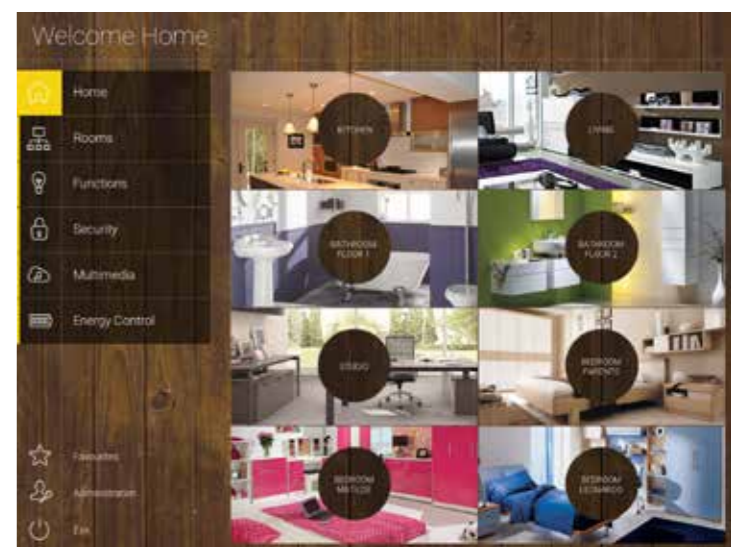
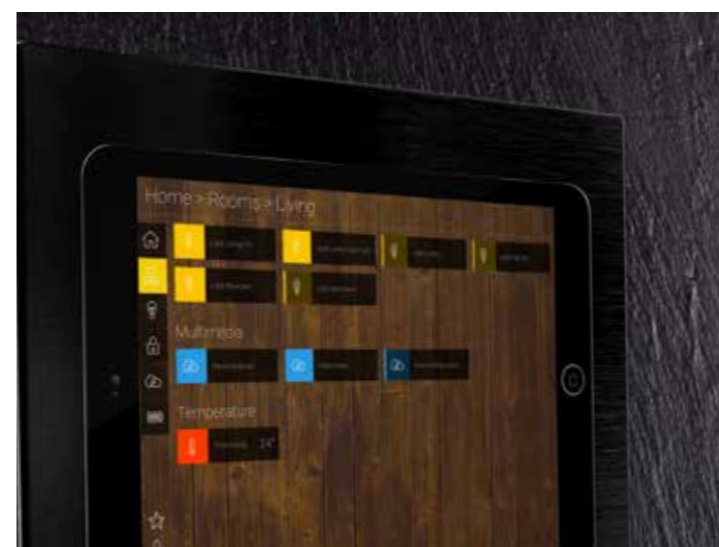
Docking Station for iPad Air 2/iPad Pro 9.7 Metal - Black*
DS00A62ACC



Docking Station for iPad Mini 2 Metal*
DS00B60ACC

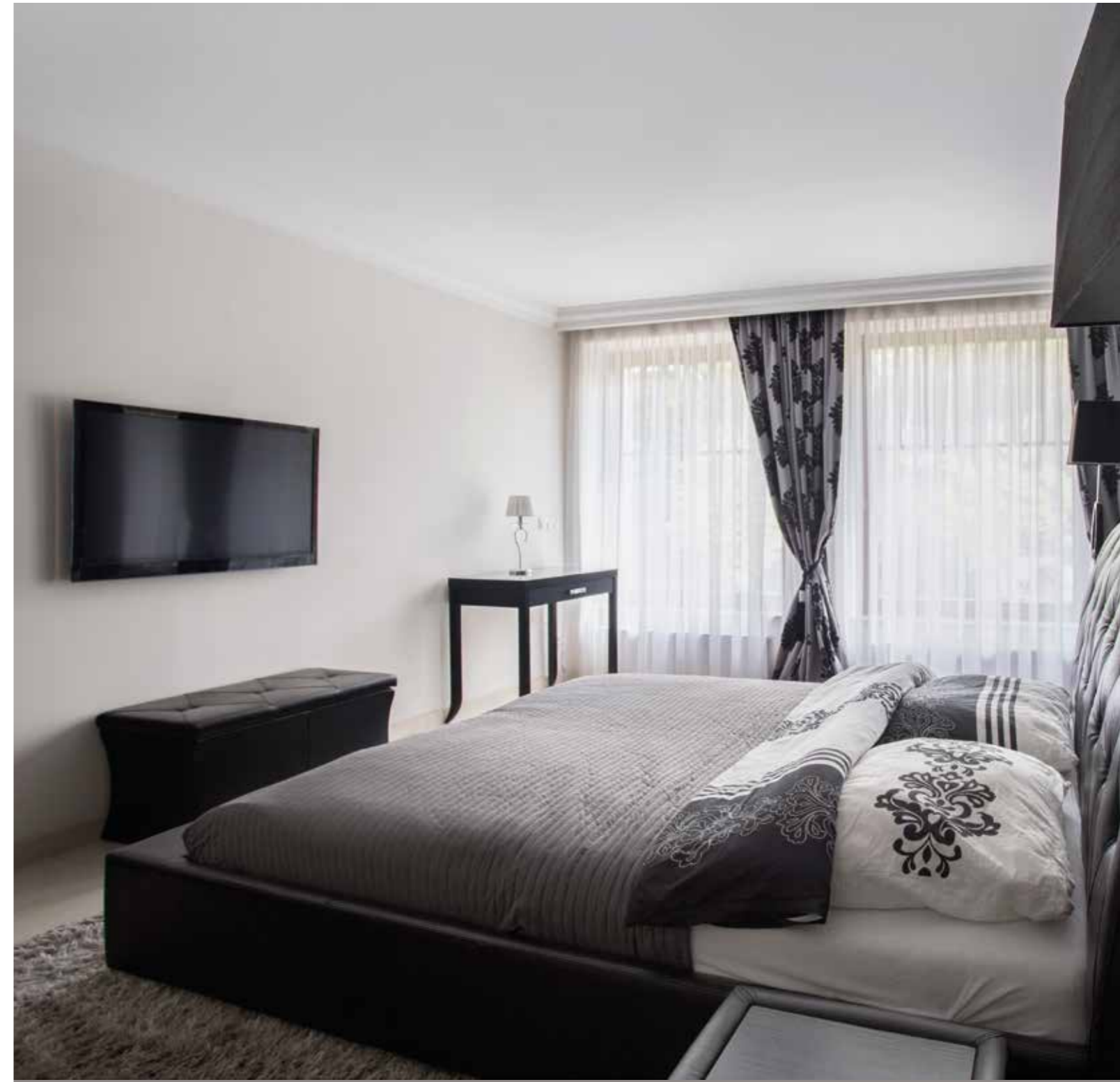


Docking Station for iPad Mini 2 Metal - Black*
DS00B62ACC



Synchronicity

Synchronise events - Synchronise colours



HotelManagement

More than 25.000 rooms installed worldwide.

Synchronicity is a range of products working on **KNX** standard, dedicated to hotel's guest room management.

All the range is for both 2 modules round and squared inwall boxes or for 3 modules boxes.

The solution is integrated with eSuite software management tool and products for temperature and HVAC control, lighting and load management (input and output modules, digital/analog mixed modules, dimmers and shutters modules), visualization and control (touch panels, PDA), communication (gateways vs other protocols)



GRMS

Since our everyday living requires energy saving and cost control

Architects, designers and planners, follow our conception of home evolution and building automation.

Environmental needs are changing the standards of project design, with performing and challenging goals that require efforts to deliver to your clients long lasting economy and comfort values. Following this effort, we have developed multifunctional applications starting from **KNX** technology: an open standard, programmed from a unique software tool, able to join independent systems in an interworking logic.

Used by many customers worldwide, our solutions combine aesthetic design, high performances and friendly usability for end users and professionals.



- Single or multiple lighting control
- Heating and air conditioning
- Blind and shutters control
- User dependent management of areas and functions
- Temporized and advanced scenarios
- Access Control
- Audio/Video system integration
- Alarms and Video Surveillance
- Intercom Audio and Audio/Video system

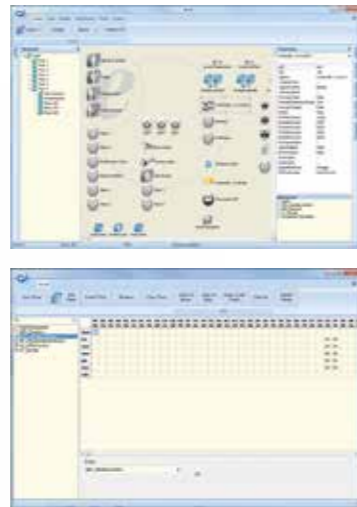
Since we want to live in an homy and environmental world



What are we delivering to our clients?

Integration	HVAC System BMS System Billing (Fidelio, etc.) Lights (DMX, Dali.)
Room and Building Automation	Access Control Energy Saving Temperature Control Lighting Control Automation Shutter Control Services External Areas Control Common Areas Management Special Functions (music/co2/energy metering etc.)
Supervision	Automation Check in /Check out Supervision Room and Common Areas Control Pre-Heating Functions Alarm Log Transit Log Room to Clean

Software dedicated to supervision of **KNX** installation, hotel management and acces control, alarms and utilities. **Modular, Flexible, Evolved.**



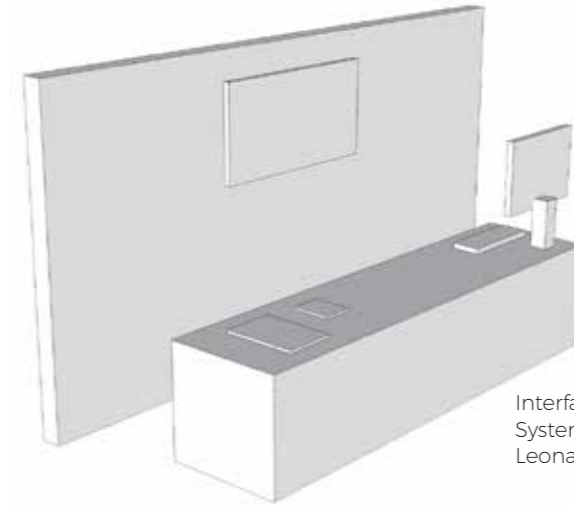
eSuite SW Management

GRMS

Reception

HVAC
BMS
↓
Mitsubishi
Daikin
Toshiba
Sanyo
Tac
Siemens
ecc.

Gateway for bidirectional communication



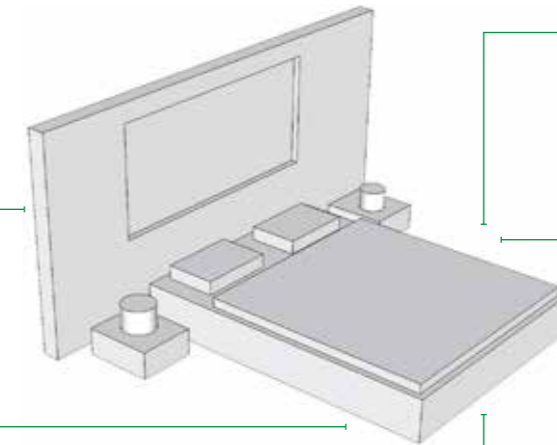
Interface to management System (Micros Fidelio, Leonardo, ecc)



Standard Room

Transponder Holder
· Bathroom Alarm
· Reset Alarm
· Light ON/OFF
· Loads ON/OFF

Transponder Reader
· Door Strike
· M.U.R.
· Door Lock control
· Courtesy Light



Thermostat
· Tv Socket Control
· Window contact

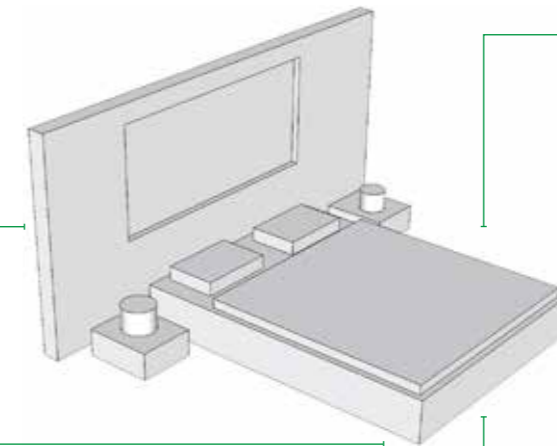
4IN/4OUT Universal
· Minibar control
· Room light
· 3 speed Fan coil

4IN/4OUT LED
· Do Not Disturb
· Service Call

Suite

Transponder Holder
· Bathroom Alarm
· Reset Alarm
· Light ON/OFF
· Loads ON/OFF

Transponder Reader
· Door Contact
· Room charge status
· Door Lock control
· Courtesy Light



Bed Side Panels

8IN/8OUT
· Lights
· Minibar contact
· Shutters management
· 3 Speed Fan coil
· 2/4 Pipes system
· Hot/Cold Valves
· TV Socket control

PLEXIGLASS RANGE

GLASS RANGE



Transponder reader Silver **TR22A09KNX**



Transponder holder Silver **TH22A09KNX**



Transponder reader Black **TR22A19KNX**



Transponder holder Black **TH22A19KNX**



Transponder reader White **TR22A29KNX**



Transponder holder White **TH22A29KNX**



Thermostat HVAC Silver **TM11C09KNX**



Thermostat HVAC Hotel Silver **TM10D09KNX**



Thermostat HVAC Black **TM11C19KNX**



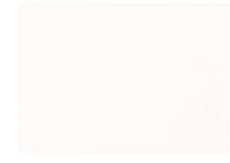
Thermostat HVAC Hotel Black **TM10D19KNX**



Thermostat HVAC White **TM11C29KNX**



Thermostat HVAC Hotel White **TM10D29KNX**



Glass **VT12** Oyster White



Glass **VT15** Black



Glass **VT23** Iron



Glass **VT24** Gold

COLORS	TM11C/TM10D	TR22A	TH22A
Silver	VT00A01ACC	VT00A02ACC	VT00A03ACC
Black	VT00A11ACC	VT00A12ACC	VT00A13ACC
White	VT00A21ACC	VT00A22ACC	VT00A23ACC

Glass cover for the codes:

TM11CxxKNX

TM10DxxKNX

TR22AxxKNX

TH22AxxKNX

For colour order number to insert in pos. 00

See the section glass colour range

CUSTOMIZATION

Customization on demand is possible for the frames (glass or plexi) for the codes TR22A and TH22A (es. Hotel Logo, number of room..).



Icons



Hotel Logo



Room number

GRMS



Thermostat HVAC

1 IN / 1 OUT - BASE

The TM11CxxKNX thermostat is an EIB / KNX device for controlling temperature applications in Home & Building Automation, and is characterized by the possibility of being installed on backboxes 2 or 3 modules rectangular or round. It is available in a range of colours for the plexiglass cover and glass cover (to be ordered separately), which allow you to match the thermostat to all types of environments. The thermostat features a large LCD for displaying the current temperature or the setpoint, fan speed, summer / winter mode and the 4 operating states. The unit is equipped with a physical ON / OFF input which can be used to interface a sensor for a window or some other devices, and an output relay to control the speed 1 of the fan coil or even a zone valve. The thermostat can also be configured for being used in combination with a switching actuator to control the three fan coil speeds. Control elements available for the user include two buttons for increasing or decreasing the setpoint temperature (current setting), and two buttons for increasing or decreasing the fan speed.

Technical features

Dimensions

· (H. x W. x D.) 78 x 110 x 39,8 mm

Mounting

· Inwall mounting on squared or round boxes

Connections

· EIB / KNX bus connecting terminal max 0,8 mm²

· Input screw clamp, conductor section max. 1,5 mm²

· Output relay screw clamp, conductor section max. 1,5 mm²

Supply

· From KNX bus 21.32 V DC SELV

Input Features

· 1 ON/OFF dry contact

· Max length of connection: 10mt twisted cables

· Scanning power In with locked contact =

1mA for channel

Output Features

· Capacity of the relay contact 48 Vac, 1A AC1

Order code

TM10D01KNX

Thermostat Hotel HVAC 1 IN - Light Gray

TM10D11KNX

Thermostat Hotel HVAC 1 IN - Black

TM10D21KNX

Thermostat Hotel HVAC 1 IN - White

Codes referred without glass or plexi frame.



Thermostat Hotel

HVAC 1 IN - BASE

The TM10DxxKNX thermostat is an EIB/KNX wall mounting device designed for HVAC applications in Home and Building installations (i.e. offices, hospitals, hotels, private houses, etc.). The device is equipped with one binary input (potential free contact) that can be used, for instance, to start/stop the HVAC units when a window has been opened (or closed) or for a general purpose usage. The thermostat features a large LCD for displaying the current temperature or the setpoint, fan speed, summer / winter mode and the 4 operating states. The unit is equipped with a physical ON / OFF input which can be used to interface a sensor for a window or some other devices, and an output relay to control the speed 1 of the fan coil or even a zone valve. The thermostat can also be configured for being used in combination with a switching actuator to control the three fan coil speeds. Control elements available for the user include two buttons for increasing or decreasing the setpoint temperature (current setting), and two buttons for increasing or decreasing the fan speed.

Technical features

Dimensions

· (H. x W. x D.) 78 x 110 x 39,8 mm

Mounting

· Inwall mounting on squared or round boxes

Connections

· EIB / KNX bus connecting terminal max 0,8 mm²

· Input screw clamp, conductor section max. 1,5 mm²

Supply

· From KNX bus 21.32 V DC SELV

Input Features

· 1 ON/OFF dry contact

· Max length of connection: 10mt twisted cables

· Scanning power In with locked contact =

1mA for channel



Transponder Reader

2 IN / 2 OUT - BASE

The Transponder Reader TR22AxxKNX is an EIB/KNX wall mounting device suitable to access control applications. This device can be used in any kind of building (Hotel, Hospital, Offices, Parking, etc..) where the access control application is required. The device is equipped with two binary inputs (dry contacts) that can be used, for instance, to control the door status or other signals coming from external switches/contacts (i.e. windows, bathroom emergency alarms, etc..). The transponder reader is equipped also with two output relays which can be used for general purposes, typically to open the door or turning on the courtesy light inside the room. The product provides on the front side four LEDs in order to enlighten 4 icons to display the following states (e.g. in case of Hotel management):

- SOS request
- Service Call (clean room, etc..)
- Client status ("Busy room" or "Do not Disturb")

The LEDs and icons can be configured in association with other alarms or events. The transponder reader can read cards or keys at a maximum distance of 30mm from the front side.

Order code

- TR22A01KNX**
Transponder reader 2 IN - 2 OUT Light gray
- TR22A11KNX**
Transponder reader 2 IN - 2 OUT Anthracite
- TR22A21KNX**
Transponder reader 2 IN - 2 OUT White

Codes referred without glass or plexi frame.

Technical features

Dimensions

- (H. x W. x D.) 78 x 110 x 37 mm

Mounting

- Inwall mounting on squared or round boxes

Connections

- EIB / KNX bus connecting terminal max 0.8 mm²
- Input and output screw clamps, conductor section max. 1.5 mm²

Supply

- From bus KNX 21.30 Vcc SELV
- Supplementary 12-24V AC/DC ± 10% 150mA Max

Control elements

- 1 red LED for ETS programming
- Frontal signalling
- 1 LED : Access denied /allowed
- 3 LED : freely configurable

Input Features

- 2 type ON/OFF clean contacts
- Max lenght of connection cable 10m

Output Features

- Number 2 with capacity of the contact relay: 24 VAC/DC 2 A AC1

Transformers for Access Control

Codes	DIN	Supply	Output
PS00T10TRA	2 Mod	230 VAC	12/24 VAC 10VA
PS00T24TRA	3 Mod	230 VAC	12/24 VAC 24VA
PS00T40TRA	3 Mod	230 VAC	12/24 VAC 40VA



GRMS

Transponder Reader

2 IN / 2 OUT

With Bell

The Transponder Reader TR32Ax9KNX is an EIB/KNX wall mounting device suitable to access control applications. This device can be used in any kind of building (Hotel, Hospital, Offices, Parking, etc..) where the access control application is required. The device is equipped with two binary inputs (dry contacts) that can be used, for instance, to control the door status or other signals coming from external switches/contacts (i.e. windows, bathroom emergency alarms, etc..) and with one frontal button freely configurable by ETS. The transponder reader is equipped also with two output relays which can be used for general purposes, typically to open the door or turning on the courtesy light inside the room. The product provides on the front side four LEDs in order to enlighten 4 icons to display the following states (e.g. in case of Hotel management):

- SOS request
- Service Call (clean room, etc..)
- Client status ("Busy room" or "Do not Disturb")

The LEDs and icons can be configured in association with other alarms or events. The transponder reader can read cards or keys at a maximum distance of 30mm from the front side.

Order code

- TR32A09KNX**
Transponder reader with bell 2 IN - 2 OUT - Silver
- TR32A19KNX**
Transponder reader with bell 2 IN - 2 OUT - Black
- TR32A29KNX**
Transponder reader with bell 2 IN - 2 OUT - White

Technical features

Dimensions

- (H. x W. X D.) 78 x 110 x 37 mm

Mounting

- Inwall mounting on squared or round boxes

Connections

- EIB / KNX bus connecting terminal max 0.8 mm²
- Input and output screw terminals, wire section max. 1.5 mm²

Supply

- KNX bus 21 .. 30 VDC SELV
- Additional 12-24V AC / DC ± 10%, 150mA max

Features

- 22 binary inputs for dry contacts
- Max length of connection cable 10m
- 2 relays, contact rating 24 VAC / DC, 2 A AC1

Control elements

- 1 red LED for ETS programming
- Frontal signaling
- 1 LED : Access denied /allowed
- 3 LED's : freely configurable

Inputs specifications

- Scanning power In with locked contact = 1mA per channel

Output Features

- Number 2 with capacity of the contact relay: 24Vac 2 A AC1
- 1 button for ETS programming

Transformers for Access Control

Codes	DIN	Supply	Output
PS00T10TRA	2 Mod	230 VAC	12/24 VAC 10VA
PS00T24TRA	3 Mod	230 VAC	12/24 VAC 24VA
PS00T40TRA	3 Mod	230 VAC	12/24 VAC 40VA



Transponder Reader

2 IN / 2 OUT - BASE
External

The Transponder Reader TR22AxxKNX is an EIB/KNX wall mounting device suitable to access control applications. This device can be used in any kind of building (Hotel, Hospital, Offices, Parking, etc..) where the access control application is required. The device is equipped with two binary inputs (dry contacts) that can be used, for instance, to control the door status or other signals coming from external switches/contacts (i.e. windows, bathroom emergency alarms, etc..). The transponder reader is equipped also with two output relays which can be used for general purposes, typically to open the door or turning on the courtesy light inside the room. The product provides on the front side four LEDs in order to enlighten 4 icons to display the following states (e.g. in case of Hotel management): · Access Allowed/Not Allowed · SOS request · Service Call (clean room, etc..) · Client status ("Busy room" or "Do not Disturb") The LEDs and icons can be configured in association with other alarms or events. The transponder reader can read cards or keys at a maximum distance of 30mm from the front side. IP Protection 42.

Technical features

Dimensions

- (H x W x D) 78 x 110 x 37 mm

Mounting

- Inwall mounting on squared or round boxes Ø60mm

Connections

- EIB / KNX bus connecting terminal max 0.8 mm²
- Input and output screw clamps, conductor section max. 1.5 mm²

Input Features

- 1 red LED for ETS programming
- Frontal signalling
- 1 LED : Access denied /allowed
- 3 LED : freely configurable

Order code

TR22A11KNX-EXT

External Transponder Reader 2 IN - 2 OUT

Codes referred without glass or plexi frame.



Transponder Holder

2 IN / 2 OUT - BASE

The Transponder Holder TH22AxxKNX is an EIB/KNX wall mounting device suitable to access control applications. It can be used for detecting and monitoring the presence of guests or service staff in a room. The device is equipped with two binary inputs (dry contacts) that can be used, for instance, to control the door status or other signals coming from external switches/contacts (i.e. windows, bathroom emergency alarms, etc..). On the front of the transponder holder there is a blue light LED that is useful to help the guest to insert card in the device. Removing the card, after a programmable time, all the room services are switched off to preserve energy.

Technical features

Dimensions

- (H x W x D) 78 x 110 x 37 mm

Mounting

- Inwall mounting on squared or round boxes Ø60mm

Connections

- EIB / KNX bus connecting terminal max 0.8 mm²
- Input and output screw clamps, conductor section max. 1.5 mm²

Supply

- KNX bus 21 .. 30 VDC SELV
- Additional 12-24V AC / DC ± 10%, 150mA max

Input Specifications

- 2 ON/OFF dry contacts
- Max lenght of connection cable 10mt

Output Features

- 2 contact relays: 24VAC/DC 2 A AC1

Control Elements

- 1 blue guiding light
- 1 button for ETS programming

Order code

TE00A01KNX

Transponder Encoder



Transponder Encoder

The encoder is a device that writes / reads RFID tag. The device is surface mounting in on a 3 modules special box, equipped with a USB interface that also provide the power supply. The device is provided with a driver to allow writing and reading functionality.

Technical features

Dimensions

- H x W x D: 87 x 142 x 107 mm

Mounting

- Placed on desk

Connection

- USB type A connector

Power

- From the PC's USB port: 5V - 150mA

Communication

- USB 1.1

Warnings

- Blue light showing running process

Transformers for Access Control - for transponder readers and holder

Codes	DIN	Supply	Output
PS00T10TRA	2 Mod	230 VAC	12/24 VAC 10VA
PS00T24TRA	3 Mod	230 VAC	12/24 VAC 24VA
PS00T40TRA	3 Mod	230 VAC	12/24 VAC 40VA



Plexiglass Plate

for EXTERNAL TRANSPONDER READER 2 IN - 2 OUT

Plexiglass Plate for the code TR22A11KNX-EXT

Order code

PX15A14ACC

Plexiglass plate for External Transponder Reader 2IN - 2 OUT - Black

PX10A24ACC

Plexiglass plate for External Transponder Reader 2IN - 2 OUT - White



Transponder Cards and Key Holder

Order code

CD00A02TRC

Transponder Cards Blank - 50 pcs

CD00A03TRC

Transponder Cards Blank - 250 pcs

CD00B02TRC

Transponder Keyholder - 50 pcs

Dimensions and characteristics of the Card

- Complies with ISO 7810 (85.6 x 54 x 0.76 mm)
- Possibility of serigraphy on both sides (on request)
- Dual technology version (RFID and magnetic stripe on request)

Dimensions and characteristics of Key chains

- Dimensions and Material: ABS 38 x 34 x 6 mm
- Frequency: 125KHz-
- Temperature: from -10°C to 50°C



Esuite Software

ESuite software is dedicated for hotel management, for the supervision of KNX environments, access control and alarms. The software can be interfaced with BMS. Client remote management can be done via Internet or Ethernet. The package is available with Embedded PC including 2 clients.



Order code

SW00D04KNX

eSuite interface to management systems

SW01D05KNX

Embedded PC with eSuite

up to 10 rooms - complete - 2 clients

SW02D05KNX

Embedded PC with eSuite

up to 25 rooms - complete - 2 clients

SW03D05KNX

Embedded PC with eSuite

up to 40 rooms - complete - 2 clients

SW04D05KNX

Embedded PC with eSuite

up to 100 rooms - complete - 2 clients

SW05D05KNX

Embedded PC with eSuite

up to 150 rooms - complete - 2 clients

SW06D05KNX

Embedded PC with eSuite

up to 200 rooms - complete - 2 clients

SW07D05KNX

Upgrade rack PC

SW00D03KNX

eSuite additional client

SW00D04KNX

eSuite interface to management systems

Technical features

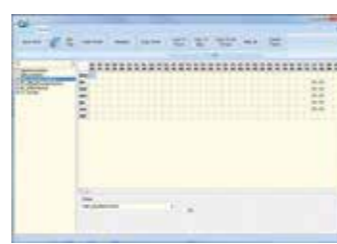
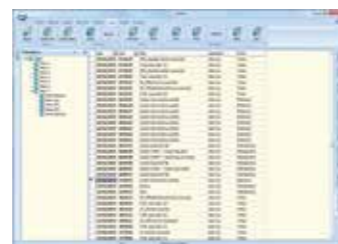
- Number of rooms / common area according to installed license.
- Client workstation according to installed license
- Profiling privileges unlimited
- Using KNX functions of timing events available

Generation KNX groups of objects available

- Automatically import object available from ETS KNX

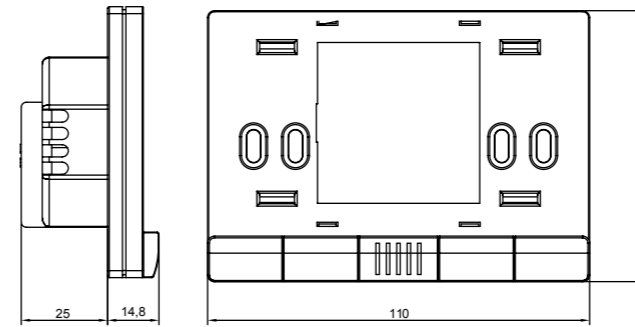
Automatically back up data available

- Use filters to search event logs available
- Export data into CSV files / XLS / DOC available
- Connection to the bus using Falcon library
- PMS connection available

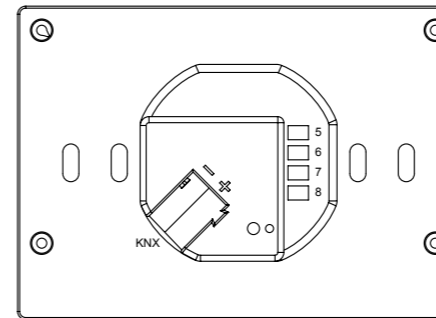


GRMS

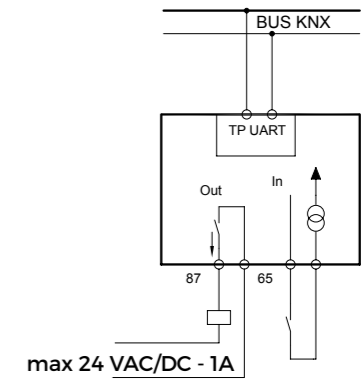
THERMOSTAT



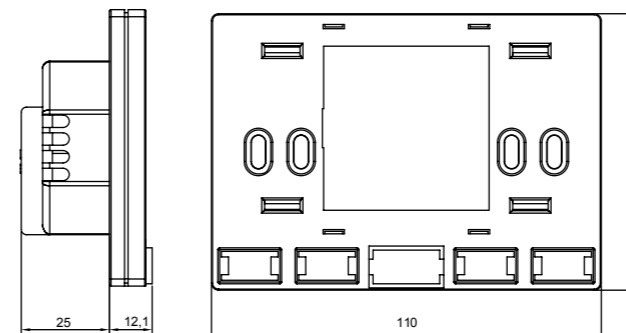
TM11C01KNX - TM11C11KNX - TM11C21KNX



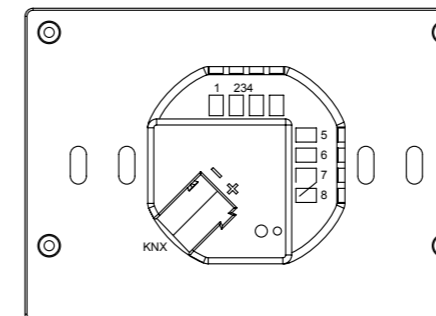
TM11C01KNX - TM11C11KNX - TM11C21KNX TM10D01KNX - TM10D11KNX - TM10D21KNX



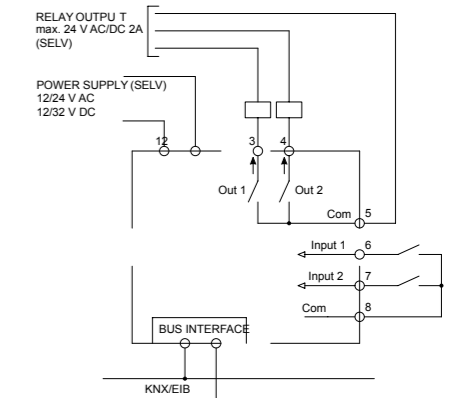
TRANSPONDER READER & HOLDER



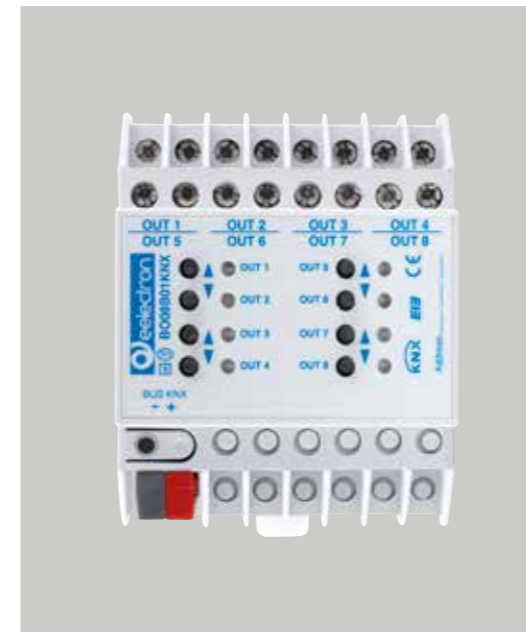
TR22A01KNX - TR22A11KNX - TR22A21KNX TH22A01KNX - TH22A11KNX - TH22A21KNX



TR22A01KNX - TR22A11KNX - TR22A21KNX TH22A01KNX - TH22A11KNX - TH22A21KNX



Actuators



- Light Management
- Climate Control
- Dimming
- Shutters Management
- Zwave
- DALI
- DMX
- Sensors and Metering
- System Components
- Interfaces

Universal actuator
4 OUT with
manual control

Universal actuator
8 OUT with
manual control

Universal actuator
12 OUT with
manual control

Dimmer 4 channels
RGB - White

Dimmer 4 channels
300 W

Actuators, Dimmers, Presence Sensors , System components

Actuators

Model	Installation	Outputs	Relè Rating	Digital Inputs	Load Control	Shutters Venetians Control	Fancoil 2 Pipes 3/2/1 Speed	Fancoil 4 Pipes 2/1 Speed	Fancoil 4 Pipes 3 Speed	Electric Valve	Motor Reductor Driver
BO04A	DIN RAIL	4	16 A		•	•				•	•
BO08A	DIN RAIL	8	16 A		•	•	•	•	•	•	•
BO12B	DIN RAIL	12	16 A		•	•					
BO08B	DIN RAIL	8	16 A		•	•					
BO04B	DIN RAIL	4	16 A		•	•					
IO44B	DIN RAIL	4	16 A	4	•		•	•			
IO44E	DIN RAIL	4	16 A	4	•	•				•	•
IO88B	DIN RAIL	8	16 A	8	•						
IO88E	DIN RAIL	8	16 A	8	•	•	•	•	•	•	•
IO32D	INWALL	2	10 A	2	•	•				•	



Push Button Interface

2 IN - 2 OUT LED / 4 IN - 4 OUT LED / 6 IN - 2 OUT LED

The device is dedicated to interface dry contacts with 2,4 or 6 input channels, such as sensors, conventional push buttons and 2 or 4 low voltage/current output channels to drive LED signal indicator lamps. These devices are extremely compact size (only 34 x 34 x 11 mm) and can also be used in installations where the inwall space available is reduced. The digital inputs can interface sensors, traditional buttons, etc; the 4 low-voltage output channels can drive LEDs for synoptic panels or switches. Outputs can drive low voltage LED; if possible use high-efficiency LED Eelectron cod. LD00A01ACC (blue color) or LD00A11ACC (white color). There are also 8 blocks of logic functions freely configurable by ETS (6 blocks available on IO62D01KNX). Device is equipped with KNX communication interface.

Order codes

- IO22D01KNX**
Push Button interface inwall
2 in - 2 led out module
- IO44D01KNX**
Push Button interface inwall
4 in - 4 led out module
- IO62D01KNX**
Push Button interface inwall
6 in - 2 led out module

Technical features

Dimensions

- (H x L x P) : 34 x 34 x 11mm
- Weight 38g

Mounting

Flush mounted wall box

Connection

- Inputs and outputs: 12-pin cable connector AWG24

Supply

- From the KNX bus 21 .. 31V DC SELV
- Current consumption from KNX <5mA

Specific inputs

- 2 or 4 or 6 digital inputs for dry contacts
- Maximum length 10 meters twisted cables
- Reading voltage : Vn = 3.3V

Specific outputs

- 2 or 4 outputs for driving LED
- Current / voltage for leds : 0.5mA / 3.3V

Dimmer

Model	Installation	Outputs	Output's characteristics
DM03B	DIN RAIL	3	300 W
DM03C	DIN RAIL	3	1-10 V
DM01D	DIN RAIL	1	700 W
DL04A	DIN RAIL	4	70 W
DM04A	DIN RAIL	4	300 W



RC01A01IRC
IRC Device



IR00A01ACC
IRX Cabling



TS01A01ACC
Temperature probe



TS01B01ACC
External temperature probe

Inwall Actuator

3 IN / 2 OUT

IO32D01KNX module includes: · 2 digital inputs · 1 analog input · 2 relay outputs (bistable). Digital inputs are intended to be connected to free potential contacts and can interface sensors, conventional push buttons, etc; they can be used for on/off controls, dimming, shutter control, scene recall and control, sequences of 3 objects. Analog input, can manage one temperature probe (with On/Off threshold) or one thermostats to control heating and cooling equipments, valves, 2 and 4 pipes fan coils; etc.. Analog input, alternatively to the temperature sensor, can manage a Infrared Receiver (IRX) in order to forward to the bus up to 8 functions coming from a Infrared Remote Control (IRC) with on/off commands, scenes, sequences of 2 objects, dimmers and shutters. Outputs include switching functions with timed delays, stair-case functions, scene recall, lock or logic functions.

Order code

- IO32D01KNX**
Inwall Actuator 3 IN / 2 OUT

Technical features

Dimensions

- (H. x W.) 52 x 28 mm

Digital Input

- For free potential contacts (dry contacts)
- Max. length of Connecting Cable: ≤ 30 m (twisted cable)
- Voltage Scanning: 3.3 V DC (internally Generated)
- AWG24 cables with 1800 mm length

Analog Input for temperature probe

- For NTC temperature probe Electron code
- TS01A01ACC (range from -20°C to +100°C)
- TS01B01ACC (range from -50°C to +60°C)
- Max. length of Connecting Cable: ≤ 20 m (twisted cable)

Supply

- Via bus EIB/KNX cable
- Voltage 21.30V DC
- Current Consumption EIB/KNX <10mA

Analog Input for Infrared Receiver (IRX)

- These accessories must be used:
- IR01A01ACC (IRX with cable and connector)
- RC80A01IRC (IR remote control 8 channels)

Outputs

- 10 A cos 1 - 230 Vac
- Max capacitance @230V: 21µF 5.000 cycles
- Incandescent lamps max load: 1500W 50.000 cycles
- Fluorescent lamps max load: 6 x18W 25.000 cycles
- Halogen lamps max load: 500W 50.000 cycles
- Gas discharge lamps max load: 200W 25.000 cycles



Push Button Interfaces

Model	Installation	Digital Inputs	Outputs LED	Analog Inputs
IO22D	INWALL	2	2	
IO44D	INWALL	4	4	
IO62D	INWALL	6	2	
AD84A	INWALL	8	4	4

Analog / Digital Interface

8 INPUT - 4 LED OUTPUT MODULE

AD84A02KNX module includes 4 digital inputs to interface dry contacts and 4 analog or digital inputs for dry contacts or temperature sensors and 4 led outputs. Digital inputs can interface sensors, traditional buttons, etc. 4 low voltage/current outputs channels to drive LED signal indicator lamps. Inputs 5 to 8, set as analog inputs, enable up to 2 temperature probes (with On/Off threshold) and 2 thermostats to control heating and cooling systems valves, 2 and 4 pipes fan coils.



TS01A01ACC
Temperature probe



TS01B01ACC
External temperature probe

Technical features

Dimensions

· (H. x W. x D.) 43 x 36 x 24 mm

12 Channels Configurable as:

- [01 ÷ 04] 4 digital inputs (dry contacts)
- [05 ÷ 08] 4 digital or analog inputs (for clean contacts or temperature sensors)
- [09 ÷ 12] 4 digital outputs (outputs for LED)

Digital Input - Features

- 8 channels [01 ÷ 08] for dry contacts
- Maximum length 30 m twisted wires - input [01 ÷ 04]
- Maximum length 10m of twisted wires - inputs [05 ÷ 08]
- Wired with 0,2 mm² - 18 cm length - inputs [01 ÷ 04]
- Connection through 6-pin screw terminal - inputs [05 ÷ 08]
- Blinds and shutters control
- Scenarios

Analog Inputs - Features

- 4 Channels [05 ÷ 08] Configurable as temperature sensor with Eelectron NTC sensor (cod.TS01A01ACC & TS01B01ACC)
- 2 Channels [05 ÷ 06] Configurable as thermostat

Digital Outputs - Features

- 4 outputs for driving LED 0.3 mA / channel
- Use with LED Eelectron (Code LD00A01ACC / LD00A11ACC)
- Wired with 0,2 mm² 18 WNG - inputs [01÷ 04]

Heating and cooling modes

- Controls with HVAC mode or setpoint
- Setpoint modification through KNX bus
- 2 points ON / OFF and PWM control algorithm
- 3-speeds fancoil control
- OFF mode on window open detection

Order code

AD84A02KNX

Push Button Interface 8 Input - 4 Led Output Module

Universal Actuator

4 / 8 OUT

The DIN RAIL 4 and 8 Output Modules BO04A01KNX - BO08A01KNX are EIB/KNX DIN rail mounting devices useful to interface loads (e.g. lamps) for any kind of application.

Devices have 4 or 8 outputs on board that can be configured:

- Each output can be configured independently for load control
- Each output can be configured independently for ON/ OFF or continuous switching (PWM) for Electric valves (solenoid actuators)
- Outputs can be configured in pairs for the management of roller shutters and blinds; up to 2 channels (Channels A to B)
- Outputs can be configured in pairs for management Of Motor Reductors or for solenoid valves with 3-point control or for ventilating grid; up to 2 or 4 channels (Channels A to B)
- Fan Coil Actuator for 2/4 pipes systems for Heating / Cooling with 3 speed motors (relays from 1 to 5) only for the model BO08A01KNX. Devices are intended to be installed on DIN rail.

Technical features

Dimensions

· (H. x W. x D.) 90 x 72 x 58 mm

Mounting

· 4 DIN modules

Connections

· Outputs: 2 screw connectors for channel max 4mm2

Supply

· From KNX bus 21.30 V DC SELV

Relay Output Features

- Resistive loads: max 16 A
- Incandescent Lamps: max 10 A
- Motors and motor reductors : max 10 A
- Fluorescent lighting transformer electronic: max 4 A
- Fluorescent lamps: (max 140 µF) max 3 A (700W)

Order code

BO04A01KNX

Universal Actuator 4 OUT

BO08A01KNX

Universal Actuator 8 OUT



Universal Actuator

4 - 8 - 12 OUT - MANUAL CONTROL

BOxxB01KNX are Din Rail 4-8-12 outputs 16 A actuators, they can be used to control up to 4-8 or 12 independent loads / lights , control up to 2-4 or 6 independent blind / roller shutters with mechanical end position. This device is intended to be installed on DIN rail.

Technical features

Dimensions

- (H. x W. x D.): 90 x 72 x 58mm - BO04B / BO08B
- (H. x W. x D.): 90 x 159 x 58mm - BO12B

Mounting

- 4 DIN modules - BO04B / BO08B
- 9 DIN modules - BO12B

Connections

· Outputs: 2 screw connectors for channel max 4mm2

Supply

· From KNX bus 21.32 V DC SELV

Order code

BO04B01KNX

Universal Actuator 4 OUT - Manual control

BO08B01KNX

Universal Actuator 8 OUT - Manual control

BO12B01KNX

Universal Actuator 12 OUT - Manual control

Relay Output Features

- Resistive loads: max 16 A
- Incandescent Lamps: max 10 A
- Motors & motoreductor: max 10 A
- Fluorescent light transformer electronic: max 4 A
- Fluorescent Lamps: (max 140 µF) max 3A (700W)

Universal Actuator

4 IN / 4 OUT

The DIN RAIL 4 Input / 4 Output Module IO44B02KNX-C is an EIB/KNX DIN rail mounting device useful to interface controls (e.g. push buttons) or loads (e.g. lamps) for any kind of applications.

The device is equipped with 4 binary inputs (dry contacts) and 4 relay outputs suitable for capacitive loads (-C load). Inputs can be configured for conventional switching devices, e.g. push buttons, switches, floating contacts, for switching functions with pulse edge evaluation (e.g. rising or falling edge, toggle, etc...). Inputs can be configured as output channels to drive LED for synoptic monitoring panels. Inputs can be used for switching, dimming, shutter control, scenarios; outputs include switching functions, scenarios, logic functions.

Outputs can act as interlocked channels; this function may be used to drive fan coils with 2-pipes / 3 speeds or 4-pipes / 2 speeds. Devices are intended to be installed on DIN rail.

Technical features

Dimensions

· (H. x W. x D.) 90 x 72 x 58 mm

Mounting

· 4 DIN modules

Connections

- Bus line, bus connecting terminal, wire max section 0,8mm²
- Outputs: 2 screw connectors for channel max section 4 mm²
- Inputs: 3 connectors every 2 inputs, max. section 4 mm²

Supply

· From KNX Bus 21.30 V DC SELV

Input Features

- 4 binary inputs for dry contacts
- Max length 30m twisted cables

Relay Output Features

- Resistive loads: 16 A Max
- Incandescent lamps: 10 A Max
- Motors and motor reductors: 10 A Max
- Fluorescent lighting transformer. Electronic: 6 A Max
- Fluorescent lamps (Max. 140 µ) (700W Max)



Universal Actuator

8 IN / 8 OUT

The DIN RAIL 8 Input / 8 Output Module IO88B02KNX-C is an EIB/KNX DIN rail mounting device useful to interface dry contacts (e.g. push buttons) or loads (e.g. lamps) for any kind of applications. The device is equipped with 8 binary inputs (dry contacts) and 8 relay outputs. Inputs can be connected to conventional switching devices, e.g. push buttons, switches, floating contacts, for switching functions with pulse edge evaluation (e.g. rising or falling edge, toggle, etc...). Inputs can be configured as output channels to drive LEDs for synoptic monitoring panels.

Inputs can be used for switching, dimming, shutters control, scenarios; outputs include switching function, scenarios, logic functions.

Relays from 5 to 8 are equipped with manual control and can be switched manually.

Device is intended to be installed on DIN rail.

Order code

IO88B02KNX-C
Universal Actuator 8 IN - 8 OUT C-Load

Technical features

Dimensions

· (H. x W. x D.): 90 x 72 x 58 mm

Mounting

· 4 DIN modules

Connections

· Bus Line: 2 terminals for bus connection, Max section 0,8mm²
· Outputs: 2 screw terminals for channel max. section 4 mm²
· Inputs: 3 screw terminals every 2 inputs, max. section 4 mm²

Supply

· From Bus KNX 21..30 V DC SELV

Input Features

· 8 binary inputs for potential-free contacts
· Max length 30m twisted cables

Relay Output Features

· Resistive load: 16 A Max
· Incandescent lamps: 10 A Max
· Motors and motor reducers: 10 A Max
· Fluorescent lighting transformer. Electronic: 6 A Max
· Fluorescent lamps (Max. 140 μ) 700W Max



Universal Dimmer

4 CHANNELS X 300W

DM04A01KNX is a KNX universal power dimmer 4-channels with automatic identification of load type and with settable parameters to optimize control of different lamps like LED, incandescent and halogen, CFL dimmable lights, low voltage lamps with electronic or ferromagnetic transformer. Each channel of DM04A01KNX can be used in one of the following configurations:

- Trailing Edge
- Leading Edge

Technical Features

Dimension

· Peso 230g ; (A x L x P) : 90 x 142 x 62mm

Mounting

· Barra DIN : 8 moduli

Connection

· Sezione cavo per alimentazione/carico : max 4 mm² – AWG 11

KNX Supply

· From KNX bus 21..31V DC SELV
· Current consumption from KNX ≤10mA

Supply

230Vac 50/60 Hz
When output is OFF : 4W max (1W x channel)
Dissipated power : 6.8W max (1.7W x channel)

Allowed loads

Incandescent or halogen lamps:
300W max - 230Vac 50/60Hz
Ferromagnetic transformer suitable for dimming with secondary winding closed on resistive load (Halogen lamps 12/24V):
200 VA max - 230Vac 50/60Hz
Electronic transformers with secondary winding closed on resistive load (Halogen lamps 12/24V):
300 VA max - 230Vac 50/60Hz
Dimmable LED Lamps :
60W max - 230Vac
Compact Fluorescent Lamps (ESL/CFL):
60W max - 230Vac



LED Dimmer

CV 4 CHANNELS KNX

DL04A01KNX is a dimming actuator for LED in DC with constant voltage (CV). The device allows to drive 4 independent channels or 1 RGB channel and 1 single color channel or 1 channel RGBW. Module can be powered from 12 to 48V DC and consequently can manage the outputs (LED strips) with voltage from 12 to 48V DC. The maximum current for each channel is 4A; the combination of two adjacent channels (eg. Channel 1 + 2 and / or channel 3 + 4 allows to handle loads up to 8A). The device includes a 16A relay, suitable for switching capacitive loads, that allows a complete shutdown of the external power supply when all loads are switched off (for example at night) ensuring the maximization of the energy saving. Available functions include block, logic, scenes, color sequences, etc .. Device is equipped with KNX communication interface.

Order code

DL04A01KNX
Led Dimmer CV 4 Channels KNX

Technical Features

Dimension

· (H x W x D) : 90 x 71 x 62 mm
· Weight 230g

Mounting

· DIN rail: 4 modules

Terminals

· Maximum wire gauge stranded : 2,5mm²

Supply

· From KNX bus 21..31V DC SELV
· Current consumption from KNX <5mA
· AUX input to supply LED's : 12..48 V DC ± 10%
· Current Consumption ≤16A

Output for LED

· PWM frequency: 200 / 260 / 400 Hz
· Over current protection: YES
· Over temperature protection: YES
· Reverse Polarity protection: YES



Multifunction Actuator

4 IN / 4 OUT - 8 IN / 8 OUT

The products IO44E01KNX & IO88E01KNX are an EIB/KNX DIN rail mounting devices useful to interface commands (e.g. push buttons) or loads (e.g. lamps) for any kind of applications. The devices are equipped with 4 or 8 binary inputs (clean contacts) and 4 or 8 binary relay outputs. Inputs can be connected to conventional switching devices, e.g. push buttons, switches, floating contacts, for switching functions with pulse edge evaluation (e.g. rising or falling edge, toggle...). Inputs can be configured with ETS SW, as output to drive Leds. Inputs can be used to for on/off commands, dimming, shutter control, scenarios; outputs include switching function, scenarios and control logic function.

Order code

IO44E01KNX
Multifunction Actuator 4 IN / 4 OUT

IO88E01KNX
Multifunction Actuator 8 IN / 8 OUT

Technical features

Dimensions

· (H. x W. x D.): 90 x 72 x 58 mm

Mounting

· 4 DIN modules

Connections

· Bus Line: 2 terminals for bus connection, Max section 0,8mm²
· Outputs: 2 screw terminals for channel max. section 4 mm²
· Inputs: 3 screw terminals every 2 inputs, max. section 4 mm²

Supply

· From Bus KNX 21..30 V DC SELV

Input Features

· 4 or 8 binary inputs for dry contacts
· Max length 30m twisted cables

Relay Output Features

· Resistive loads: 16 A Max - 230 VAC
· Incandescent lamps: 10 A Max
· Motors : 10 A Max
· Fluorescent lighting transformer 2 A Max
· Fluorescent lamps: use always an external counter



Universal Dimmer

1 CHANNEL 700 W - MASTER AND SLAVE

DM01D01KNX is a KNX power dimmer 1-channel acting as a MasterDimmertowhichyoucanconnectuptotwoSlaveModules (cod. DM01D01ACC) with identical characteristics to the Master power dimmer and connected to it by a local two wires bus. Dimmer DM01D01KNX can be used in one of the following configurations: Trailing Edge: The dimmer turns off part of the final part of the waveform of the input voltage resulting in reduced lamp output. This load regulation is used for resistive or capacitive loads (typically halogen lamps with electronic transformer or incandescent lamps). Leading Edge: The dimmer turns off part of the initial part of the waveform of the input voltage, resulting in reduced lamp output. This load regulation is used for inductive loads (typically ferromagnetic transformers or toroidal).

The three channels are independent and can therefore operate on different phases of the same three phase systems respecting the limit of 230Vac between phase and neutral.

Technical features

Dimensions

- (H. x W.x D.) 90 x 72 x 58 mm

Mounting

- 4 DIN modules

Connections

- Power supply & load cable : max 2.5 mm2 – AWG 14
- Local bus length: max 2m between 2 modules

Supply

- From KNX bus 21..32 V DC SELV
- AC: 230V 50/60 Hz

Output Features

- Incandescent or halogen lamps: 20-700 W
- Ferromagnetic transformer 20-700 VA
- Electronic transformer: 20-700 VA
- Dimmable LED Lamps :Max 160 W
- Compact flouorescent lamps (ESL/CFL): Max 160 W

Order code

DM01D01KNX

Universal Dimmer 1 Channel 700 W Master

DM01D01ACC

Universal Dimmer 1 Channel 700 W Slave



1-10V Dimmer

3 OUT

Dimmer used to control lighting circuits via a 1-10V connection, acting upon remote control dimmers or electronic ballasts. The device is intended to be installed on DIN rail.

Technical features

Dimensions

- (H. x W. x D.) 86 x 72 x 66 mm

Mounting

- 4 DIN modules

Connections

- Bus line: 2 bus connection terminals, max section 0,8mm²
- Outputs: 2 screw terminals for the relay contact and 2 for the change
- 1-10V, max section: 2.5 mm²

Supply

- From KNX bus 21 .. 30 VDC SELV

Specifications 1-10V relay outputs

- 3 power outputs with the following characteristics :
- Incandescent 230V Max. 2300W
- Halogen 2300W
- Halogen lamps with magnetic transformer 1500 VA

Order code

DM03C02KNX

1-10V Dimmer 3 OUT

- 1500W Halogen lamps with electronic transformer
- 1000W electronic ballast

Specifications 1-10V outputs

- 3 outputs 50mA Max.

Control Elements

- 1 button for programming ETS
- 1 button for setting the maximum value of brightness Max. or min.
- 1 button for manual control of each output

Indicators

- 1 red LED for programming ETS
- 3 output status LEDs



Universal Dimmer

3 CHANNELS X 300 W

The 3 channel Dimmer Module is designed to drive dimmable lighting with KNX bus and allows dimming of incandescent and halogen lamps of 230V. The product can control one (900 W), two (600+300 W) or three (3x300 W) independent lighting circuits. The device is intended to be installed on DIN rail.

Technical features

Dimensions

- (H. x W. x D.) 85 x 105 x 60 mm

Mounting

- 6 DIN modules

Connections

- Bus line: 2 bus connection terminals, section 0,8 mm²
- Outputs: 2 plug-in terminals for each channel section conductors from 0.75 mm² to 2.5 mm²

Supply

- From the KNX bus and power supply 230 V 50/60 Hz

Specific Outputs

- 3 power outputs with the following characteristics
- Power: 20 W to 300 W output with the possibility of coupling between them.
- Power consumption without load 5 W

Control Elements

- 1 button to set the maximum value of brightness Max. or Min.

- 1 button for manual control of each output

Indicators

- 1 red LED for programming ETS

Order code

DM03B02KNX

Universal Dimmer 3 Channels x 300W



Gateway

KNX/DALI

The DALI Gateway is an interface between a KNX installation and a DALI lighting system (Digital Addressable Lighting Interface). The DALI Gateway allows the switching and dimming of a maximum of 64 lights with a DALI operating device (e.g. electronic ballast).Up to 6 different addressing types of the DALI Gateway allow group-orientated and individually-address control of DALI lights via KNX telegrams. This allows the integration of room-specific light controls, for example, of open-plan offices, multipurpose spaces, production facilities, training and conference rooms into the higher-level of KNX building management. Depending on the configuration, up to 32 independent DALI groups are available for group addressing. For alternative control, these can be supplemented with 64 individually-addressable DALI device channels, as necessary. Optionally, master control of all connected DALI components is possible (broadcast). This means that there is no need to commission DALI, the lighting systems with few functions can be started up quickly and easily (simplified configuration without DALI commissioning). The DALI Gateway is supplied completely via the mains voltage connection and makes the DALI system voltage (typ. DC 16 V) available.The device is designed for mounting on DIN rails.

Order code

IC00P01DAL

Gateway KNX/DALI

Technical features

Dimensions

- (H. x W. x D.) 90 x 72 x 58 mm

Mounting

- 4 DIN modules

Connections

- 2 screw connectors by channel max 4mm²

Supply

- From KNX bus 21..32 V DC SELV
- AC: 110...240V (50/60 Hz)
- DC: 110...240V
- DALI: DC 16V

Output Features

- Control of up to 64 DALI devices
- Automatic ECC replacement
- Individual, group or central addressing
- Emergency lighting management
- Effect control for dynamic lighting effects or colour games
- Manual operation of the DALI groups
- Disabling function for each DALI group
- Operating hours counter



Presence Detector

LUX METER - FLUSH MOUNTED CEILING

The device is a presence and motion detector with integrated brightness sensor. The device communicates via KNX. It is designed for recessed-ceiling mounting.

Order code

PD00D01KNX
Presence Detector with Lux Meter
Flush Mounted Ceiling

Order code

IC00B01DMX
Gateway KNX-DMX

Technical Features

Dimension

- (H x W x D) : 58x87x87mm
- Weight 62g approx.

Mounting

Recessed-ceiling mounting

Connection

Bus terminal

Supply

- Via bus line
- Current drain approx. 10 mA

Presence detection

Type: Passive infrared (PIR) / 288 sectors for detection

Brightness measurement

Type: contrast measurement



Gateway

KNX - DMX

Interface between KNX bus and DMX512 bus. Combines devices for building automation with control devices dedicated to lighting and special effects. One-way gateway that receives telegrams from the KNX bus and data bus to DMX512. Scenarios of all 512 channels can be configured and managed with KNX group addresses.

Technical features

Dimensions

- (H. x W. x D.) 75 x 107 x 31 mm

Mounting

- 6 DIN modules

Operating Temperature

- -5 ° C / 45 ° C

Control Elements

- 3 x 16 potentiometers, stepper positions
- 1 button (user), 2 LEDs (user)
- 1 button programming for KNX and LED

KNX Power

- 21 - 30 V DC 150 mW

Programming

- Using the USB port

Supply

- 9-30V DC, 100mA, separated



Presence Detector

SURFACE MOUNTING WITH LUX METER

Presence sensor dedicated to KNX installations in offices, conference rooms, schools, hospitals etc.. Up to 4 different operating modes are possible: the first is standard semi-automatic or fully automatic mode (switching), the second is a semi-automatic or fully automatic mode with the constant adjustment of brightness (dimming), the third is slave mode, the fourth is a permanent adjustment of the light (control of light is not dependent on the presence). Two target values are set (specified in Lux) and a reference value remains fixed (specified in%). The values can be modified using a communication object. Reflectivity for a better adjustment to environmental conditions. HVAC channels activated by push button.

Order code

PD00C04KNX
KNX Presence Sensors - Surface Mounting

Order Code

TC17B01KNX
Fan Coil controller 0-10V

Technical features

Dimension

- 80 x 84,5 mm H - Model Code PD00C04KNX

Supply

- 24VDC to KNX / EIB-Bus Network

Detection area:

- 360 ° circular

Range (diameter) in meters:

- Sitting 4,00 m
- Movement away 10.0 m
- Movement approaching 6.0 m

Degree of protection:

- FM IP20 / Class II / EC
- Ambient temperature: -25 ° C to +50 ° C



Fan Coil Controller

0-10V

The Fan Coil Unit Controller is used to control fan coil units, floor heating or switch actuators. Depending on the design of the device, fan coil units are used in 2-pipe or 4-pipe systems. It controls up to 3 fan speeds (Relay or 0-10V outputs) as well as heating or cooling valves (Proportional or electrothermal valve) respectively. The mode of control is based on two-step control or a time-discrete PI controller with setpoint/actual value comparison. The valves and the fan can be regulated directly by devices via the closed loop of this controller. When the Fan Coil Unit Controller is used in floor heating, it can control up to seven channel. All of the floor heating channel control is used a time-discrete PI controller with setpoint / actual value comparison.

Technical Features

Dimension

- Peso 200g ; (A x L x P) : 90 x 72 x 66mm

Mounting

DIN rail : 4 modules

Connection

- Load circuits: screw terminal slotted head
- 0.2 ...4 mm² multi-core
- 0.4 ...6 mm² single-core

Supply

- From KNX bus 21.31V DC SELV
- Dynamic current consumption <20 mA
- Static current consumption <5 mA

Ingresso sensore temperatura

- Local sensor: digital sensor / max 7 sensors / max cable length 50m
- via KNX: 1 or 2 group objects

Outputs

- 5 relays outputs 10A cos φ 1 - 230V AC
- 2 analog outputs 0-10V DC 10mA for each channel



Energy Meter

SINGLE PHASE 63A-KNX

This Energy-meter provides the essential measurement capabilities required to monitor a single phase electrical installation.

- 0.25-5 (63) A, Class B, 230 VAC 50 Hz, -25 °C ... +55 °C, 4 Quadrants, 2 Tariffs.
- Active Energy Class B (according to EN-50470) and Reactive Energy Class 2 (according to IEC 62053-23)
- Direct connected (up to 63 A)
- LCD display and 3 push-button keys (to read Energies, V, I, PF, F, P, Q and to configure some parameters)
- 1 push button and 1 LED dedicated to KNX.
- Display with 8 digits.
- Self supplied (by the input voltage itself). Device is intended to be installed on DIN rail.

Technical Features

Dimension

DIN rail: 2 modules

Weight 175g : (H x W x D) : 90 x 36 x 70mm

Functionality

Connection to single-phase network (2-wires)

Tariff for active and reactive energy: n° 2 - T1 / T2

Supply

Power supply voltage 230V AC

Operating supply voltage range: 92 ... 276 V AC

Order code

PM10D01KNX

Energy Meter Single Phase 63A KNX

Reference current 5A / maximum current 63A / minimum current 0.25A / starting current 0.015A
Nominal frequency 50 Hz / frequency range: 45 ... 65 Hz
Max Power consumption (voltage circuit) <2VA (1W)

Overload

Permanent voltage 276 VAC / temporary (1 s) 300 VAC

Permanent current 63A / temporary (10 ms) 1890 A

Class II

SELV circuit



Power Supply

160 - 320 - 640 mA

Power supply for generating bus voltage on a line with a maximum current of 160, 320 or 640mA according to the model. With integrated choke to decouple the power supply voltage from the bus. Connection with screw terminals. Mounting on DIN rails EN 50022. Bus connection via bus terminal.

Technical features

Dimensions

· (H. x W. x D.) 90 x 72 x 58 mm for 160 & 320 mA codes

· (H. x W. x D.) 90 x 54 x 58 mm for 640 mA code

Mounting

· 4 DIN modules (PS00C01KNX & PS00B02KNX)

· 3 DIN modules (PS00B03KNX)

Connections

· Bus line connecting terminal, wire max section 0,8mm²

· Power supply 230V with plug-in terminals, cable max section 2,5mm²

· 230V AC, 50-60Hz

Supply

· 230V AC, 50-60Hz

Order code

PS00C01KNX

160 mA Power Supply

PS00B02KNX

320 mA Power Supply

PS00D03KNX

640 mA Power Supply

Output voltage

· 29 ± 1V DC

Output current / model

· Max 160mA, 320mA, 640mA with protection against short circuit

Control elements

· 1 switch to reset output power

Indicators

· 1 green LED for power bus

· 1 red LED for overload warning



Energy Meter

KNX - COMPACT - THREE PHASE 63A - THREE PHASE TA

This Energy-meter provides the essential measurement capabilities required to monitor a three phase electrical installation.

- Direct connected (up to 63 A) cod. PM30D01KNX or TA connection cod. PM30D02KNX
- LCD display and 3 push-button keys (to read Energies, V, I, PF, F, P, Q and to configure some parameters)
- 1 push button and 1 LED dedicated to KNX.
- Display with 8 digits.
- Self supplied (by the input voltage itself). Device is intended to be installed on DIN rail.

Order Codes

PM30D01KNX

Energy Meter Three Phase 63A KNX

PM30D02KNX

Energy Meter Three Phase KNX with TA connection

· Nominal frequency 50 Hz / frequency range: 45 ... 65 Hz
· Number of phases (wires) : 3 (4)
· Max Power consumption (voltage circuit) ≤2VA (0.6W)

Overload

· Voltage continuous phase-phase 480V AC / 1 second phase-phase 800V AC

continuous phase-N 276V AC / 1 second phase-N 300V AC

· Current cod. PM30D01KNX : continuous 63A / temporary (10ms) 1890A cod. PM30D02KNX : continuous 6A / temporary (0,5ms) 120A

· **PM30D01KNX**: permanente 63A / temporaneo (10ms) 1890A

· **PM30D02KNX**: permanente 6A / temporaneo (0,5ms) 120

· **PM30D02KNX**: max CT ratio 10000/5 A or 2000/1 : ratio adjusting step 5 or 1 A

· **PM30D02KNX**: max CT ratio 10000/5 A or 2000/1 : ratio adjusting step 5 or 1 A

· **PM30D02KNX**: max CT ratio 10000/5 A or 2000/1 : ratio adjusting step 5 or 1 A

· **PM30D02KNX**: max CT ratio 10000/5 A or 2000/1 : ratio adjusting step 5 or 1 A

· **PM30D02KNX**: max CT ratio 10000/5 A or 2000/1 : ratio adjusting step 5 or 1 A

· **PM30D02KNX**: max CT ratio 10000/5 A or 2000/1 : ratio adjusting step 5 or 1 A

· **PM30D02KNX**: max CT ratio 10000/5 A or 2000/1 : ratio adjusting step 5 or 1 A

· **PM30D02KNX**: max CT ratio 10000/5 A or 2000/1 : ratio adjusting step 5 or 1 A

Technical Features

Dimension

DIN rail: 4 modules

(H x W x D) : 90 x 72 x 70mm

Weight 412g

Functionality

· Connection to three-phase network (4-wires)

· Tariff for active energy: n° 2 - T1 / T2

Supply

· Reference voltage Line to Neutral: 230V AC

· Reference voltage Line to Line: 400V AC

· Operating supply voltage range: 92 ... 276 / 160 ... 480 V AC

· cod. PM30D01KNX : reference current 5A / maximum current 63A / minimum current 0.25A / starting current 0.015A

· cod. PM30D02KNX : reference current 1A / maximum current 6A / minimum current 0.01A / starting current 0.001A

· cod. PM30D02KNX : max CT ratio 10000/5 A or 2000/1 : ratio adjusting step 5 or 1 A

· cod. PM30D02KNX : max CT ratio 10000/5 A or 2000/1 : ratio adjusting step 5 or 1 A

· cod. PM30D02KNX : max CT ratio 10000/5 A or 2000/1 : ratio adjusting step 5 or 1 A

· cod. PM30D02KNX : max CT ratio 10000/5 A or 2000/1 : ratio adjusting step 5 or 1 A

· cod. PM30D02KNX : max CT ratio 10000/5 A or 2000/1 : ratio adjusting step 5 or 1 A

· cod. PM30D02KNX : max CT ratio 10000/5 A or 2000/1 : ratio adjusting step 5 or 1 A

· cod. PM30D02KNX : max CT ratio 10000/5 A or 2000/1 : ratio adjusting step 5 or 1 A

· cod. PM30D02KNX : max CT ratio 10000/5 A or 2000/1 : ratio adjusting step 5 or 1 A

Line Coupler

KNX

LC00A01KNX can be used as a line coupler to connect a line to a main line or as a backbone coupler to connect a main line to a backbone line. LC00A01KNX supports long messages (up to 250 bytes) and provides a configurable special function that can be activated by a frontal button which is very useful in commissioning / installing phase or during system tuning.

Technical features

Dimensions

· (H. x W. x D.) 80 x 36 x 58 mm

Mounting

· 2 DIN modules

Connections

· KNX/EIB bus terminal for main line and subline

Supply

· From KNX bus 21..32 V DC SELV

Control Elements

· 1 button: Programming for ETS

Indicators

· LED Bus Stat Main green - Off: main line error - On: main line ok

· LED Bus Stat Main red - On: manual overwrite active

· LED Bus Stat Sub green - Off: sub line error or not connected

On: sub line ok

· LED Traffic Main green - Blinking: bus traffic on main line Off: no traffic on main line

· LED Traffic Main green - Blinking: bus traffic on main line Off: no traffic on main line

· LED Traffic Sub green - Blinking: bus traffic on sub line Off: no traffic on sub line

· LED Traffic Main red - Blinking: transmission error on main line

· LED Traffic Sub red - Blinking: transmission error on sub line

· LED Group Address - Routing of group telegrams Off: main and sub different - Green: filter table active

Green and red: route all - Red: block

· LED Physical Address - Routing of physical addressed telegrams - Off: main and sub different

Green: filter table active - Green and yellow: route all - Yellow: block

Green: filter table active - Green and yellow: route all - Yellow: block

Green: filter table active - Green and yellow: route all - Yellow: block

Green: filter table active - Green and yellow: route all - Yellow: block

Green: filter table active - Green and yellow: route all - Yellow: block

Green: filter table active - Green and yellow: route all - Yellow: block

Green: filter table active - Green and yellow: route all - Yellow: block

Green: filter table active - Green and yellow: route all - Yellow: block

Green: filter table active - Green and yellow: route all - Yellow: block

Green: filter table active - Green and yellow: route all - Yellow: block



USB - IP - IP Router

INTERFACES

These devices allow the communication between computers, IP devices with the KNX bus system.

- KNX / USB 1.1 or 2 interface for direct connection to your computer
- KNX / IP interface for direct or LAN connection for programming or supervision of the KNX system.
- KNX / IP router, is used for connectionless and simultaneous transmission of KNX telegrams to several devices. It can also be used as a programming interface KNX bus system

Technical features

Dimensions

· (H. x W. x D.) 90 x 36 x 65 mm

Mounting

· 2 DIN modules

Connections for USB / KNX

- Bus line with bus connecting terminal, wire max section 0,8mm²
- USB type B socket

Connections for Interface IP - IP Router / KNX

- Bus line bus connecting terminal, wire max section 0,8mm²
- Additional power supply: 2-wire screw terminals with max section 4 mm²
- Network RJ45 LAN jack

Order code

IN00A02USB
USB / KNX Interface

IN00A02IPI
IP / KNX Interface

IN00A01RIP
IP ROUTER / KNX Interface



Miniature LED Lamps

3V BLUE OR WHITE

Packages of 20 or 60 pcs LED with Blue or White light 3V wired red / black.

Order code

LD00A01ACC
Miniature LED Lamps Blue 3V 20 pcs

LD00A02ACC
Miniature LED Lamps Blue 3V 60 pcs

LD00A11ACC
Miniature LED Lamps White 3V 20 pcs

LD00A12ACC
Miniature LED Lamps White 3V 60 pcs

Technical features

Dimensions

- 3 mm x 4.3 mm (width and height) and 3.85 mm (radius)
- Current: 20 mA
- Reverse Voltage: 5 V
- Luminous Intensity: 4000 Min - Max 9000mcd



KNX Wago Connector

RED / BLACK

BUS Connector Red / Black for EIB / KNX, with direct plug connection. They can be connected up to 4 pairs of wires to a KNX device, it can also be used as a branch terminal.

Order code

WG00A01ACC
KNX Wago Connector Red / Black Box 10 pcs

WG00A02ACC
KNX Wago Connector Red / Black Box 100 pcs

Technical features

Dimensions

· (H. x W. x D.) 11.5 x 10 x 10 mm

Features

· Wire 22 to 18 AWG (0.6 - 1 mm)

- EN detected voltage 100V
- Rated current 6A
- Stripping length from 5 to 6 mm

KNX

BUS CABLE

It is used for installation in "smart" building applications. Guarantees perfect communication in accordance with specifications established by EIB / KNX, and is suitable for applications with fixed wiring inside channels and under plaster.

Order code

CV00A01KNX
Double-bus cable 2x2x0, 8 coils 100mt

CV05A01KNX
Double-bus cable 2x2x0, 8 coils 500mt

CV10A01KNX
Double-bus cable 2x2x0, 8 coils 1000mt

CV00A02KNX
Single bus cable 1x2x0, 8 coils 100mt

CV05A02KNX
Single bus cable 1x2x0, 8 coils 500mt

CV05A02KNX
Single bus cable 1x2x0, 8 coils 1000mt

Technical features

Inner Conductor

· Solid bare copper wire

Construction

· 1 x 2 x 0,8 or 2 x 2 x 0,8 mm

Dielectric

· Low smoke zero halogen fire retardant compound (LSZHFRNC)

Colours

· Red, black or red, black, yellow, white

Outer Jacket

· Low smoke zero halogen fire retardant compound (LSZHFRNC)

Classified

· CEI 20-11 M1

According to

· IEC 60332-1, IEC 61034-1= IEC 61034-2

Diameter

· 5,20 mm ± 0,20 colour

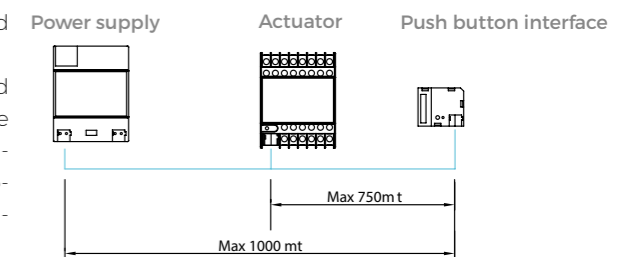
Colour

· Green (RAL 6018)

Bus Line Extension

The structure of a KNX installation comprises areas, lines and devices. Each line consists of a power supply that provides voltage (SELV 29V), and a maximum of 64 devices connected in any installation topology. More bus lines can communicate with each other through "Line / Area Couplers". To achieve coupling between 15 lines, you need to create an Area composed of a total of 960 devices: this can be coupled to a maximum of 15 other Areas.

A bus line can have a maximum length of 1,000m (considered as the sum of all segments in the line), and the maximum distance between the adapter and the farthest device or between two devices is 750 m.





AERMACCHI
BUILDING - VENEGONO
(ITALY)



EXPO 2015
BUILDING - RHO Milano
(ITALY)



GORANI PALACE
RESIDENTIAL - MILANO
(ITALY)



IRIS BLUE TOWER
RESIDENTIAL - DUBAI
(UNITED ARAB EMIRATES)



ATELIER RUBINACCI
BUILDING - MILANO
(ITALY)



INTERSUR RECOLETA
HOTEL - BUENOS AIRES
(ARGENTINA)



CAMPUS MONNERET
BUILDING - MILANO
(ITALY)



LORIS KESSEL AUTO SA
SHOWROOM - LUGANO
(SWITZERLAND)



THE PLAZA HOTEL
HOTEL - TIRANA
(ALBANIA)



V-ZUG SHOWROOM
SHOWROOM - SHANGHAI
(CHINA)



CROWNE PLAZA HOTEL
HOTEL - RYADH
(KINGDOM OF SAUDI ARABIA)



BRYGGJAN RESTAURANT
RESTAURANT - AKUREYRI
(ICELAND)





AL RAHA BEACH HOTEL
HOTEL - ABU DHABI
(UNITED ARAB EMIRATES)



VOX HOTEL
HOTEL - JONKOPING
(SWEDEN)



DIESEL HEADQUARTER
BUILDING - BREGANZE
(ITALY)



RADISSON BLUE HOTEL
HOTEL - DOHA
(QATAR)



HOTEL CATALONIA FIRA
HOTEL - BARCELONA
(SPAIN)



PLATOU CLARKSON OFFICES
BUILDING - OSLO
(NORWAY)



PRIVATE APARTMENT
RESIDENTIAL - Gdansk
(POLAND)



GUARDA GOLF
HOTEL - CRANS MONTANA
(SWITZERLAND)



ARPA HEADQUARTER
BUILDING - FERRARA
(ITALY)



DTU DANISH
TECHNICAL UNIVERSITY
BUILDING - COPENAGHEN
(DENMARK)



BD BACATÀ
BUILDING - BOGOTÀ
(COLOMBIA)



PARTE BASSA
VIALE STAZIONE
BUILDING - BELLINZONA
(SWITZERLAND)



Branch Offices:

Milan

Paris

Antwerp

Dubai

Beijing

Hong Kong

Details and functional specifications in this catalogue are subject to change without notice. The colors are indicative only. Despite checking that the contents of this document relating to hardware and software features of the product, we can not completely rule out the discrepancies. Eelectron is deemed exempt from any liability on the use of the information. Any necessary corrections will be included in the new versions of the manual. This catalogue can be freely downloaded from our website: www.eelectron.com.

Stay tuned!

To Download our Product Catalogue, User Manuals, Datasheet, Software or commercial informations visit our site:

www.eelectron.com

Subscribe to our newsletter





Eelectron SpA - Via Monteverdi 6
20025 Legnano - Milano - Italy
Tel +39 0331500802 - Fax +39 0331564826
info@eelectron.com
www.eelectron.com



Made in Italy