

Combiner/Divider, 4-Way

Advantages

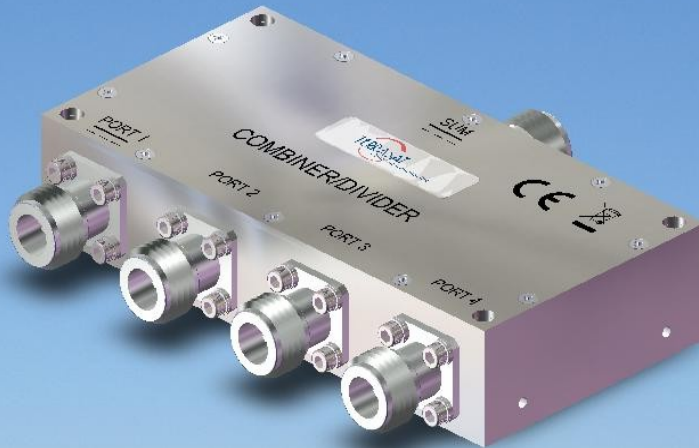
Package solution for multi-carrier operation.

One port passes DC, FSK, and 10 MHz reference signals, when present, from modem to IBUC; other ports block DC and 10 MHz to avoid interference.

Companion product for the IFU which multiplexes DC and/or 10 MHz reference when required.

Passive device in a compact package simplifies mounting and minimizes cable runs.

Choice of N-type (50 Ω) or F-type (75 Ω) connectors.



Terrasat's 4-Way Divider/Combiner provides a simple, compact solution for multi-carrier operations. This device is specifically designed for use with L-band modems and the Terrasat IBUC L-band Block Upconverter series.

Used as a combiner, the unit combines L-band signals from up to four modulators for use with a single L-band Block Upconverter. As a divider, the device splits a receive signal to feed up to four demodulators.

Port number one passes L-band along with DC power, FSK M&C, and 10 MHz reference signals when present. The other three ports pass only L-band avoiding interfering signals from the additional modems.

The Combiner/Divider can work in conjunction with the Terrasat IFU which provides the capability to inject DC power and/or 10 MHz reference on to the L-band Coax cable to the IBUC.

The Combiner/Divider mounts conveniently at the rear of a standard equipment rack.

A choice of connector options is available.

Combiner/Divider, 4-Way

Frequency Range:

Port 1:	L-band 950 to 2000 MHz
	DC
	FSK 580 to 720 kHz
	10 MHz
Ports 2, 3, and 4:	L-band 950 to 2000 MHz

Isolation: 18 dB min.

VSWR, L-band, all ports: 2:1

Splitter Loss 6 dB

Insertion Loss, 50 Ohm: 1.6 dB typ., 2.6 dB max.

Insertion Loss, 75 Ohm: 3.3 dB typ., 4.3 dB max.

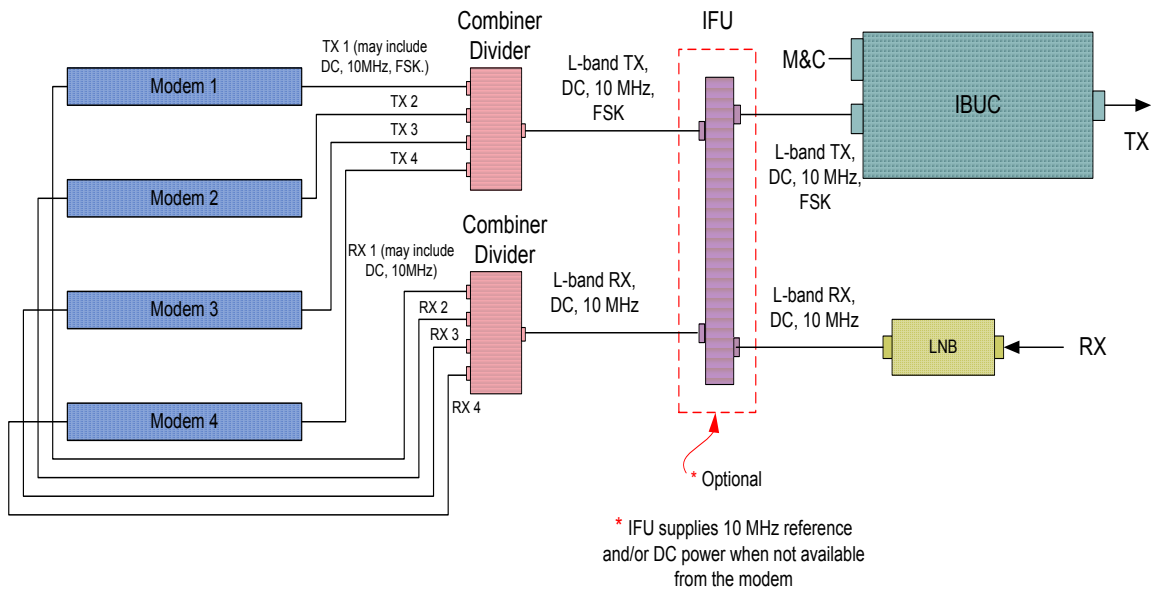
Amplitude Unbalance: 0.7 dB

Current Capacity: 6.0 A max.

Operating Temperature: 0 to 50°C

Dimensions: 5.0x2.5x1.0 inches

Connectors: N-type 50 Ohm, standard
F-type 75 Ohm, optional



Specifications are subject to change without notice

Comb/Div Data Sheet 2/1/14