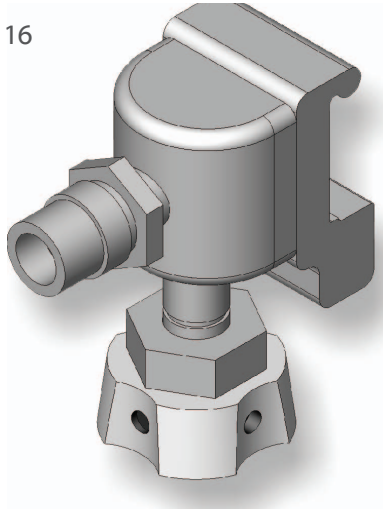




Single & Double Gas Blocks

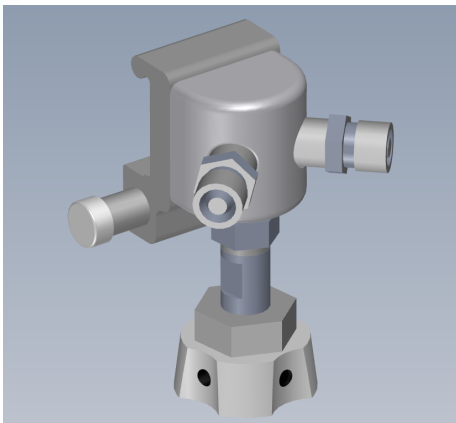
HAR-G116



Single Gas Blocks

Oxygen	HAR-G124
Vacuum	HAR-G122
Medical Air	HAR-G116
Nitrous Oxide	HAR-G104
Nitrogen	HAR-G112
Carbon Dioxide	HAR-G108

HAR-G216



Double Gas Blocks

Oxygen	HAR-G224
Vacuum	HAR-G222
Medical Air	HAR-G216
Nitrous Oxide	HAR-G204
Nitrogen	HAR-G212
Carbon Dioxide	HAR-G208